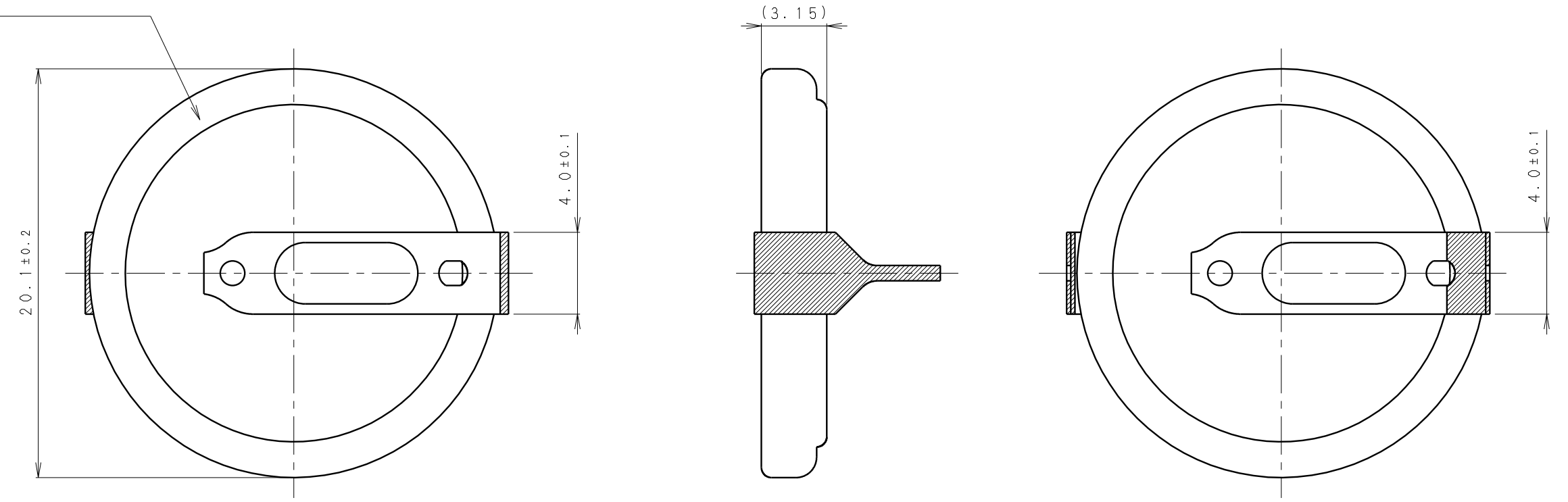
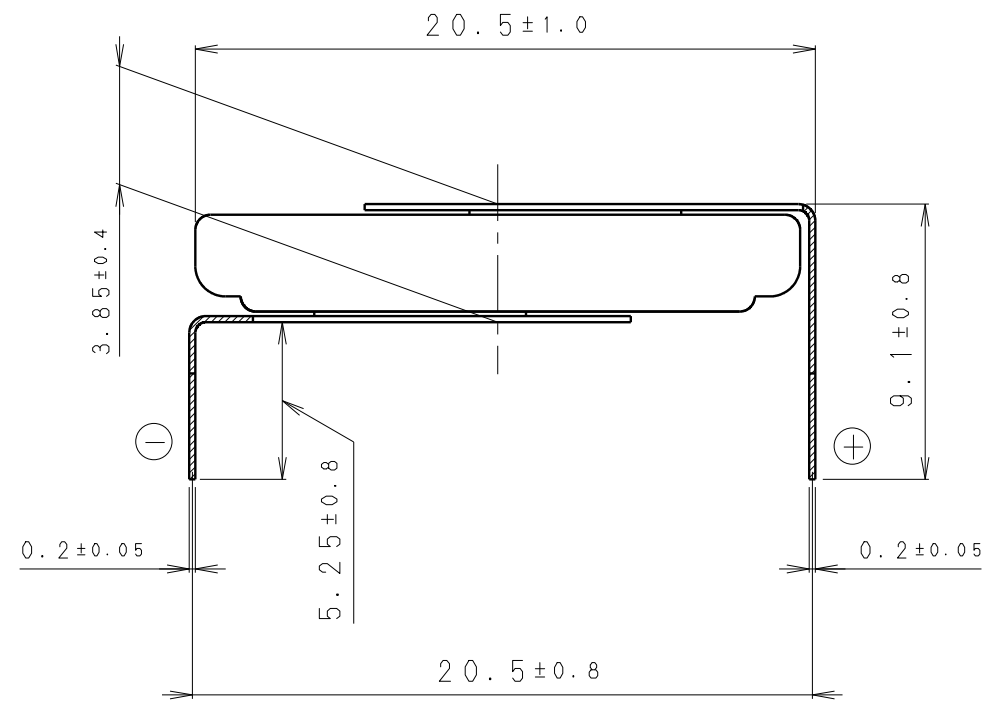
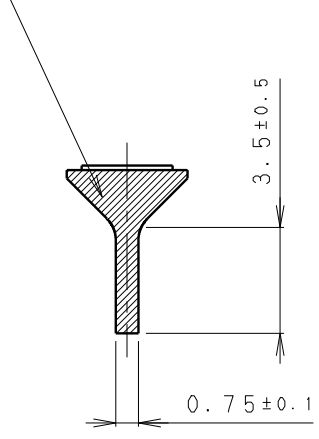


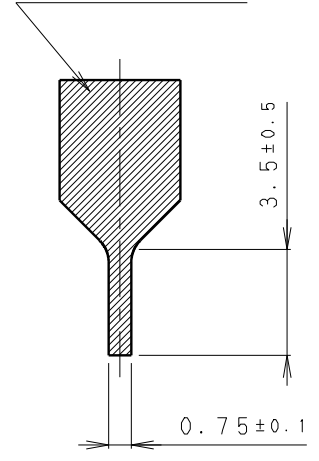
INSULATOR (YELLOW)
[Snメッキ]



TIN PLATING
[Snメッキ]



TIN PLATING
[Snメッキ]



* NOTE [注記]

1. TAB PULLING STRENGTH OVER 19.6N [端子溶接強度: 19.6N以上]
2. TAB MATERIAL: STAINLESS STEEL WITH TIN PLATING [端子材料: 基材 ステンレス/表面 部分Snメッキ]
3. (): REFERENCE DIMENSION AND ANGLE [() 寸法、角度は参考値]

PRODUCT NO.	CR-2032/HFN	SCALE	
		4:1	
DRAWING NO.	PMHA1Z	REV.	UNIT:mm
		0	