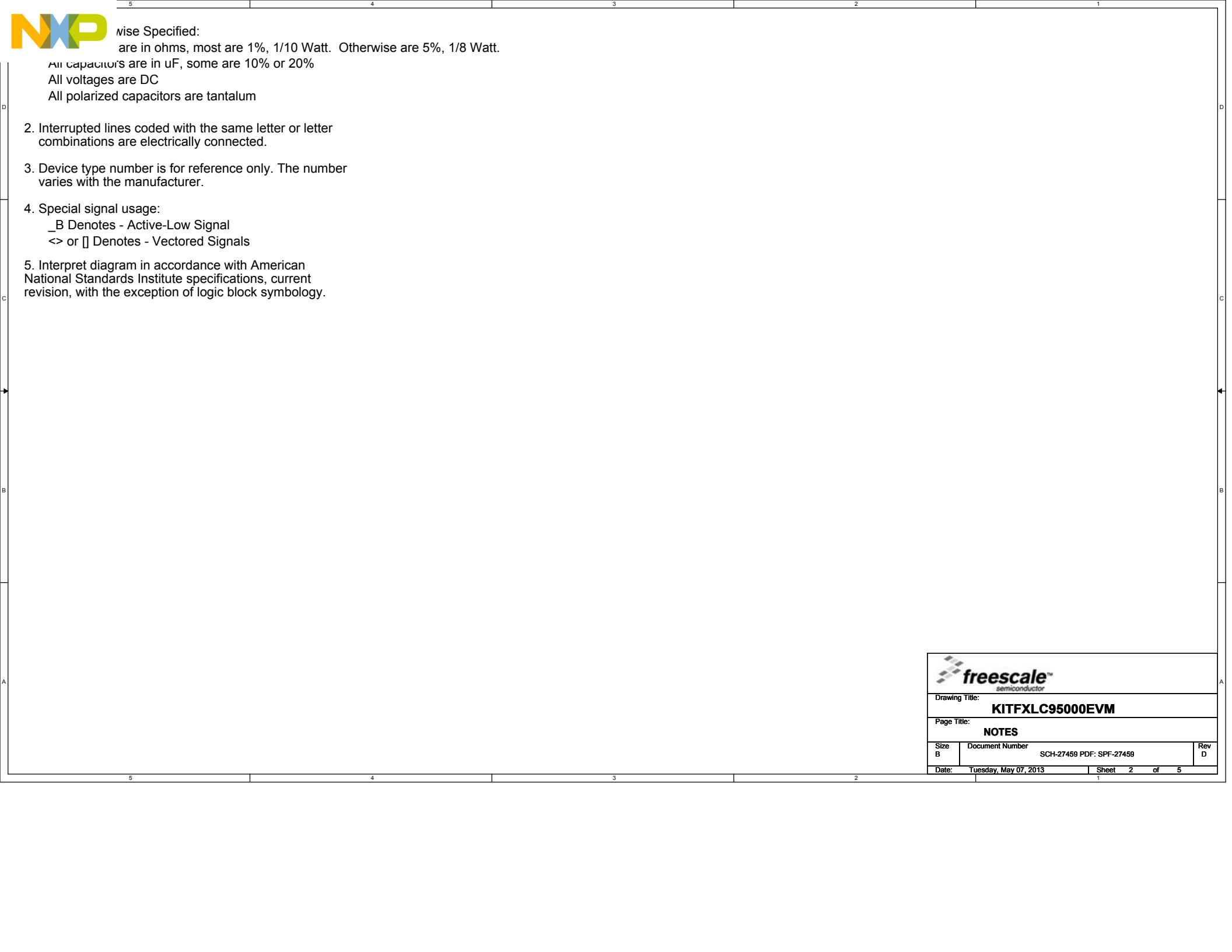




Table of Contents	
	Diagram
4	FXLC95000CL / MCU Circuit
5	Power and Battery Charger Circuit

Revisions		
Rev	Description	Date
A	Original Release	03-06-12
B	Remove signal line U6- pin 35 and add additional signal line between J11-pin10 and U6-pin 24. Change signal name on J11-10 from PDB_A to INT_0	10-16-12
C	SKIPPED	
D	Updated: PN for MCU (MCF51QE128CLH) and Sensor (FXLC95000CL) on pg3. Titel Page on Pg4. Table of Contents, item 4, on pg1.	06-07-13

		<b>RASG - Inertial</b> 2100 E. Elliot Rd Tempe, AZ 85284	
This document contains information proprietary to Freescale Semiconductor and shall not be used for engineering design, procurement or manufacture in whole or in part without the express written permission of Freescale Semiconductor.			
Designer: J.Scott		ICAP Classification: FCP: FIUO: PUBI:	
Drawing Title: <b>KITFXLC95000EVM</b>			
Drawn by: S. Mejia		Page Title: <b>Notes</b>	
Approved: J.Scott		Size B	Document Number SCH-27459 PDF: SPF-27459
Date: Tuesday, May 07, 2013		Rev D	Sheet 1 of 5

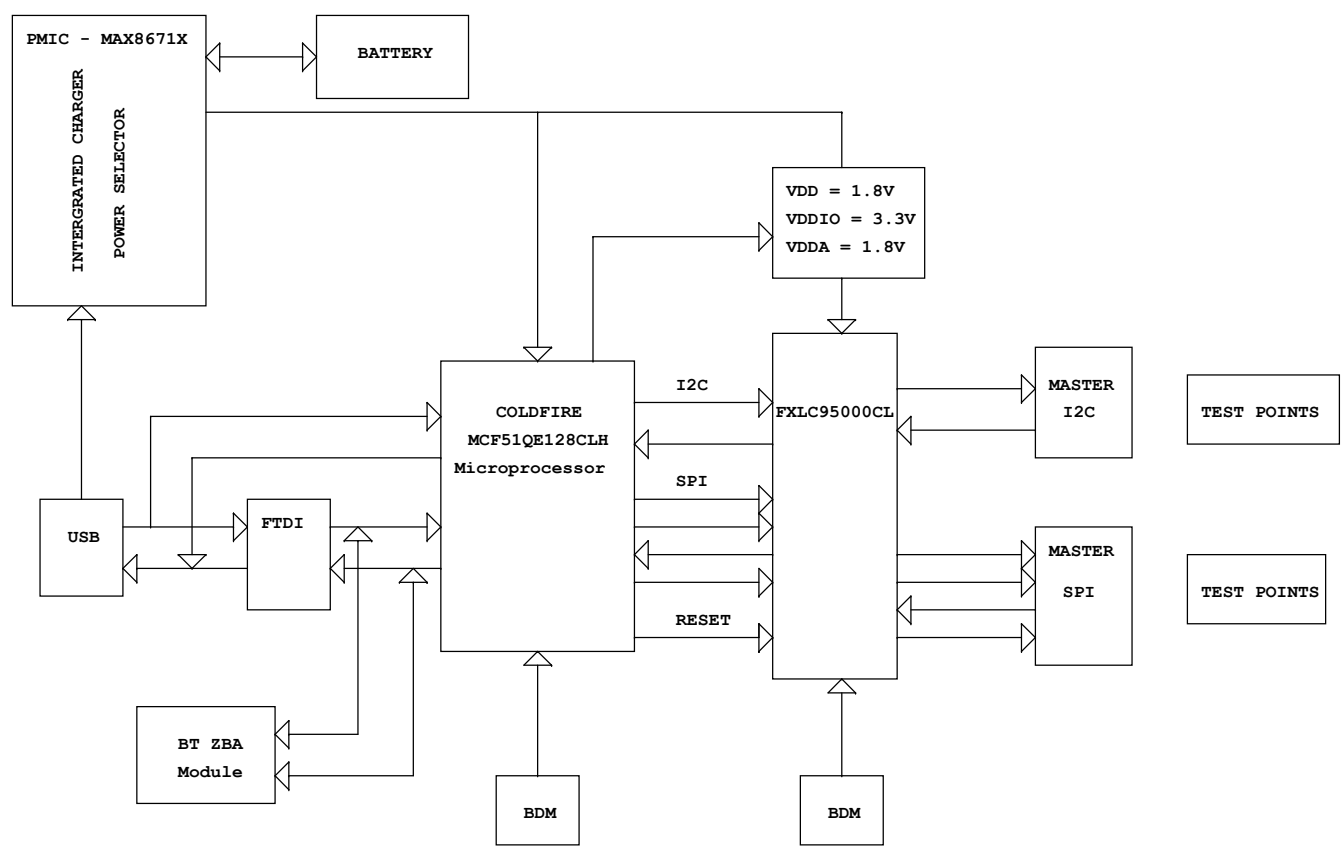


otherwise Specified:  
are in ohms, most are 1%, 1/10 Watt. Otherwise are 5%, 1/8 Watt.

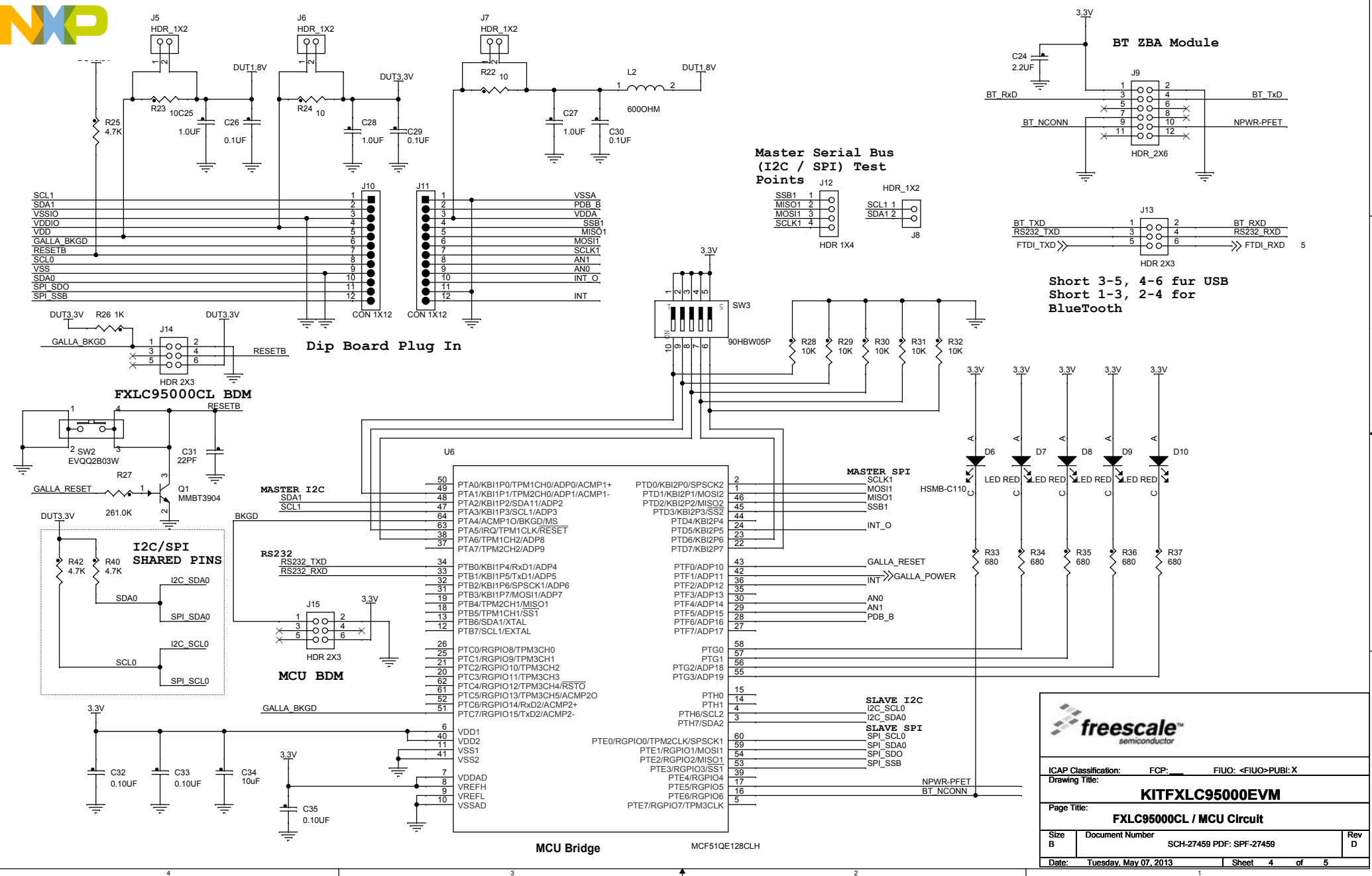
All capacitors are in uF, some are 10% or 20%  
All voltages are DC  
All polarized capacitors are tantalum

- 2. Interrupted lines coded with the same letter or letter combinations are electrically connected.
- 3. Device type number is for reference only. The number varies with the manufacturer.
- 4. Special signal usage:
  - \_B Denotes - Active-Low Signal
  - <> or [] Denotes - Vectored Signals
- 5. Interpret diagram in accordance with American National Standards Institute specifications, current revision, with the exception of logic block symbology.

Drawing Title:			
<b>KITFXLC95000EVM</b>			
Page Title:			
<b>NOTES</b>			
Size B	Document Number	SCH-27459 PDF: SPF-27459	Rev D
Date:	Tuesday, May 07, 2013	Sheet	2 of 5



Drawing Title: <b>KITFXLC95000EVM</b>		
Page Title: <b>Block Diagram</b>		
Size B	Document Number SCH-27459 PDF: SPF-27459	Rev D
Date: Tuesday, May 07, 2013	Sheet 3 of 5	



**freescale**  
semiconductor

ICAP Classification: FCP: \_\_\_\_\_ FIUO: <FIUO>PUBI: X  
 Drawing Title: **KITFXLC95000EVM**  
 Page Title: **FXLC95000CL / MCU Circuit**

Size B	Document Number	Rev D
	SCH-27459 PDF: SPF-27459	

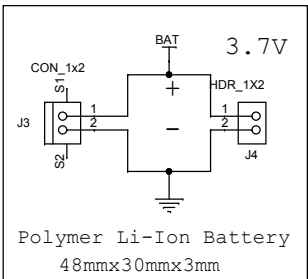
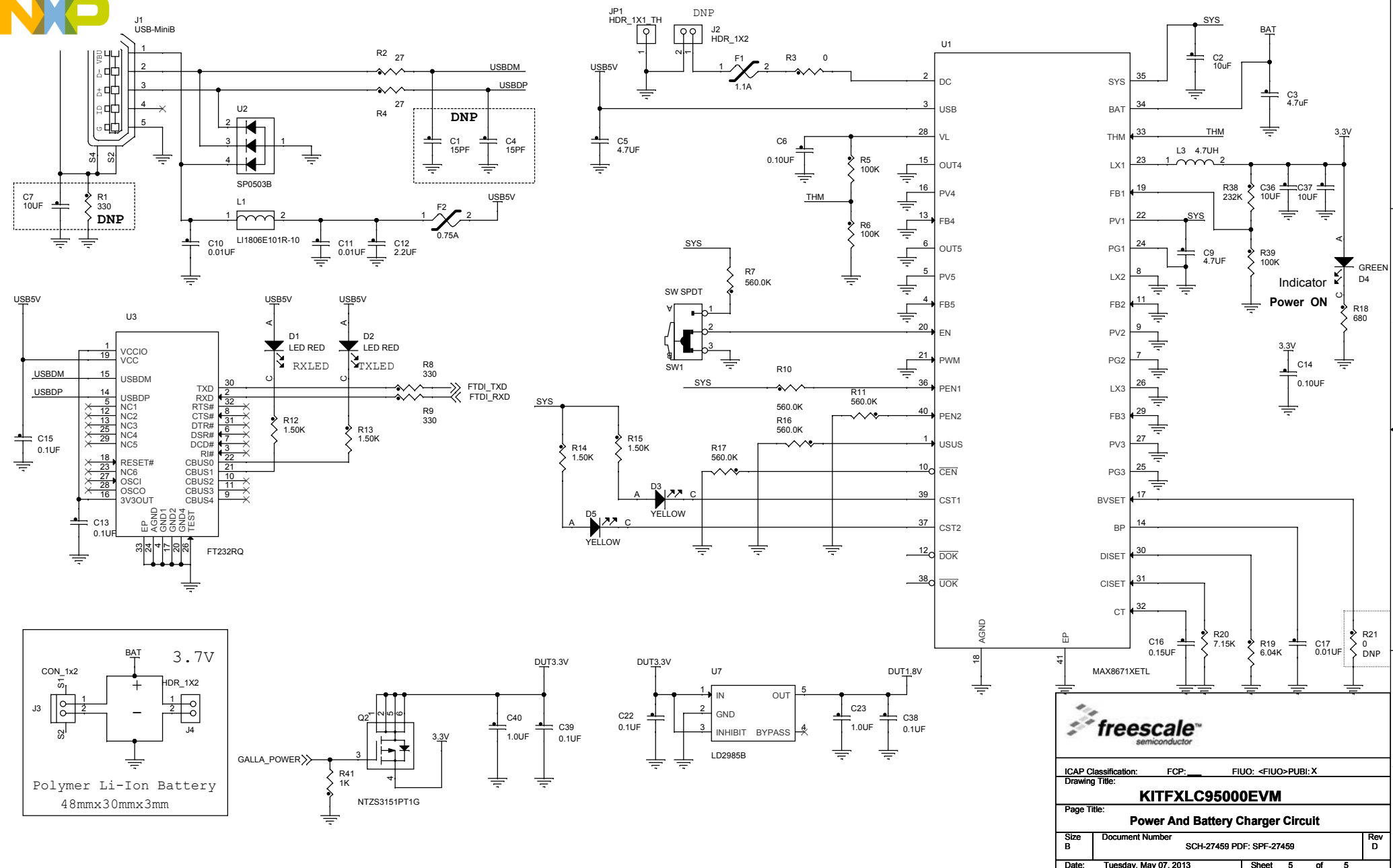
Date: Tuesday, May 07, 2013 | Sheet 4 of 5

Short 3-5, 4-6 for USB  
 Short 1-3, 2-4 for Bluetooth

Master Serial Bus (I2C / SPI) Test Points

MCU Bridge

MCF51QE128CLH



ICAP Classification: FCP: _____ FIUO: <FIUO>PUBI: X	
Drawing Title: <b>KITFXLC95000EVM</b>	
Page Title: <b>Power And Battery Charger Circuit</b>	
Size B	Document Number SCH-27459 PDF: SPF-27459
Date: Tuesday, May 07, 2013	Sheet 5 of 5