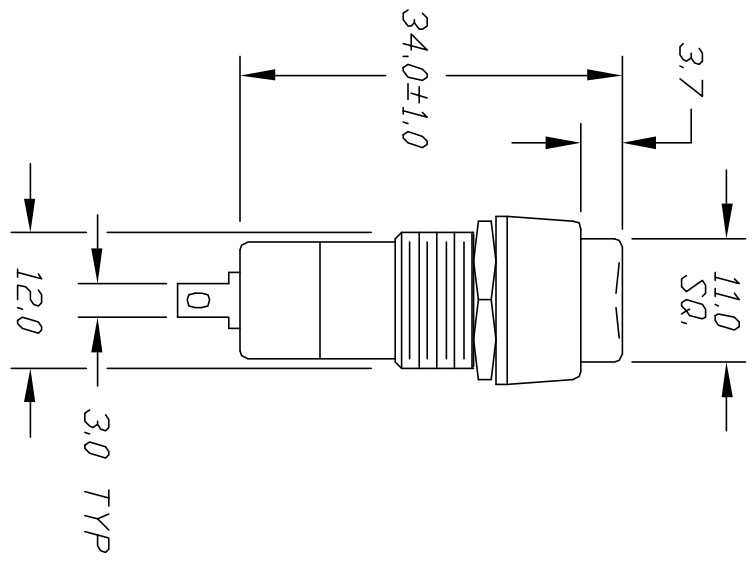
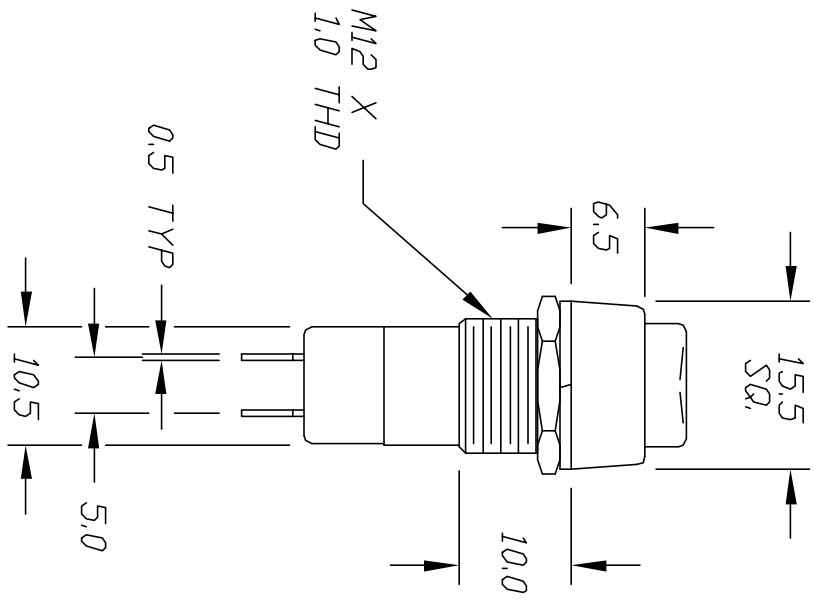
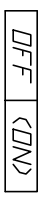


PANEL LAYOUT



CONTACT CONFIGURATION



NOTES:

1. ALL DIMENSIONS IN MM
2. TERM. NOS. FOR REF ONLY

E-SWITCH

PS 1023A

TOLERANCES	
0.0	±0.4
0.00	±0.25

REV.	DESCRIPTION	DATE	CHKD

TITLE	SCALE	DATE	DR	DWG
	1.5:1	12/13/94	SS	F010231

THE INFORMATION CONTAINED IN THIS DOCUMENT IS PROPRIETARY TO E-SWITCH AND IS NOT TO BE COPIED OR TRANSFERRED