

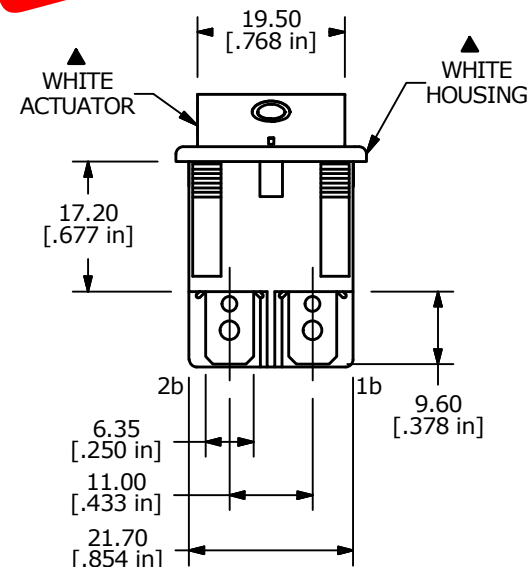
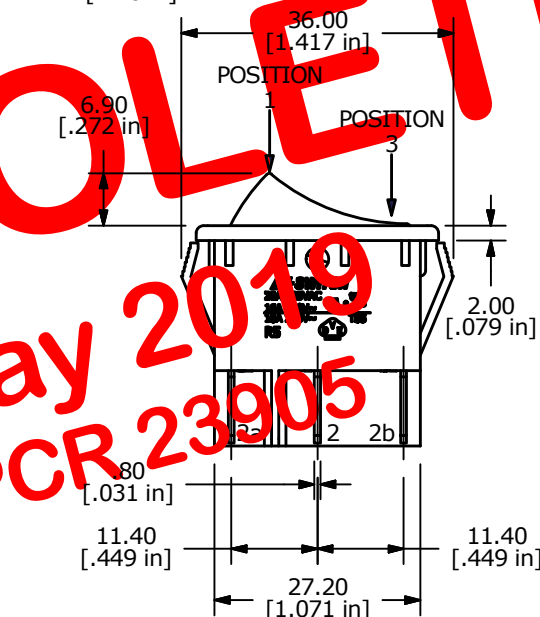
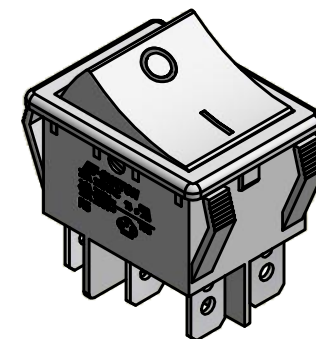
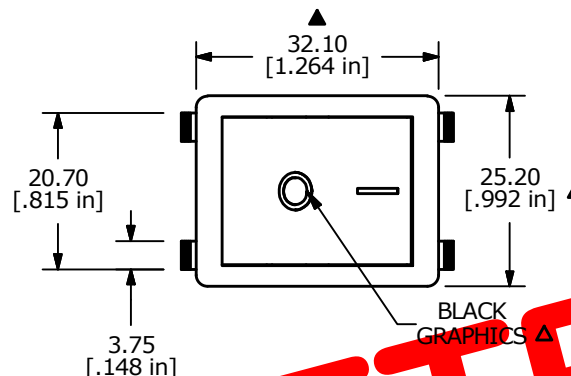
RECOMMENDED PANEL MOUNTING

PANEL THICKNESS	X
0.75-1.25	30.0-30.2
1.25-2.00	30.2-30.4
2.00-3.00	30.6-30.8

SWITCH FUNCTION		
POS. 1	POS. 2	POS. 3
ON	NONE	(ON)
1-1b, 2-2b	N/A	1-1a, 2-2a

MOMENTARY = (ON)

CIRCUIT: DPDT



OBSOLETE

May 2019

PCR 23905

- NOTES:
1. ALL DIMENSIONS IN MM [INCH]
  2. GENERAL TOLERANCE: X.X=±0.4  
X.XX=±0.25
  3. TERM. NOS. FOR REF. ONLY
  - ▲ 4. RATING: 20A @125VAC 3/4HP UL APPROVED  
16A @250VAC 1HP UL APPROVED  
16A @250VAC 1HP VDE APPROVED
  5. ELECTRICAL LIFE: 10,000 CYCLES
  6. MECHANICAL LIFE: 30,000 CYCLES
  7. CONTACT RESISTANCE: <20 MILLI-OHMS INITIAL
  8. DIELECTRIC STRENGTH: >1,500V AC 1MIN
  9. INSULATION RESISTANCE: >1000MOHMS
  10. OPERATING TEMP: TERMINAL SIDE: -20°C to 85°C  
ROCKER SIDE: -20°C to 55°C
  11. ▲ DENOTES CRITICAL PARAMETER.
  12. 2002/95/EC (ROHS) COMPLIANT

C	20139	ADD HP RATING	08/31/11	BMA
B	19798	UPDATE DRAWING	03/29/11	BMA
A	16783	RELEASED FOR PRODUCTION	12/22/06	TN
REV	PCR NO	DESCRIPTION	DATE	BY



TITLE R5EWHTWHTFF0				
SCALE	DATE	DR	DWG	REV
1:1	12/22/2006	TN	M050253	C

THE INFORMATION CONTAINED IN THIS DOCUMENT IS PROPRIETARY TO E-SWITCH AND IS NOT TO BE COPIED OR TRANSFERRED