

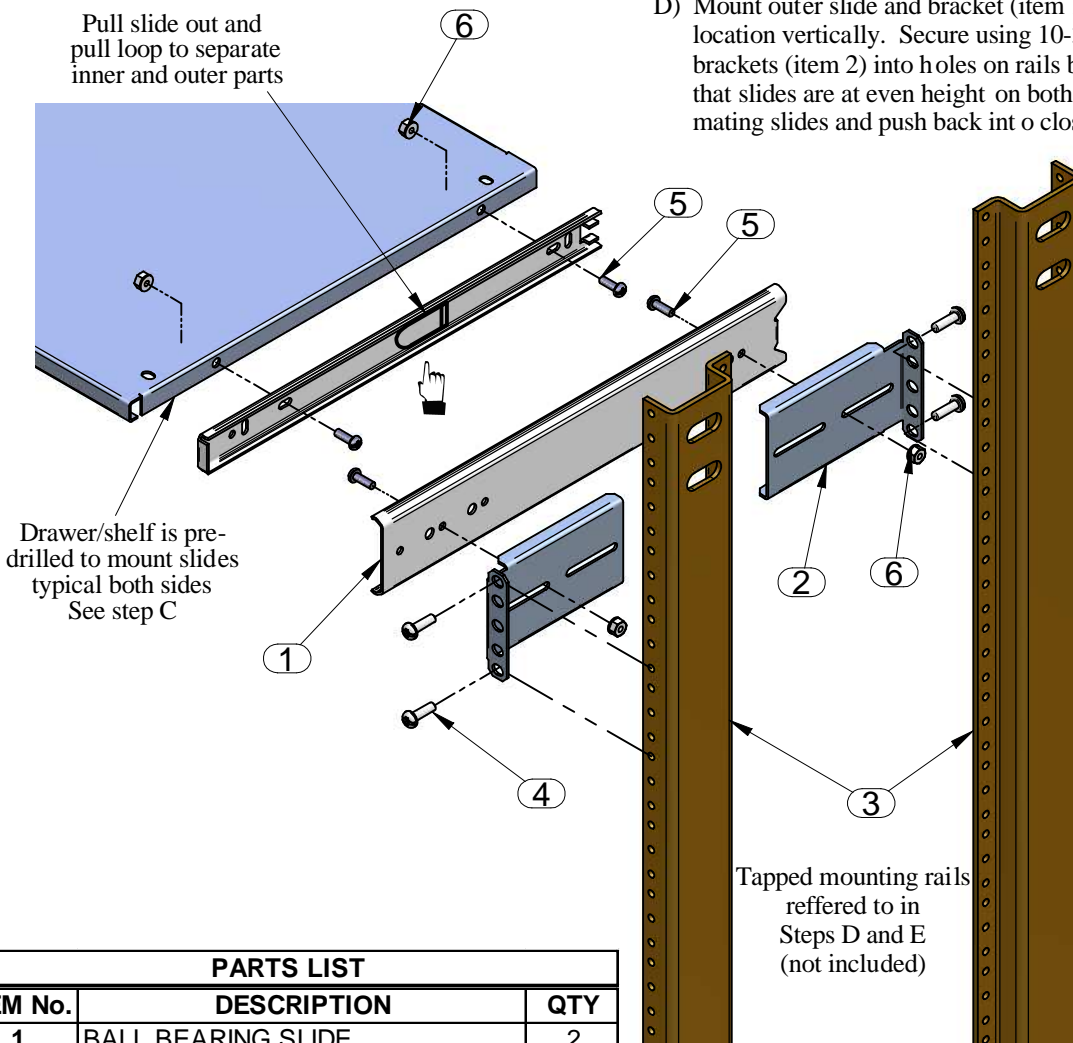
RSLIDE - SERIES

ASSEMBLY INSTRUCTIONS FOR RSLIDE 12, RSLIDE 16, AND RSLIDE 22

BUL10089
REV. A
PAGE 1 OF 1

ASSEMBLY INSTRUCTIONS:

- A) Separate inner and outer parts of slide (item 1) as shown. Pull loop on inner part to release from outer part of slide.
- B) Fasten inner part of slide with loop to drawer or shelf using 8-32 screws (item 5) and KEP nuts (item 6) thru slide and into appropriate holes as shown.
- C) Adjust mounting rails (item 3) in enclosure to suit the pre-assembled distance between brackets or if mounting rails are at set distance, mounting brackets (item 2) on slide assembly can be adjusted. To adjust loosen 8-32 screws and nuts on slide assembly adjust bracket location and retighten screws.
- D) Mount outer slide and bracket (item 1) to combination rails at desired location vertically. Secure using 10-32 screws (item 4) thru slide brackets (item 2) into holes on rails both front and rear. Check that slides are at even height on both sides. Install drawer/shelf back into mating slides and push back into closed position.



PARTS LIST

ITEM No.	DESCRIPTION	QTY
1	BALL BEARING SLIDE	2
2	SLIDE MOUNTING BRKT.	4
3	MOUNTING RAIL (NOT INCLUDED)	4
4	10-32 SCREW	8
5	8-32 SCREW	8
6	8-32 KEP NUT	8

TOOL BOX



Tape Measure



#2 Phillips Screw Driver



NOTE:

Assembly shown is typical on both sides of drawer.

HAMMOND
MANUFACTURING™
ELECTRONICS GROUP

visit our website @ www.hammondmfg.com