

DWG. NO.

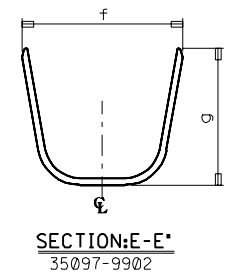
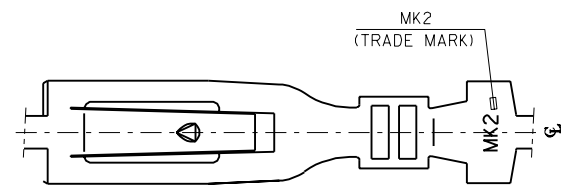
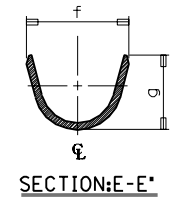
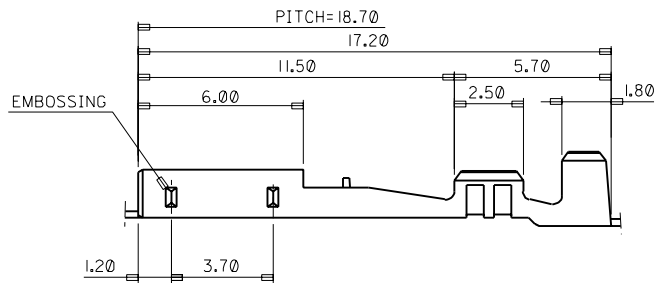
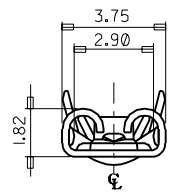
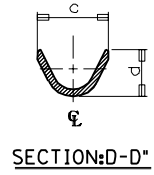
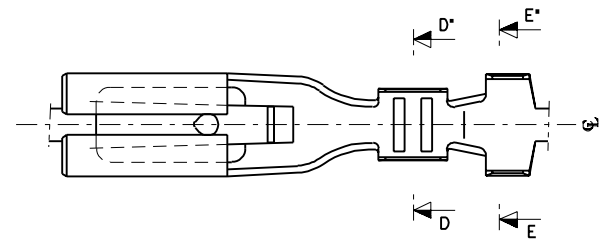
SIMILAR ITEM

PROJECT NO.

C

B

DO NOT SCALE DRAWING  
DIMENSION IN METRIC



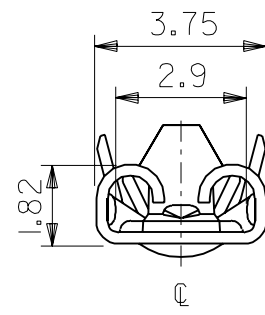
**NOTES**

1. MATERIAL: TIN-PLATED BRASS 0.25mm THICK'
2. FINISH: PRE-TIN PLATING
3. MATING TAB: 0.5(+) $\times$  2.8(w)

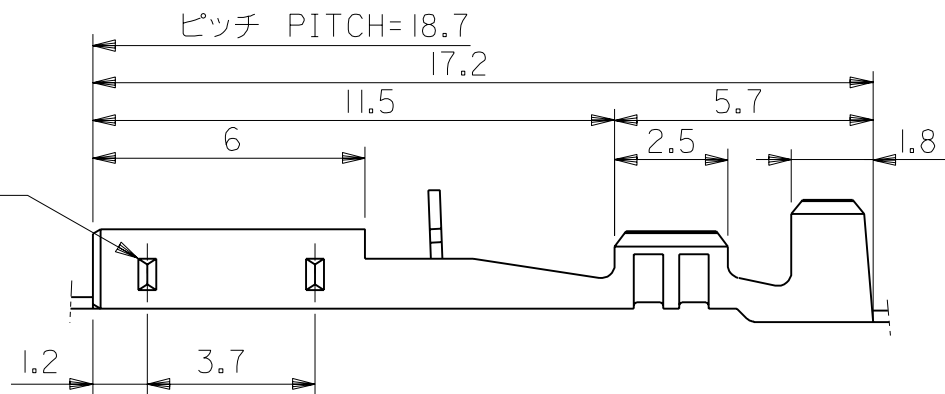
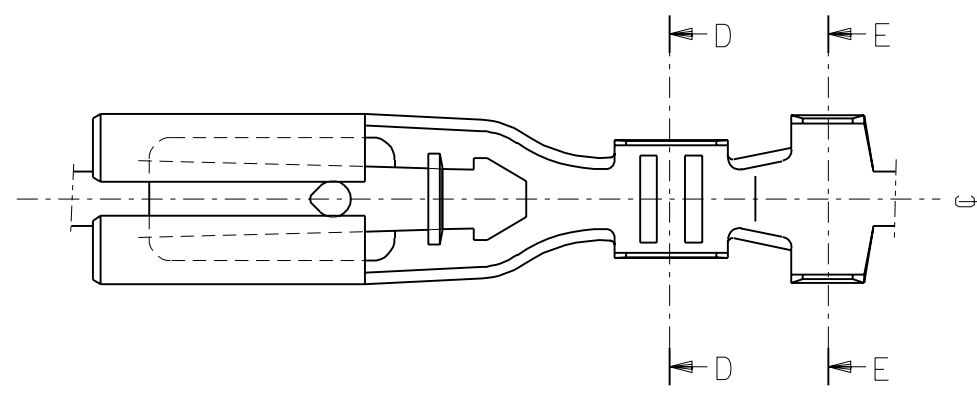
ENG.NO.	c	d	f	g	WIRE RANGE
35097-9702	2.0	1.85	3.3	3.0	AWG #26-#20
35097-9802	2.8	2.75	4.0	4.1	AWG #20-#16
35097-9902	2.8	2.75	5.9	5.0	AWG #20 $\times$ 2

REVISED EC NO. KOR1936-0083 DRWN:W.YANG 96/07/09 CHK: C.W.LEE APPR:	QUALITY SYMBOLS MAJOR $\nabla = 0$ CRITICAL $\nabla C = 0$	GENERAL TOLERANCES: (UNLESS SPECIFIED)		SCALE 6:1	DESIGN UNITS <input checked="" type="checkbox"/> mm <input type="checkbox"/> INCH	DIMENSIONS: <input type="checkbox"/> mm <input type="checkbox"/> INCH <input checked="" type="checkbox"/> mm ONLY	SHT   REV	
		4 PLACES $\pm 0.$ mm $\pm$ INCH	3 PLACES $\pm 0.$ mm $\pm$ INCH	2 PLACES $\pm 0.30$ mm $\pm$ INCH	1 PLACE $\pm 0.30$ mm $\pm$ INCH	DRAWN BY & DATE W.Y.YANG 96/12/02	TITLE: .110 MP-LOCK RECEPTACLE TERMINAL	
		ANGULAR: $\pm$ °				CHECKED BY & DATE B.K.CHOI 96/12/02	APPROVED BY & DATE C.W.LEE 96/12/02	
		DRAFT WHERE APPLICABLE MUST REMAIN WITHIN DIMENSIONS				CAD FILENAME S0979702.DGN	MATERIAL NO. SEE TABLE	DRAWING NO. SD 35097-9*02
D	REV	THIS DRAWING CONTAINS INFORMATION THAT IS PROPRIETARY TO MOLEX INCORPORATED AND SHOULD NOT BE USED WITHOUT WRITTEN PERMISSION.				MOLEX INCORPORATED KOREA		SIZE B

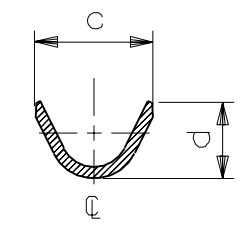
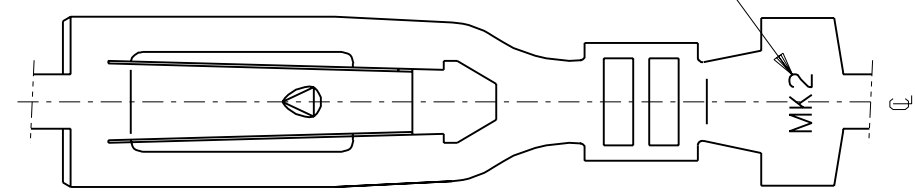
DWG. NO.  
SD-35097-9\*02



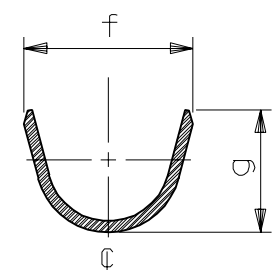
打出し  
EMBOSSING



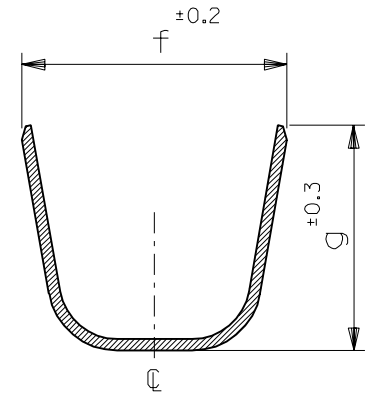
トレードマーク  
TRADE MARK  
(MK2)



SECT D-D



SECT E-E



SECT E-E  
35097-9902

注記  
NOTES

- 1 材料：黄銅，厚さ 0.25mm  
MATERIAL :BRASS ,THICKNESS 0.25mm
- 2 メッキ仕様：錫メッキ  
PRE-TIN PLATING
- 3 適合タブ 厚さ 0.5mm、幅 2.8mm  
MATING TAB THICKNESS 0.5mm, WIDTH 2.8mm
- 4 製品番号  
ENG. NO.

製品番号 ENG. NO.	c	d	f	g	電線サイズ WIRE SIZE
35097-9702	2.0	1.85	3.3	3.0	AWG #26~#20
35097-9802	2.8	2.75	4.0	4.1	AWG #20~#16
35097-9902	2.8	2.75	5.9	5.0	AWG #20X2

- 5 一般公差：±0.3  
GENERAL TOLERANCE : ±0.3

角度 ANGLE	公差
30 以上 OVER	±3°
10 以上 30 未満 OVER 10 UNDER 30	±0.3
10 未満 UNDER 10	±0.25
一般公差 GENERAL TOLERANCES	±0.2

記号 LTR	変更内容 REVISION RECORD	DR. CHK.	日付 DATE
D	再作図 REDRAWN (JC80206)	S.N. Y.M	'97/9/9

材料 MATERIAL	注記参照 SEE NOTES
仕上げ FINISH	—    —
適用電線範囲 WIRE RANGE	—    —
被覆外径 INS. RANGE	—    —
DRAWN BY '97/9/9 S.NISHIMAKI	CHK'D BY '97/9/9 Y.MIZUNO
APP'D BY '97/9/9 M.FUKUSHIMA	尺度 SCALE 6 : 1

MOLEX-JAPAN CO.,LTD. 日本モレックス株式会社	
REVISE ONLY ON CAD SYSTEM	
TITLE 名称 .110 MP-LOCK RECEPTACLE TERMINAL	
DWG. NO. SD-35097-9*02	REV D