

TABLE 1

| 番号<br>No. | 部品<br>PART        | 材質<br>MATERIAL  |  |
|-----------|-------------------|---|--|
| ①         | ハウジング<br>HOUSING  | ナイロン, UL94-V0, 色 : 自然色(ベージュ) / 黒<br>NYLON (PA), UL94-V0, COLOR : NATURAL(BEIGE) / BLACK |  |
| ②         | ターミナル<br>TERMINAL | 材料<br>MATERIAL  | 黄銅<br>BRASS  |
|           |                   | 下地めっき<br>UNDER PLATING  | ニッケルめっき 1.27マイクロメートル以上<br>NICKEL PLATING 1.27micro-meter MIN     |
|           |                   | 接点部、テール<br>CONTACT AND TAIL   | 無光沢錫めっき 2.54マイクロメートル以上<br>MATTE TIN PLATING 2.54 micro-meter MIN |

注記

NOTE

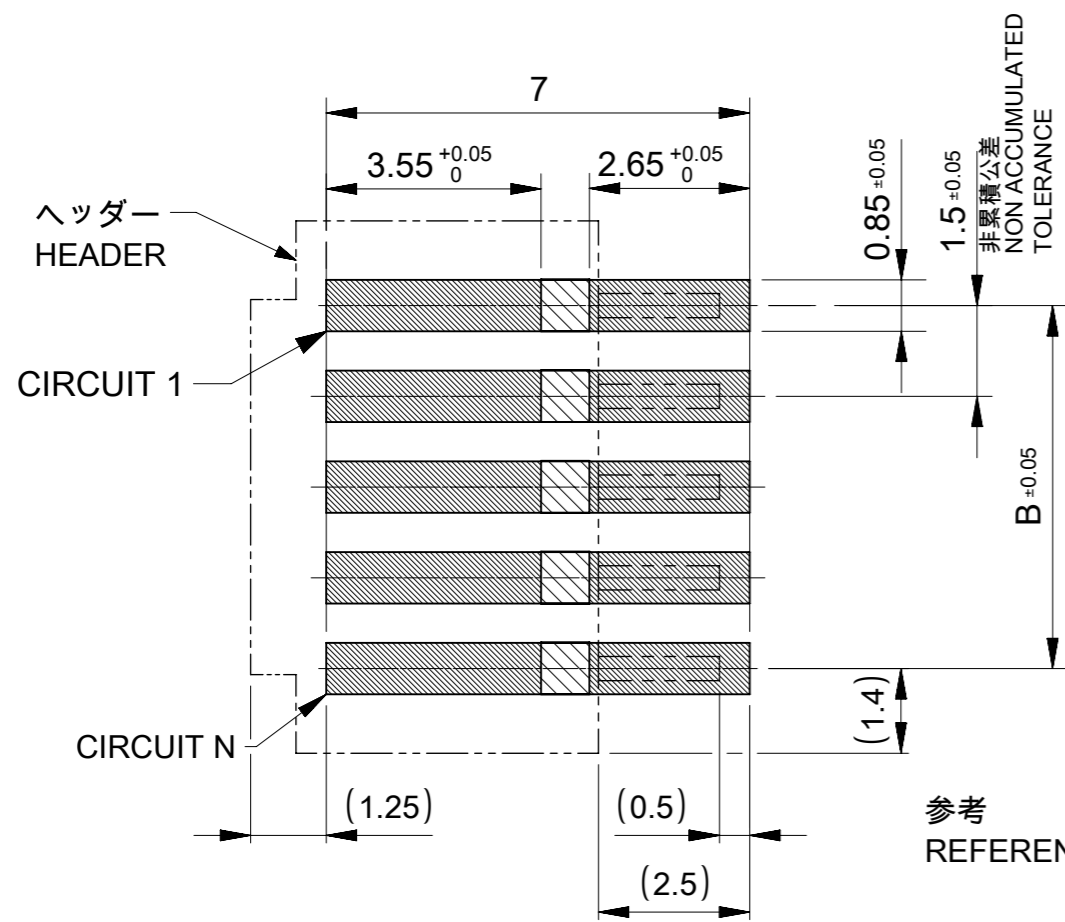
- △ 材質および仕上げ(めっき仕様) : TABLE 1 参照  
MATERIAL AND FINISH: SEE TABLE 1
- 2 製品仕様書 : PS-87437-001  
PRODUCT SPECIFICATION : PS-87437-001
- 3 製品取扱説明書 : 874370000-AS  
APPLICATION SPECIFICATION : 874370000-AS
- 4 テール平坦度 : 0.1以下  
TAIL COPLANARITY TO BE 0.1 MAX.
- △ 嵌合相手 : 87439シリーズ (リセプタクルハウジング), 87421シリーズ (圧着端子)  
MATE WITH 87439 SERIES (RECEPTACLE HOUSING)  
AND 87421 SERIES (CRIMP TERMINAL).
- 6 本製品は錫めっき品である。金めっき品は202706シリーズを参照。  
THIS PRODUCT IS TIN PLATING.  
FOR GOLD PLATING, REFER TO 202706 SERIES.

|      |      |      |      |                      |                    |
|------|------|------|------|----------------------|--------------------|
| 21.2 | 22.8 | 21.0 | 23.8 | 87438-15*1           | 15                 |
| 19.7 | 21.3 | 19.5 | 22.3 | 87438-14*1           | 14                 |
| 18.2 | 19.8 | 18.0 | 20.8 | 87438-13*1           | 13                 |
| 16.7 | 18.3 | 16.5 | 19.3 | 87438-12*1           | 12                 |
| 15.2 | 16.8 | 15.0 | 17.8 | 87438-11*1           | 11                 |
| 13.7 | 15.3 | 13.5 | 16.3 | 87438-10*1           | 10                 |
| 12.2 | 13.8 | 12.0 | 14.8 | 87438-09*1           | 9                  |
| 10.7 | 12.3 | 10.5 | 13.3 | 87438-08*1           | 8                  |
| 9.2  | 10.8 | 9.0  | 11.8 | 87438-07*1           | 7                  |
| 7.7  | 9.3  | 7.5  | 10.3 | 87438-06*1           | 6                  |
| 6.2  | 7.8  | 6.0  | 8.8  | 87438-05*1           | 5                  |
| 4.7  | 6.3  | 4.5  | 7.3  | 87438-04*1           | 4                  |
| 3.2  | 4.8  | 3.0  | 5.8  | 87438-03*1           | 3                  |
| 1.7  | 3.3  | 1.5  | 4.3  | 87438-02*1           | 2                  |
| D    | C    | B    | A    | ヘッダー番号<br>HEADER NO. | 極数<br>CIRCUIT SIZE |


THIS DRAWING CONTAINS INFORMATION THAT IS PROPRIETARY TO MOLEX ELECTRONIC TECHNOLOGIES, LLC AND SHOULD NOT BE USED WITHOUT WRITTEN PERMISSION


|  |              |                           |                 |                          |              |
|--|--------------|---------------------------|-----------------|--------------------------|--------------|
| DIMENSION UNITS<br>mm                                | SCALE<br>NTS | CURRENT REV DESC: REVISED |                 | <b>molex</b>             |              |
| GENERAL TOLERANCES (UNLESS SPECIFIED)                |              | EC NO: 699885             |                 |                          |              |
| ANGULAR TOL  | ± 3.0 °      | 4 PLACES                  | ± 0.2           | DRWN: RTANAKA02          | 2022/03/14   |
| 3 PLACES   | ± 0.2        | CH'D: SAKIYAMA            | 2022/09/30      | PRODUCT CUSTOMER DRAWING |              |
| 2 PLACES   | ± 0.2        | APPR: AIDA                | 2022/09/30      | DOCUMENT NUMBER          |              |
| 1 PLACE  | ± 0.2        | INITIAL REVISION:         |                 | DOC TYPE                 |              |
| 0 PLACES   | ± 0.2        | DRWN: RTANAKA02           | 2018/12/06      | DOC PART                 |              |
| DRAFT WHERE APPLICABLE MUST REMAIN WITHIN DIMENSIONS |              | APPR: SAKIYAMA            | 2019/04/26      | REVISION                 |              |
| THIRD ANGLE PROJECTION                               | DRAWING      | SERIES                    | MATERIAL NUMBER | CUSTOMER                 | SHEET NUMBER |
|  | A3-SIZE      | 87438                     | SEE SHEET 3     | GENERAL                  | 1 OF 3       |

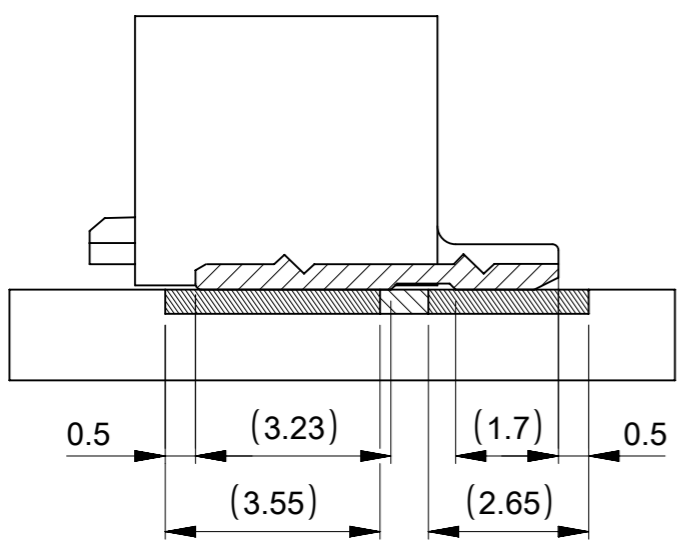
# 推奨基板レイアウト RECOMMENDED PCB LAYOUT



参考 : 基板厚 1.0mm  
 REFERENCE : PCB THICKNESS 1.0mm  
 メタルマスク厚 0.12mm  
 STENCIL THICKNESS 0.12mm  
 マスク開口率100%  
 APERTURE RATIO 100%.

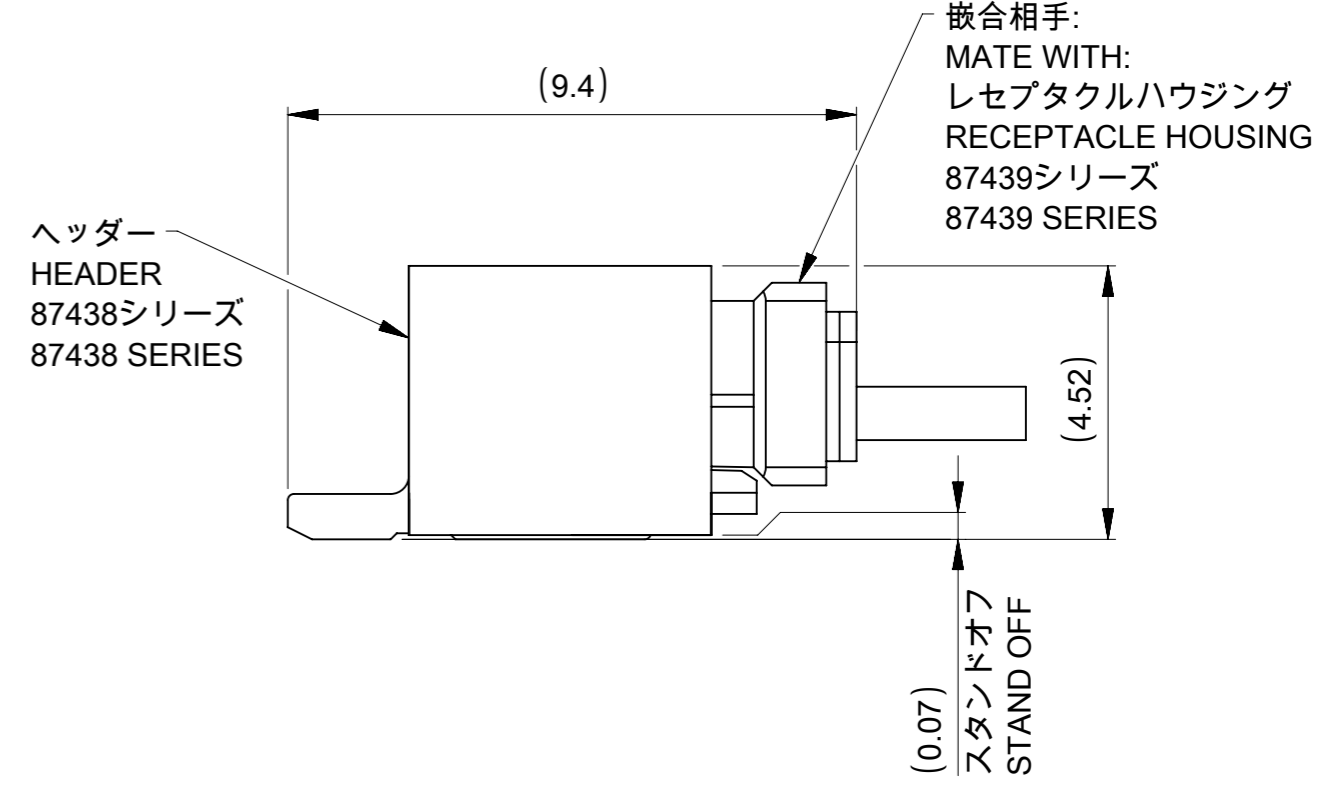
 : 半田エリア (パターンエリア)  
 SOLDER AREA (COPPER ZONE)

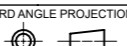
 : 半田禁止エリア (パターン禁止エリア)  
 SOLDER KEEP OUT AREA (NO-COPPER ZONE)  
 半田上がりを防ぐため。  
 TO PREVENT SOLDER LIFTING.  
 レジストによって分離する場合は、パターン面よりも盛り上がらないこと。  
 IF APPLY RESIST IN THIS AREA, LEVEL AS PATTERN AREA FACE.



SECTION Z-Z

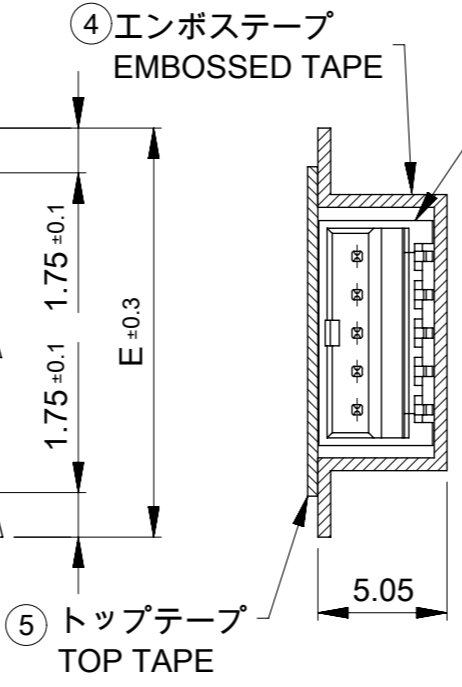
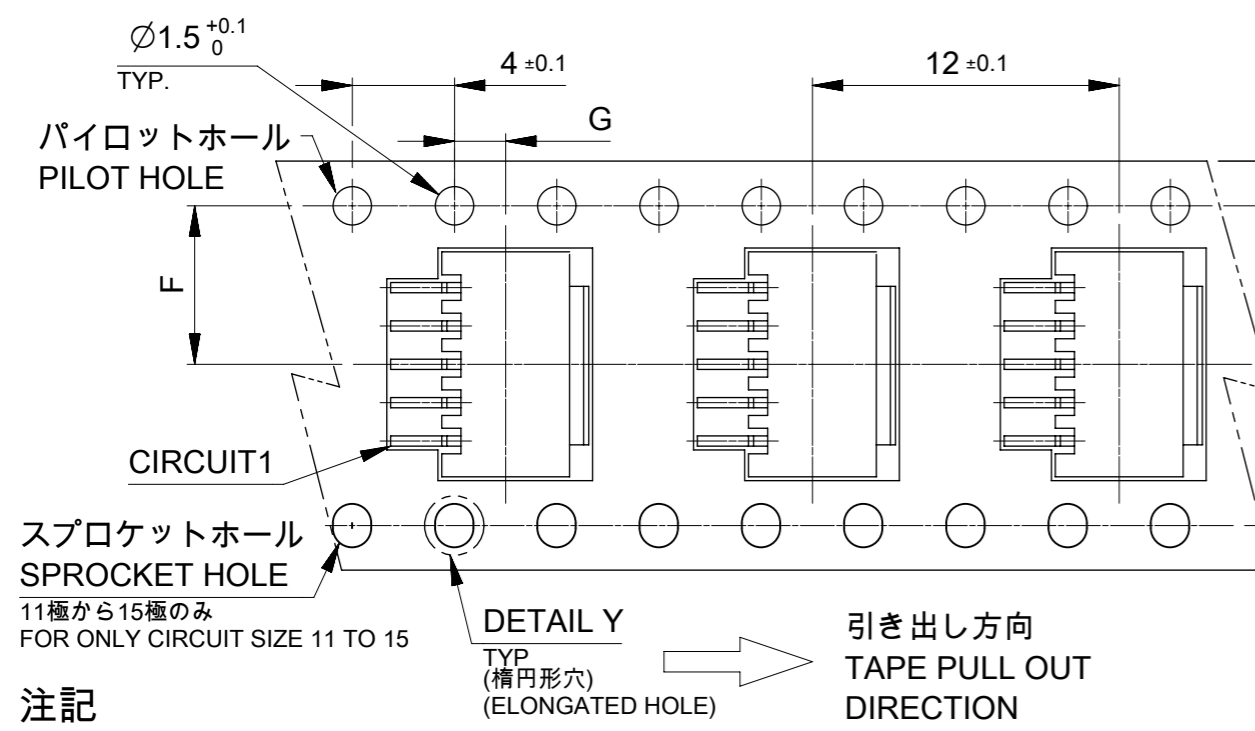
# 5 嵌合図 MATED CONNECTORS



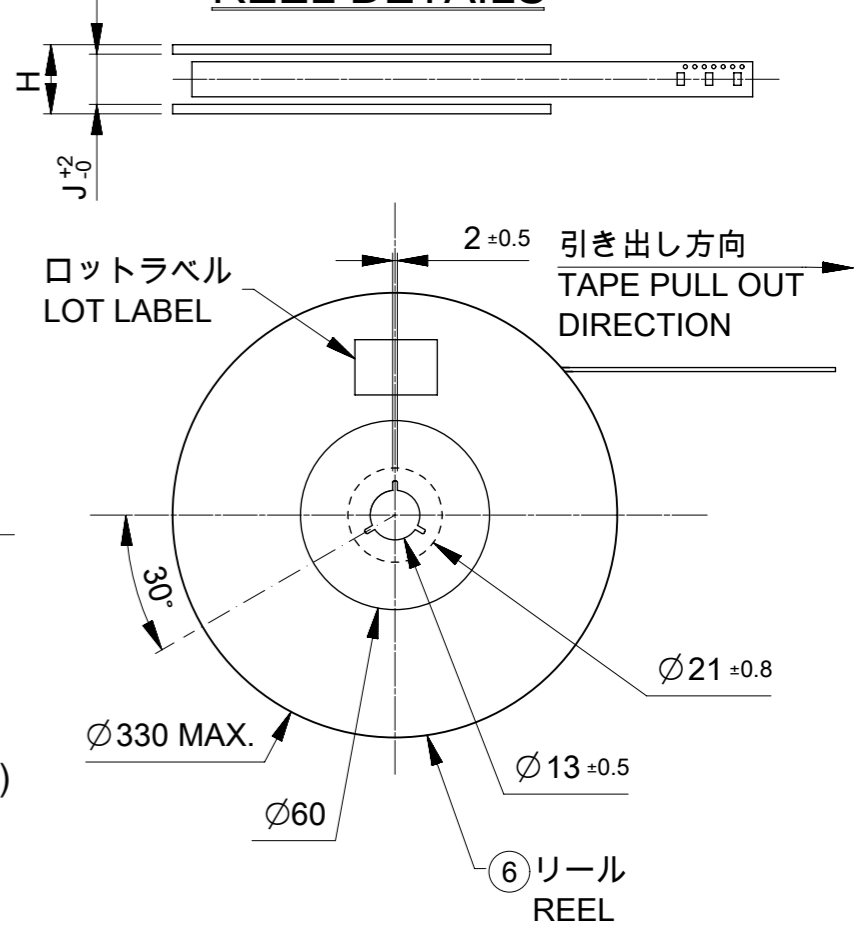
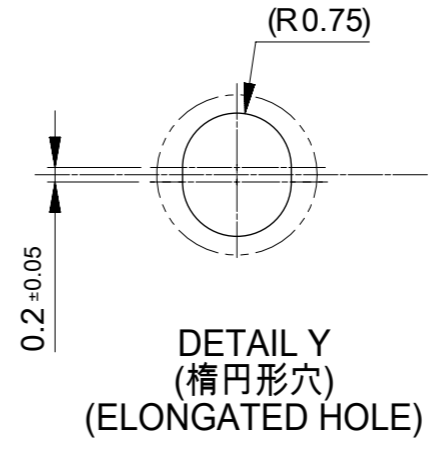
|   |  |                 |  |   |  |  |  |              |  |
|---|--|-----------------|--|---|--|--|--|--------------|--|
| THIS DRAWING CONTAINS INFORMATION THAT IS PROPRIETARY TO MOLEX ELECTRONIC TECHNOLOGIES, LLC AND SHOULD NOT BE USED WITHOUT WRITTEN PERMISSION |  |                 |  |   |  |  |  |              |  |
| DIMENSION UNITS   |  | SCALE           |  | CURRENT REV DESC: REVISED   |  |  |  | <b>molex</b> |  |
| mm  |  | NTS             |  |   |  |  |  |              |  |
| GENERAL TOLERANCES (UNLESS SPECIFIED)   |  |                 |  |   |  |  |  |              |  |
| ANGULAR TOL ± 3.0°  |  |                 |  |   |  |  |  |              |  |
| 4 PLACES ± 0.2  |  |                 |  |   |  |  |  |              |  |
| 3 PLACES ± 0.2  |  |                 |  |   |  |  |  |              |  |
| 2 PLACES ± 0.2  |  |                 |  |   |  |  |  |              |  |
| 1 PLACE ± 0.2   |  |                 |  |   |  |  |  |              |  |
| 0 PLACES ± 0.2  |  |                 |  |   |  |  |  |              |  |
| DRAFT WHERE APPLICABLE MUST REMAIN WITHIN DIMENSIONS  |  |                 |  | THIRD ANGLE PROJECTION  |  | DRAWING  |  | SHEET NUMBER |  |
|   |  |                 |  |  |  | A3-SIZE  |  | 2 OF 3       |  |
| EC NO: 699885   |  | DRWN: RTANAKA02 |  | 2022/03/14  |  | PICO-SPOX 1.5 W/B CONN R/A HEADER ASSY (SMT TIN PLATING VERSION) |  |              |  |
| CHK'D: SAKIYAMA   |  | APPR: AIDA      |  | 2022/09/30  |  |  |  |              |  |
| INITIAL REVISION:   |  |                 |  | DOCUMENT NUMBER   |  | DOC TYPE   |  | DOC PART     |  |
| DRWN: RTANAKA02   |  |                 |  | 874380231-SD  |  | PSD  |  | 000          |  |
| APPR: SAKIYAMA  |  |                 |  | 2018/12/06  |  | GENERAL  |  | C            |  |
|   |  |                 |  | 2019/04/26  |  |  |  |              |  |
| MATERIAL NUMBER   |  | CUSTOMER        |  | SERIES  |  | SHEET NUMBER   |  |              |  |
| SEE SHEET 3   |  | GENERAL         |  | 87438   |  | 2 OF 3   |  |              |  |

# エンボス梱包 詳細 EMBOSSED CARRIER TAPE PACKING DETAILS

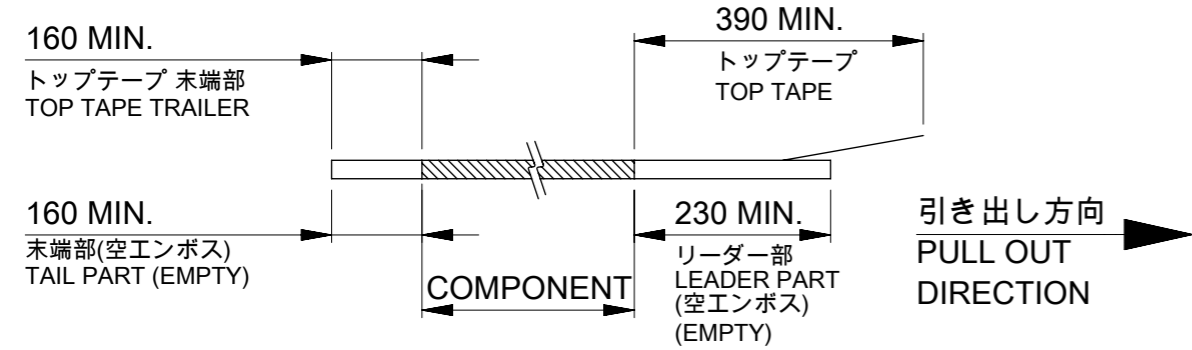
# リール 詳細 REEL DETAILS



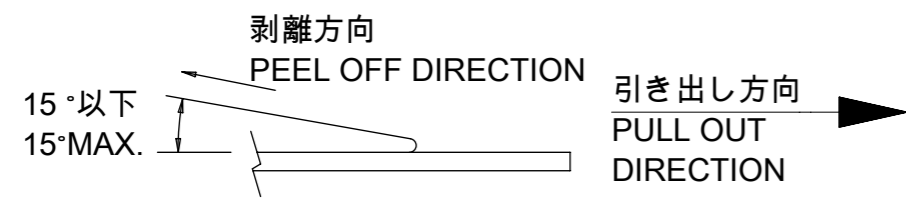
ヘッダー番号  
HEADER NO.  
87438-\*\*41 (BEIGE)  
87438-\*\*61 (BLACK)



注記  
NOTE  
7. リーダー部および末端部テープ長さ  
LEADER AND TRAILER TAPE LENGTH



8. トップテープの剥離強度：IEC60286-3に準拠。  
PEELING OFF FORCE OF THE TOP TAPE: DEFINED IEC60286-3.  
(剥離方向は下図を参照)  
(PEELING DIRECTION AS SHOWN IN FOLLOWING FIGURE)



9. EIA-481に準拠する。  
PACKAGING STANDARD IS AS PER EIA-481.  
10. 梱包数量=1000個/リール  
TAPE & REEL QUANTITY=1000PCS/REEL  
11. 本製品は乾燥剤入りハイバリア梱包での納品となる。  
THIS PRODUCT IS DELIVERED IN A HIGH BARRIER PACKAGE WITH DESICCANT.  
12. 梱包仕様書：SPK-87438-001  
PACKING INFORMATION：SPK-87438-001

発注番号  
ORDER NUMBER  
87438- \* \* \* 3

|                      |                           |
|----------------------|---------------------------|
| 極数<br>CIRCUIT SIZE   | ハウジングカラー<br>HOUSING COLOR |
| 02 から 15<br>02 TO 15 | 4: ベージュ<br>BEIGE          |
|                      | 6: 黒<br>BLACK             |

|      |       |        |           |    |                    |
|------|-------|--------|-----------|----|--------------------|
| 44.4 | 50.4  | 2±0.15 | 20.2±0.15 | 44 | 15                 |
| 32.4 | 38.4  | 2±0.1  | 14.2±0.1  | 32 | 14                 |
| 24.4 | 30.4  |        | 11.5±0.1  | 24 | 13                 |
| 16.4 | 22.4  |        | 7.5±0.1   | 16 | 12                 |
| J    | H MAX | G      | F         | E  | 11                 |
|      |       |        |           |    | 10                 |
|      |       |        |           |    | 9                  |
|      |       |        |           |    | 8                  |
|      |       |        |           |    | 7                  |
|      |       |        |           |    | 6                  |
|      |       |        |           |    | 5                  |
|      |       |        |           |    | 4                  |
|      |       |        |           |    | 3                  |
|      |       |        |           |    | 2                  |
|      |       |        |           |    | 極数<br>CIRCUIT SIZE |

|  |                          |                             |   |              |  |
|--|--------------------------|-----------------------------|---|--------------|--|
| 番号<br>NO.  | 部品<br>PART               | 材質<br>MATERIAL              | THIS DRAWING CONTAINS INFORMATION THAT IS PROPRIETARY TO MOLEX ELECTRONIC TECHNOLOGIES, LLC AND SHOULD NOT BE USED WITHOUT WRITTEN PERMISSION |              |  |
|  |                          |                             | DIMENSION UNITS<br>mm   | SCALE<br>NTS |  |
| ④  | エンボステープ<br>EMBOSSED TAPE | ポリスチレン<br>POLYSTYRENE (PS)  | CURRENT REV DESC: REVISED   |              |  |
| ⑤  | トップテープ<br>TOP TAPE       | ポリエチレン<br>POLYETHYLENE (PE) | EC NO: 699885<br>DRWN: RTANAKA02<br>CHK'D: SAKIYAMA<br>APPR: AIDA   |              |  |
| ⑥  | リール<br>REEL              | ポリスチレン<br>POLYSTYRENE (PS)  | INITIAL REVISION:<br>DRWN: RTANAKA02<br>APPR: SAKIYAMA  |              |  |
| GENERAL TOLERANCES (UNLESS SPECIFIED)                |                          |                             | 2022/03/14<br>2022/09/30<br>2022/09/30  |              |  |
| ANGULAR TOL ± 3.0°                                   |                          |                             | 2018/12/06<br>2019/04/26  |              |  |
| 4 PLACES ± 0.2                                       |                          |                             | DOCUMENT NUMBER<br>874380231-SD   |              |  |
| 3 PLACES ± 0.2                                       |                          |                             | DOC TYPE<br>PSD   |              |  |
| 2 PLACES ± 0.2                                       |                          |                             | DOC PART<br>000   |              |  |
| 1 PLACE ± 0.2  |                          |                             | REVISION<br>C   |              |  |
| 0 PLACES ± 0.2                                       |                          |                             | SHEET NUMBER<br>3 OF 3  |              |  |
| DRAFT WHERE APPLICABLE MUST REMAIN WITHIN DIMENSIONS |                          |                             | THIRD ANGLE PROJECTION<br>DRAWING<br>A3-SIZE  |              |  |
|  |                          |                             | SERIES<br>87438   |              |  |
|  |                          |                             | MATERIAL NUMBER<br>SEE SHEET 3  |              |  |
|  |                          |                             | CUSTOMER<br>GENERAL   |              |  |