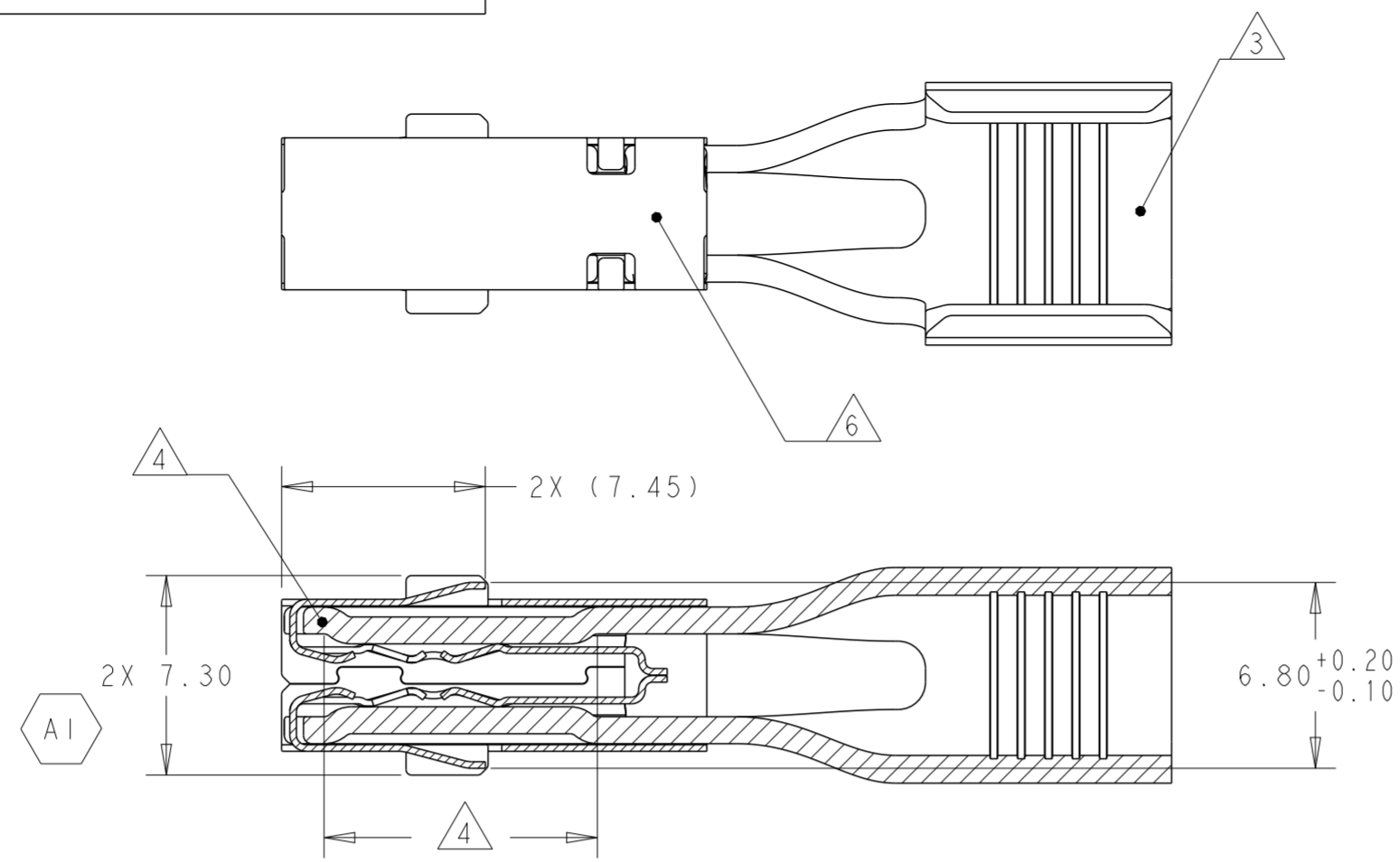
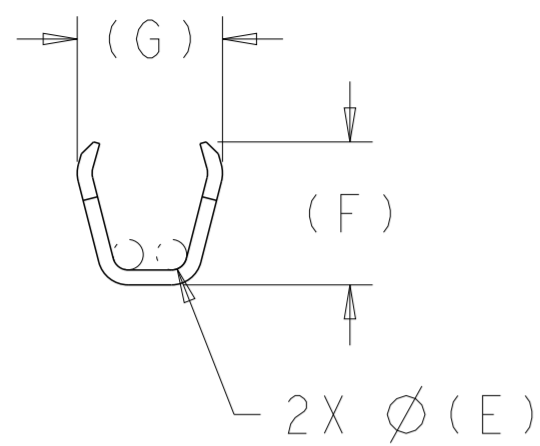
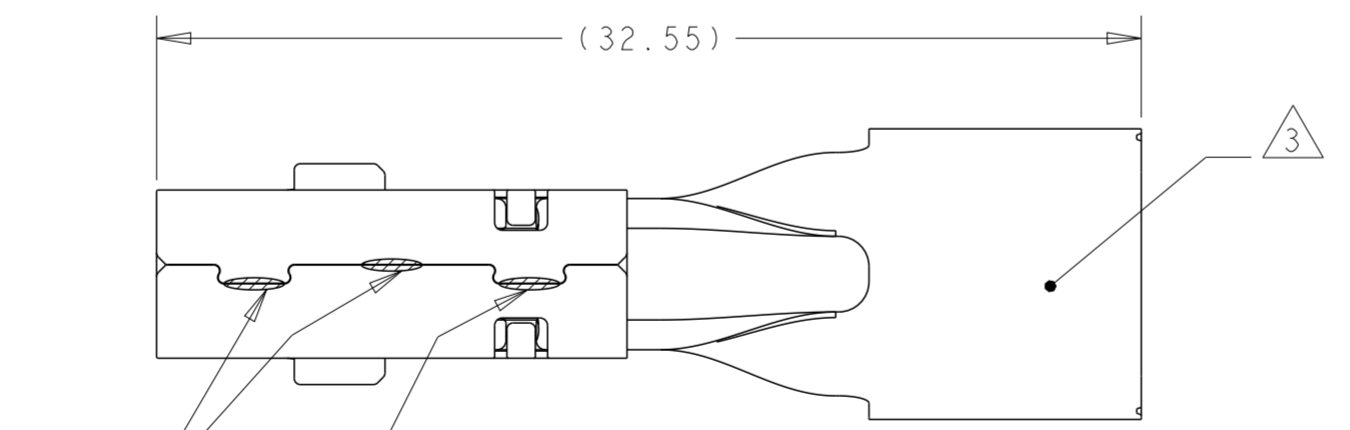
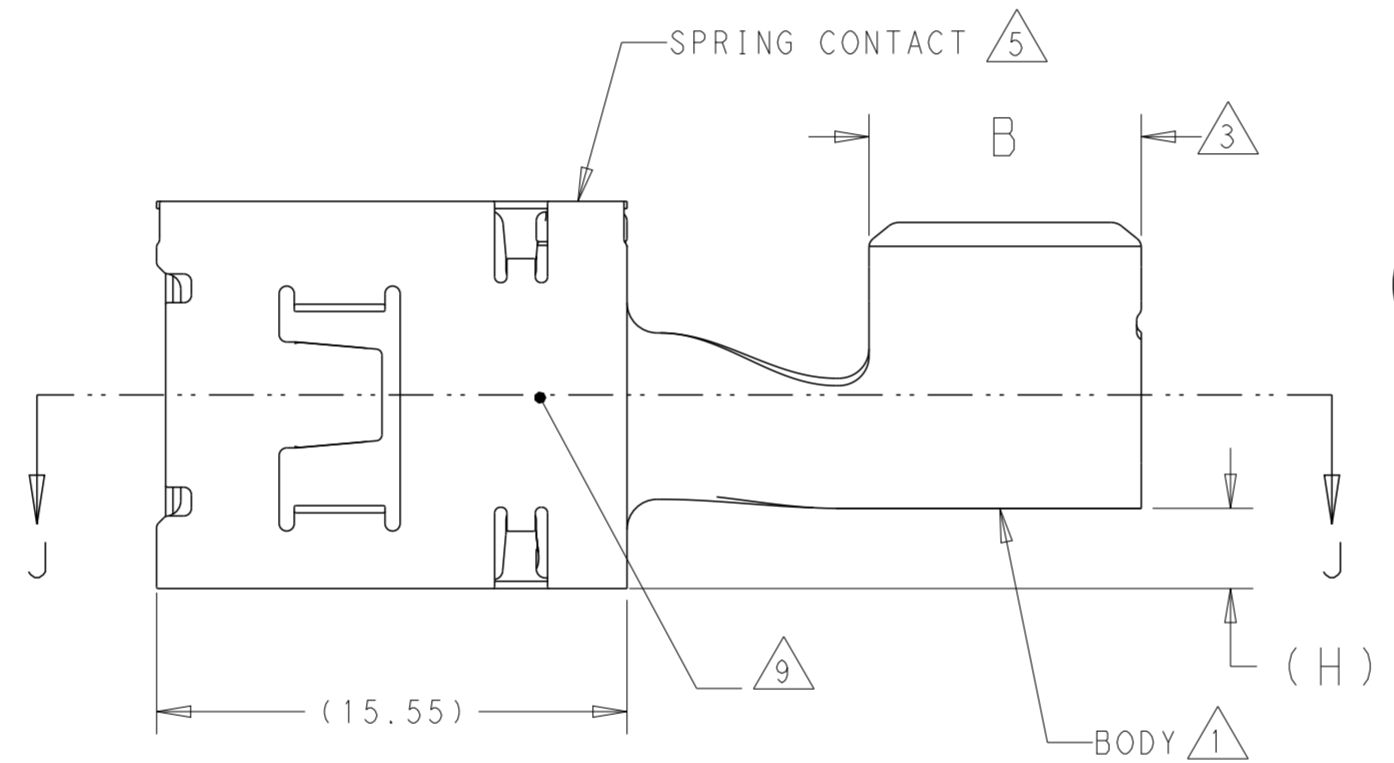


THIS DRAWING IS UNPUBLISHED. RELEASED FOR PUBLICATION
© COPYRIGHT 2017 BY TE CONNECTIVITY CORPORATION ALL RIGHTS RESERVED.

| REVISIONS | | | | | |
|-----------|-----|--------------------------------------|-----------|-----|------|
| P | LTR | DESCRIPTION | DATE | DWN | APVD |
| 1 | | INITIAL DRAWING | 26NOV2016 | VA | AT |
| 2 | | UPDATED TO REFLECT COMPONENT CHANGES | 30AUG2017 | RGV | AT |
| A | | REV PER ECR-18-012427 | 08AUG2018 | MK | WS |
| A1 | | ECR-18-018118 | 16NOV2018 | WS | AT |

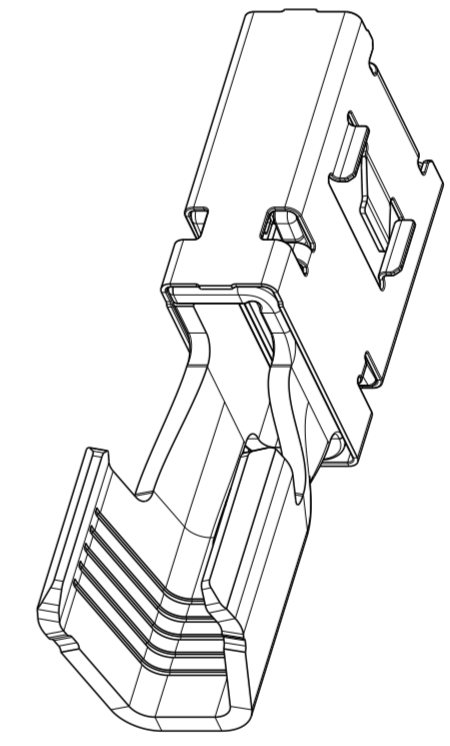
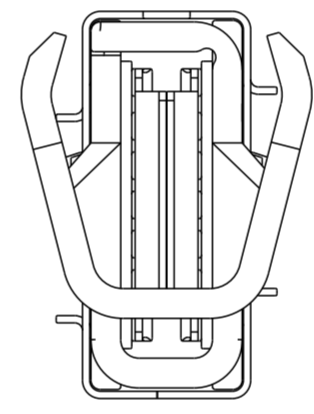
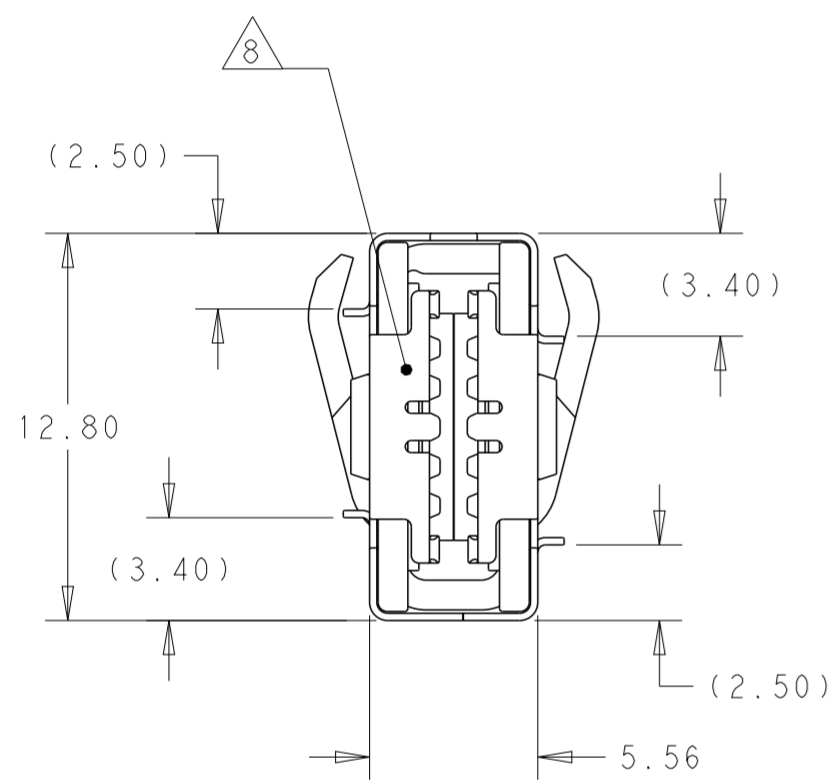


SECTION J-J

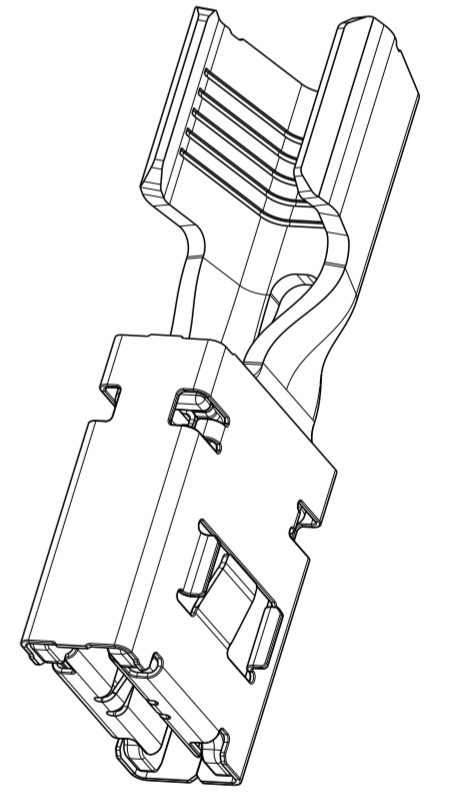


WELD

- 1 BODY MATERIAL: (1.00) THICK COPPER ALLOY
- 2. NOTE REMOVED
- 3 BODY FINISH: SELECTIVE TIN PLATING OVER NICKEL IN GRIP AREA
- 4 BODY FINISH: SELECTIVE SILVER PLATING OVER NICKEL IN CONTACT AREA
- 5 SPRING (0.25) THICK COPPER ALLOY
- 6 WEEK (YWW) LASER MARKED 0.65 HIGH CHARACTERS, LOCATED APPROX AS SHOWN
- 7 NOTE REMOVED
- 8 SPRING FINISH: SELECTIVE TIN OVER NICKEL PLATING
- 9 SPRING FINISH: SELECTIVE SILVER OVER NICKEL PLATING



SCALE 3:1



SCALE 3:1

| | | | | | | | | |
|------|------|------|------|------|-------------------------------|-------------|-------------|-----|
| 2.35 | 9.60 | 9.45 | 2.00 | 9.00 | 10-16 | LOOSE PIECE | 1-2840575-2 | |
| 3.10 | 7.80 | 8.00 | 2.00 | 7.00 | 5-8 | LOOSE PIECE | 1-2840575-1 | |
| (H) | (G) | (F) | (E) | (B) | WIRE RANGE (mm ²) | DESCRIPTION | PART NO | REV |

THIS DRAWING IS A CONTROLLED DOCUMENT.

| | | |
|------------------|------------|-----------|
| DWN | VISHWA A | 26NOV2016 |
| CHK | A TYLER | 26NOV2016 |
| APVD | W. SAMSAIR | 08AUG2018 |
| PRODUCT SPEC | | |
| APPLICATION SPEC | | |
| WEIGHT | 7.18g | |
| CUSTOMER DRAWING | | |

STE TE Connectivity

NAME: RECEPTACLE ASSY, 180 DEG. PCON12

SIZE: A2 CAGE CODE: 00779 DRAWING NO: C-2840575 RESTRICTED TO: -

SCALE: 4:1 SHEET: 1 OF 1 REV: A1

1-2840575-2 SHOWN