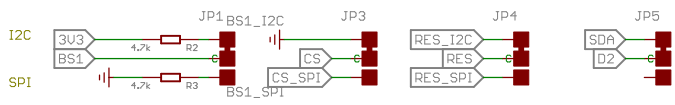
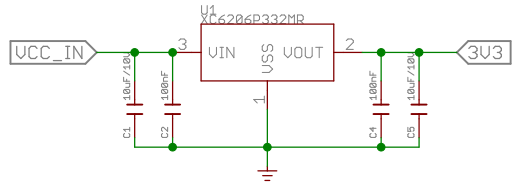
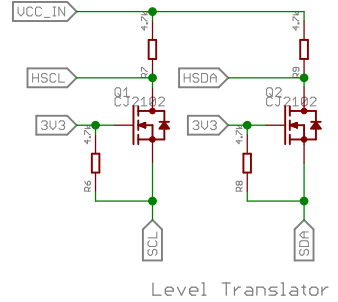
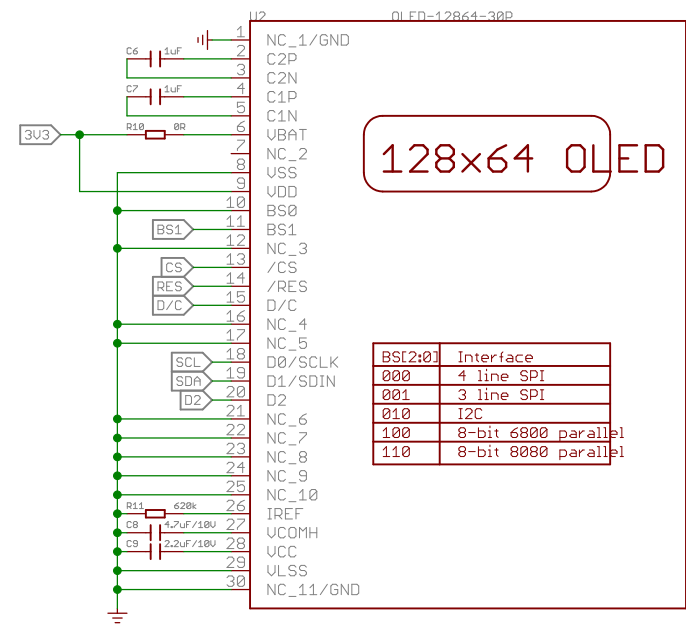


The I2C slave address is 0x78.
If the customer ties D/C# (pin 15) to UCC, the I2C slave address will be 0x7a



	I2C	SPI
BS1	HIGH	LOW
CS	GND	OUTER INPUT
RES	DELAY RESET	OUTER INPUT
D2	D1(SDA)	FLOAT



128x64 OLED

BS[2:0]	Interface
000	4 line SPI
001	3 line SPI
010	I2C
100	8-bit 6800 parallel
110	8-bit 8080 parallel

Seeed Studio

TITLE: Grove - OLED Yellow&Blue Display 0.96 (SSD1315)_V1.0

CC-BY-SA	Design:	Check:
	Date: 2021/4/28 13:57:38	Vision: