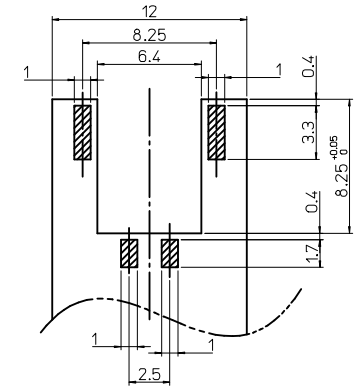
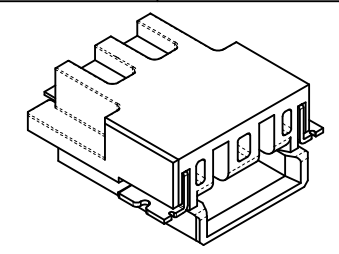
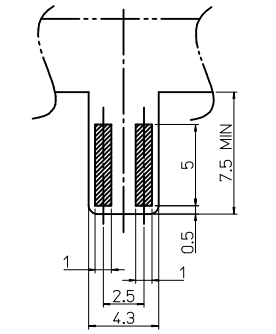
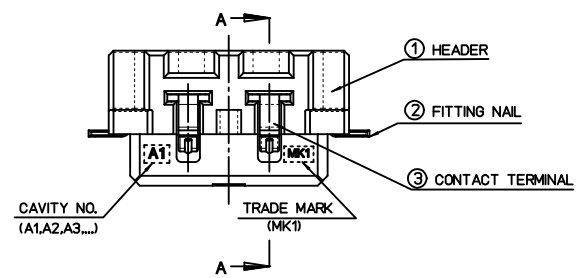
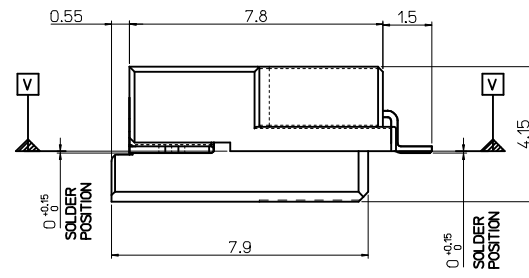
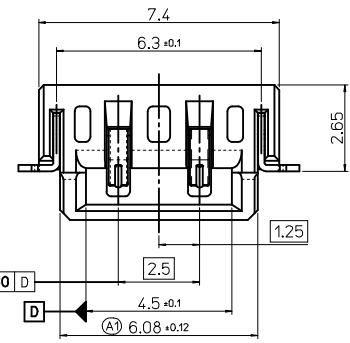


SECTION A-A
(S=1.5:1)



LED BAR PCB LAY OUT
GENERAL TOLERANCE : ±0.05
(S=1:2)



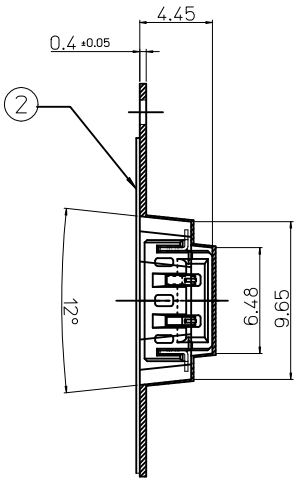
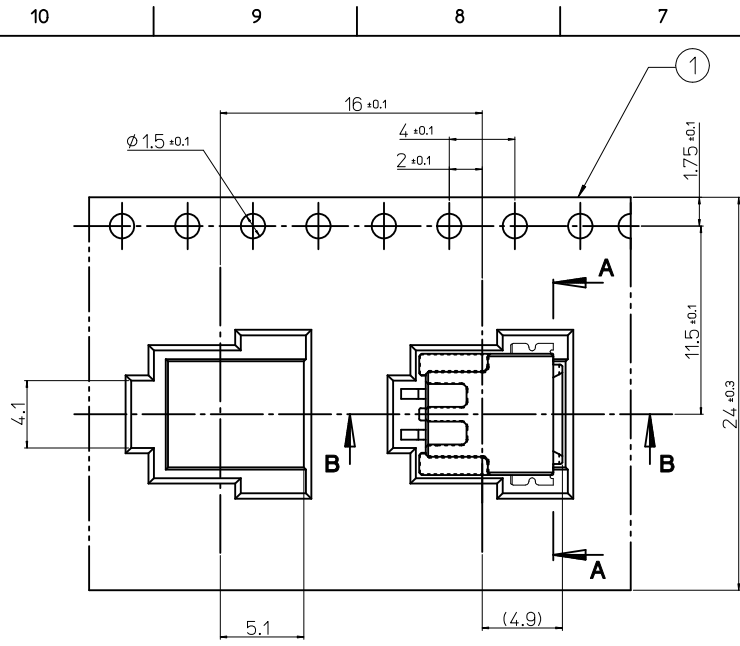
POWER BOARD PCB LAY OUT
GENERAL TOLERANCE : ±0.05
(S=1:2)

NOTE
 1. MATERIALS
 ① - HEADER : LIQUID CRYSTAL POLYMER(LCP), GLASS FILLED, UL94V-0, HALOGEN FREE
 ② - FITTING NAIL : PHOSPHOR BRONZE, 0.2mm THICKNESS
 ③ - CONTACT TERMINAL : PHOSPHOR BRONZE, 0.2mm THICKNESS
 2. FINISHES
 ② - FITTING NAIL :
 PURE-TIN PLATING ON OVERALL THICKNESS 3.0μm~5.0μm
 UNDER PLATING Ni OVERALL THICKNESS 1.25μm~3.75μm
 ③ - CONTACT TERMINAL :
 PURE-TIN PLATING ON OVERALL THICKNESS 3.0μm~5.0μm
 UNDER PLATING Ni OVERALL THICKNESS 1.25μm~3.75μm
 3. PRODUCT SPECIFICATION : PS-104146-001
 4. PACKAGING SPECIFICATION : PK-104146-001
 5. COPLANALITY OF SOLDER TAILS (PEAK TEMP. : 260°C), BEFORE & AFTER REFLOW : 0.10MAX

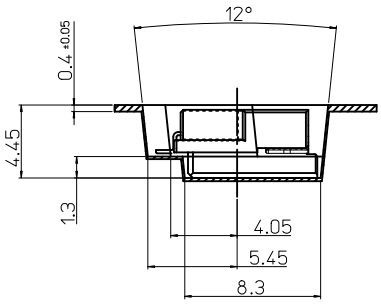
[TABLE]

NO.	MATERIAL NO.	COLOR
1	104146-0210	NATURAL
2	104146-0211	BLACK

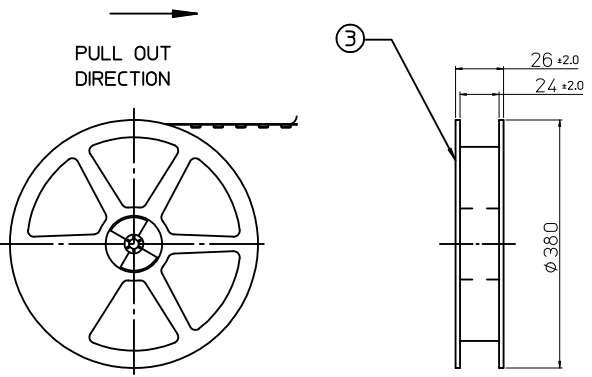
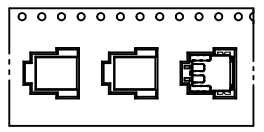
REVISED EC NO: KOR2013-0050 DRWN: JSSHIN CHKD: SHCHU APPR: YSK1M02 2012/10/18 2012/10/18 2012/12/21	QUALITY SYMBOLS ▽=0 ▽=0	GENERAL TOLERANCES (UNLESS SPECIFIED)		DIMENSION STYLE MM ONLY		SCALE 10:1	DESIGN UNITS METRIC	THIRD ANGLE PROJECTION		
		4 PLACES ± --- ± ---	mm INCH	DRAWN BY JS. SHIN	DATE 2011/09/05	TITLE 2.5MM PITCH CONN. -2P (CARD EDGE TYPE) HEADER ASS'Y				
		3 PLACES ± --- ± ---	± 0.20 ± ---	CHECKED BY SH. CHU	DATE 2011/09/05	MOLEX INCORPORATED				
		2 PLACES ± 0.20 ± ---	± 0.20 ± ---	APPROVED BY YSK1M02	DATE 2012/04/25	SD-104146-001				
1 PLACE ± 0.20 ± ---	ANGULAR ± 1°	MATERIAL NO. SEE TABLE		DOCUMENT NO. SD-104146-001		SHEET NO. 1 OF 1				
DRAFT WHERE APPLICABLE MUST REMAIN WITHIN DIMENSIONS	SIZE A3	THIS DRAWING CONTAINS INFORMATION THAT IS PROPRIETARY TO MOLEX INCORPORATED AND SHOULD NOT BE USED WITHOUT WRITTEN PERMISSION								



SECTION A-A



SECTION B-B



PLASTIC BOBBIN

NOTES

1. QUANTITY OF CONNECTORS : 1,300 PCS/REEL
2. LEAD LENGTH
3. PEELING OFF FORCE OF COVER TAPE : 0.1N~0.59N(10.2GF~60GF)
 (PEELING DIRECTION AS SHOW IN FOLLOW FIG.)
 PEELING OFF SPEED : 300mm/Min.(Ref.)
4. FLASH IN ANY PORTION SHOULD BE LESS THAN 0.20mm MAX.
5. UNLESS OTHERWISE SPECIFIED INNER R0.2 MAX
6. DRAFT ANGLE 3°MAX

[TABLE]

104146-0211	BLACK	24.0mm
104146-0210	NATURAL	
MATERIAL NO.	COLOR	TAPE WIDTH

3	PLASTIC BOBBIN	HI P.S	WHITE
2	COVER TAPE	PET ANTISTATIC	21.3m
1	CARRIER (EMBOSSD) TAPE	PET ANTISTATIC	
NO.	DESCRIPTION	MATERIAL	REMARK

RELEASED EC NO: DRWN: JSSHIN CHKD: SHCHU APPR:	2012/04/23 2012/04/23 DESCRIPTION A	QUALITY SYMBOLS ▽=0 ▽=0	GENERAL TOLERANCES (UNLESS SPECIFIED) <table border="1"> <tr> <td></td> <td>mm</td> <td>INCH</td> </tr> <tr> <td>4 PLACES</td> <td>± ---</td> <td>± ---</td> </tr> <tr> <td>3 PLACES</td> <td>± ---</td> <td>± ---</td> </tr> <tr> <td>2 PLACES</td> <td>± 0.20</td> <td>± ---</td> </tr> <tr> <td>1 PLACE</td> <td>± 0.20</td> <td>± ---</td> </tr> </table>		mm	INCH	4 PLACES	± ---	± ---	3 PLACES	± ---	± ---	2 PLACES	± 0.20	± ---	1 PLACE	± 0.20	± ---	DIMENSION STYLE MM ONLY	SCALE DESIGN UNITS METRIC	THIRD ANGLE PROJECTION
			mm	INCH																	
		4 PLACES	± ---	± ---																	
		3 PLACES	± ---	± ---																	
2 PLACES	± 0.20	± ---																			
1 PLACE	± 0.20	± ---																			
DRAFT WHERE APPLICABLE MUST REMAIN WITHIN DIMENSIONS			DRAWN BY JS. SHIN DATE 2011/10/07	TITLE 2.5MM PITCH CONN. -2P (CARD EDGE TYPE) EMBOSSD PACKAGE	MOLEX INCORPORATED																
SEE TABLE			CHECKED BY SH. CHU DATE 2011/10/07	APPROVED BY YS00.KIM DATE 2011/10/07	MATERIAL NO.	DOCUMENT NO. SD-104146-002															
SIZE A3			THIS DRAWING CONTAINS INFORMATION THAT IS PROPRIETARY TO MOLEX INCORPORATED AND SHOULD NOT BE USED WITHOUT WRITTEN PERMISSION																		