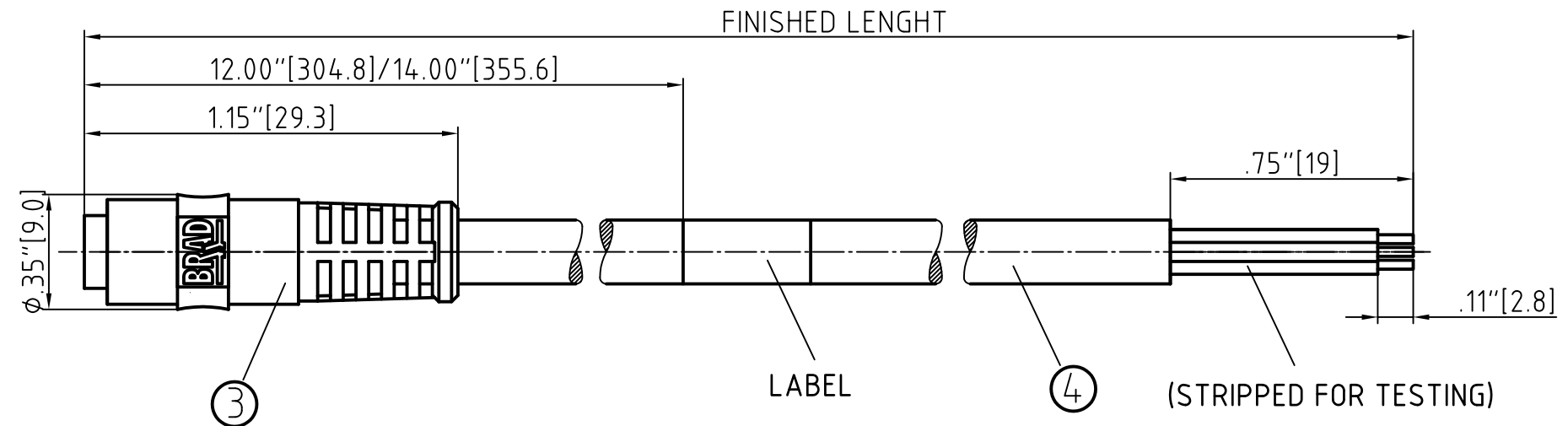
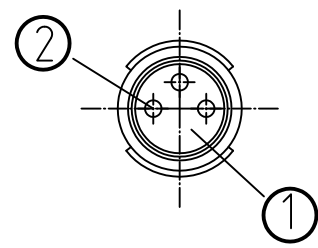


FACE VIEW



FEMALE FACE VIEW	
3-POLE	4-POLE
1 BROWN 3 BLUE 4 BLACK	1 BROWN 2 WHITE 3 BLUE 4 BLACK

POLE	MATERIAL NUMBER	ENGINEERING NUMBER	FINISHED LENGHT IN/MM
3	1200880002	503000B09M020	6.56' +3.50" -0 [2.0M +88.9 -0]
3	1200880030	503000B09M050	16.40' +6.50" -0 [5.0M +165.1 -0]
3	1200880004	503000B09M100	32.81' +12.50" -0 [10.0M +317.5 -0]
4	1200880082	504000B09M050	16.40' +6.50" -0 [5.0M +165.1 -0]

CONNECTOR SPECIFICATION:	
VOLTAGE RATING	3-4POL:60V/AC 75V/DC
AMPERAGE RATING	3 AMPS
PROTECTION	IP65
OPERATING TEMPERATURE	-25°C TO +80°C
UL CERTIFICATIONS	UL listed, File #E152210
CSA CERTIFICATIONS	CSA CERTIFIED, File LR6837

ITEM	COMPONENT	MATERIAL	FINISH
1	INSERT	POLYURETHANE (PUR)	BLACK
2	CONTACT SOCKET	COPPER ALLOY	GOLD OVER NICKEL
3	OVERMOLD	TPE	YELLOW
4	CABLE- 24 AWG, (COPPER STRANDING) 3/4 CONDUCT. 300V	JACKET: PUR	YELLOW

DESCRIPTION EC NO.: WEU2010-0297 DRWN: REISSNER 2010/01/22 CHK'D: FP APPR: NSTAUDIG 2010/01/29	QUALITY SYMBOLS	GENERAL TOLERANCES (UNLESS SPECIFIED)	DIMENSION STYLE	SCALE	DESIGN UNITS	THIRD ANGLE PROJECTION
	$\nabla = 0$ $\nabla \text{C} = 0$	mm INCH 4 PLACES ± --- ± --- 3 PLACES ± --- ± --- 2 PLACES ± --- ± .01 1 PLACE ± 0.3 ± --- ANGULAR ± --- °	IN/MM	2:1	METRIC	
	DRAFT WHERE APPLICABLE MUST REMAIN WITHIN DIMENSIONS	SEE TABLE	DRAWN BY DATE REISSNER 2010/01/22 CHECKED BY DATE FP 2010/01/21 APPROVED BY DATE NSTAUDIG 2010/01/28	NC 3/4P FE STR SNAP 24AWG PUR ---- MOLEX INCORPORATED		
	SIZE A3	THIS DRAWING CONTAINS INFORMATION THAT IS PROPRIETARY TO MOLEX INCORPORATED AND SHOULD NOT BE USED WITHOUT WRITTEN PERMISSION				