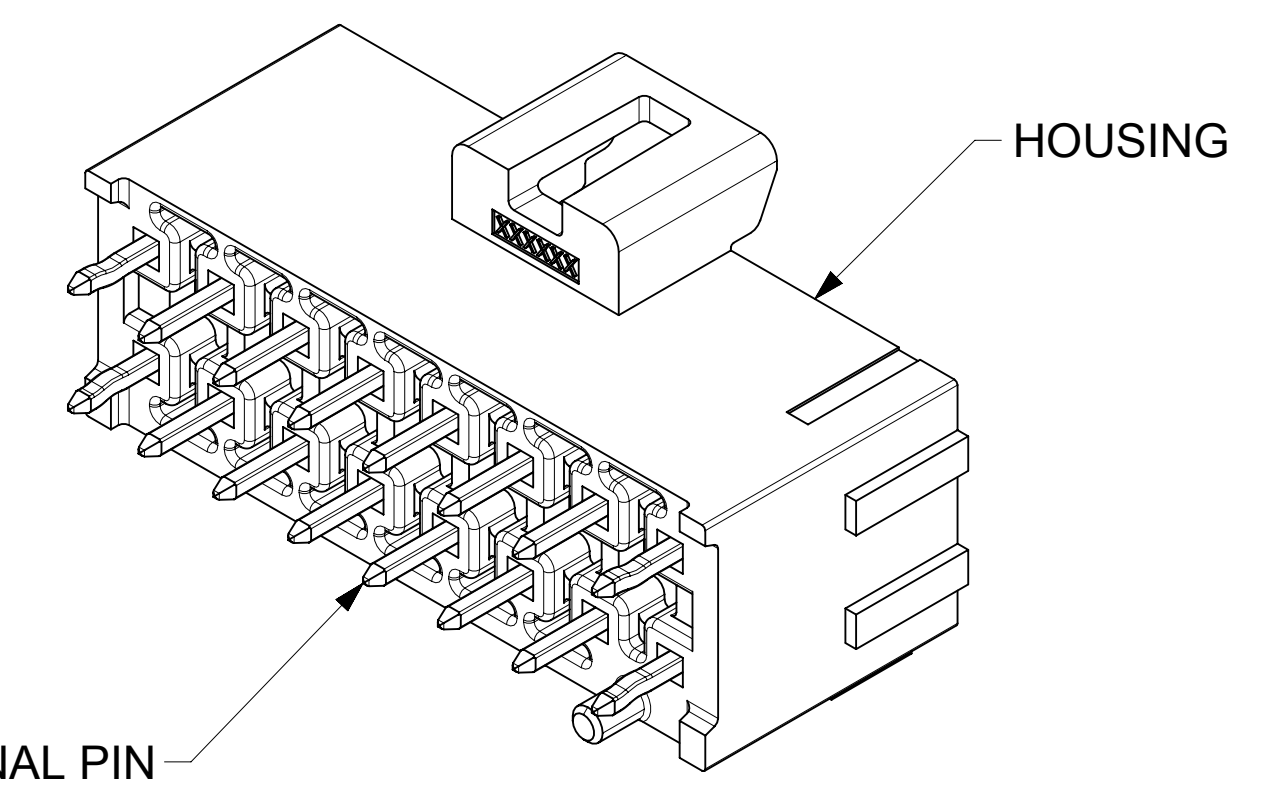
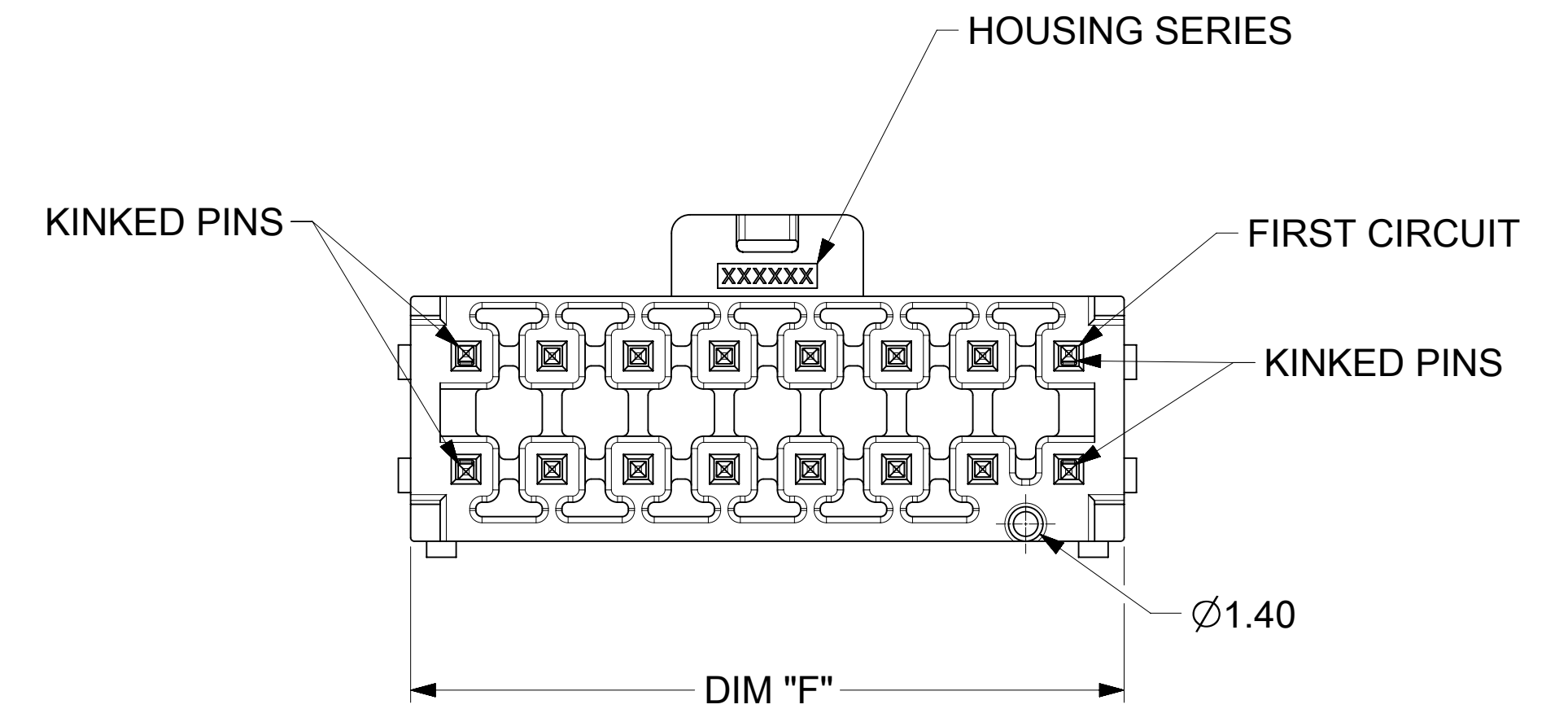
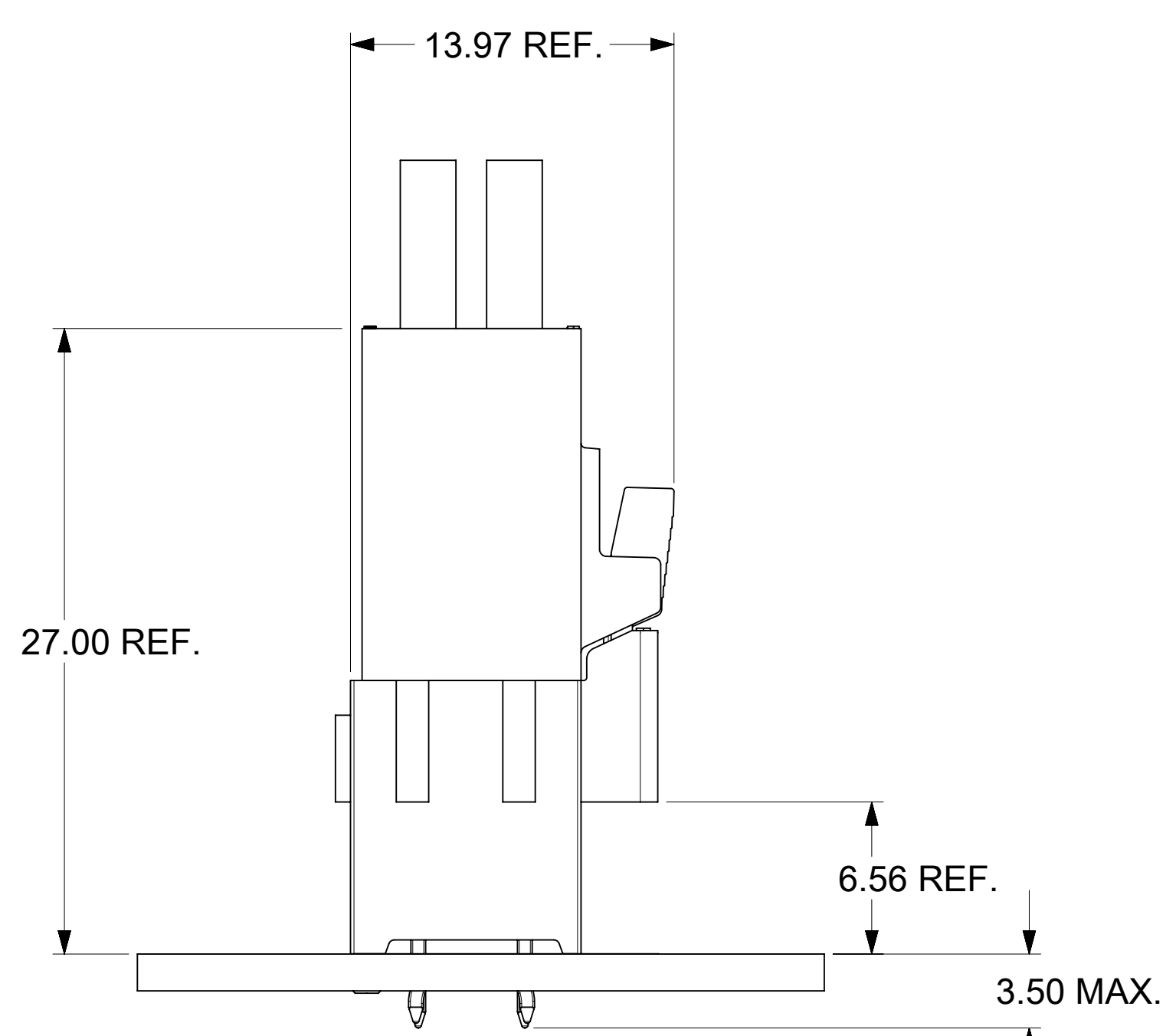


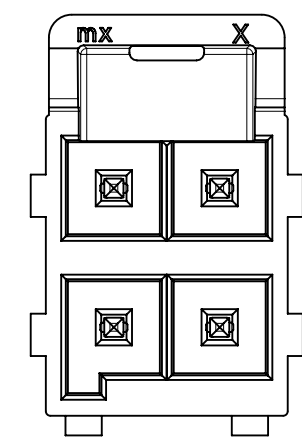
SECTION Y-Y  
SCALE 8:1



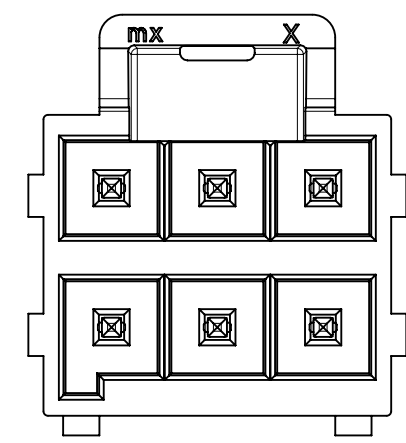
- NOTES:
- MATERIAL :  
HOUSING  
OPTION 1: LCP BLACK, UL94 V-0  
OPTION 2: LCP NATURAL, UL94 V-0  
TERMINAL: COPPER ALLOY
  - PLATING FINISH:  
OPTION 1 - 1.52µm(60µin)-2.54µm(100µin) TIN OVER,  
1.27µm(50µin)-2.54µm(100µin) NICKEL OVERALL,  
OPTION 2 - 0.38µm(15µin) GOLD CONTACT AREA,  
1.52µm(60µin)-2.54µm(100µin) TIN TAIL AREA OVER,  
1.27µm(50µin)-2.54µm(100µin) NICKEL OVERALL.  
OPTION 3 - 0.76µm(30µin) GOLD CONTACT AREA,  
1.52µm(60µin)-2.54µm(100µin) TIN TAIL AREA OVER,  
1.27µm(50µin)-2.54µm(100µin) NICKEL OVERALL.
  - PACKAGE SPECIFICATION REFER TO CHART IN SHEET 3.
  - PRODUCT SPECIFICATION PS-172323-0001.
  - PART MATES WITH MOLEX RECEPTACLE HOUSING 172258 AND 172262.
  - PART CONFORMS TO CLASS "C" REQUIREMENTS OF SPECIFICATION PS-45499-002 WITH 0.13 MM MAXIMUM FLASH ALLOWED IN CORE HOLES AND FRONT SURFACE.
  - DISCOLORATION IN THE BANDOLIER AREA OF THE PIN IS INHERENT TO THE PLATING PROCESS AND IS DUE TO THE MASKING EFFECT OF THE CARRIER. THIS DISCOLORATION IS IN A NON-FUNCTIONAL AREA OF THE PIN AND WILL NOT AFFECT THE PERFORMANCE OF THE HEADER ASSEMBLY.
  - APPLICATION SPECIFICATION: AS-172323-0001



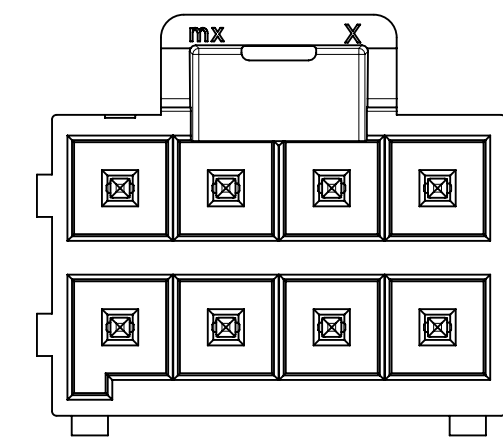
|  |   |                        |                   |                            |   |              |  |
|--|---|------------------------|-------------------|----------------------------|---|--------------|--|
| FUNCTIONAL SYMBOLS<br>FA = 0<br>FE = 0<br>FP = 0     | THIS DRAWING CONTAINS INFORMATION THAT IS PROPRIETARY TO MOLEX ELECTRONIC TECHNOLOGIES, LLC AND SHOULD NOT BE USED WITHOUT WRITTEN PERMISSION |                        | CURRENT REV DESC: |                            |   |              |  |
|  | DIMENSION UNITS   | SCALE                  |                   |                            |   |              |  |
|  | mm  | 4:1                    |                   |                            | ULTRA-FIT VERT HEADER<br>4-16 CKTS DUAL ROW KINKED PINS |              |  |
|  | GENERAL TOLERANCES (UNLESS SPECIFIED)   |                        |                   |                            | PRODUCT CUSTOMER DRAWING                                |              |  |
| ANGULAR TOL ± °                                      |   |                        |                   | DOCUMENT NUMBER            |   |              |  |
| 4 PLACES ±   |   |                        |                   | SD-172298-1000             |   |              |  |
| 3 PLACES ±   |   |                        |                   | DOC TYPE DOC PART REVISION |   |              |  |
| 2 PLACES ± 0.25                                      |   |                        |                   | PSD 000 D1                 |   |              |  |
| 1 PLACE ± 0.5  |   |                        |                   | MATERIAL NUMBER            |   |              |  |
| 0 PLACES ±   |   |                        |                   | CUSTOMER                   |   |              |  |
| DRAFT WHERE APPLICABLE MUST REMAIN WITHIN DIMENSIONS |   | THIRD ANGLE PROJECTION |                   | DRAWING                    |   | SHEET NUMBER |  |
|  |   | D-SIZE                 |                   | SERIES                     |   | 1 OF 3       |  |
|  |   |                        |                   | 172298                     |   |              |  |
|  |   |                        |                   | GENERAL MARKET             |   |              |  |



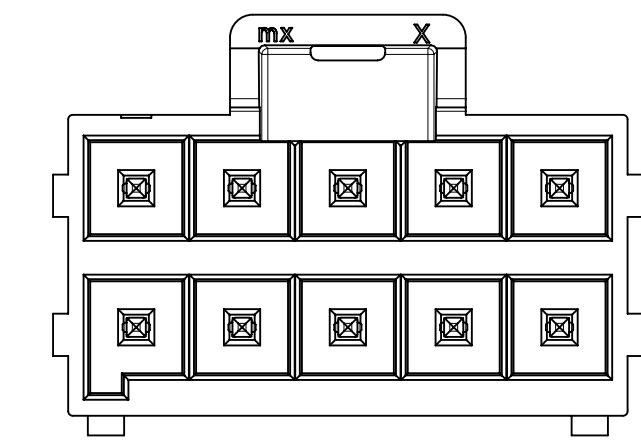
4 CKT



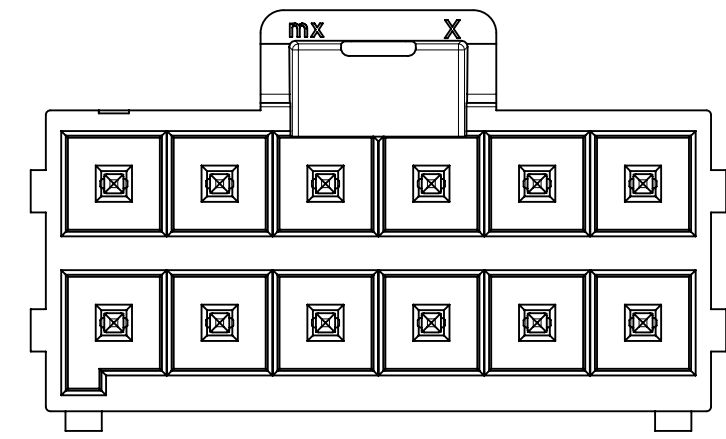
6 CKT



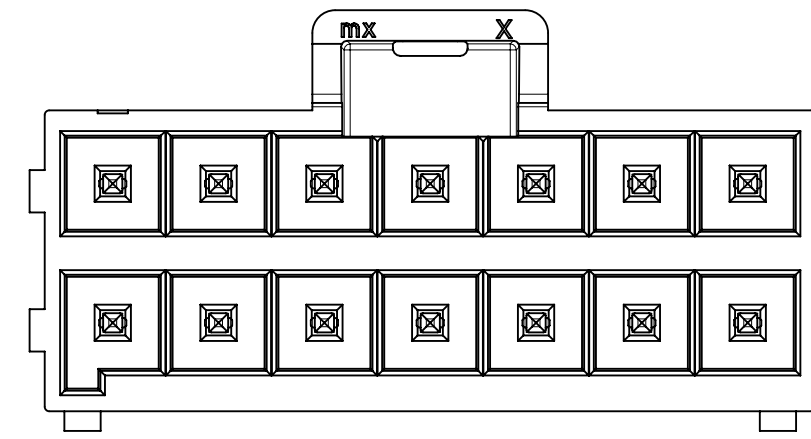
8 CKT



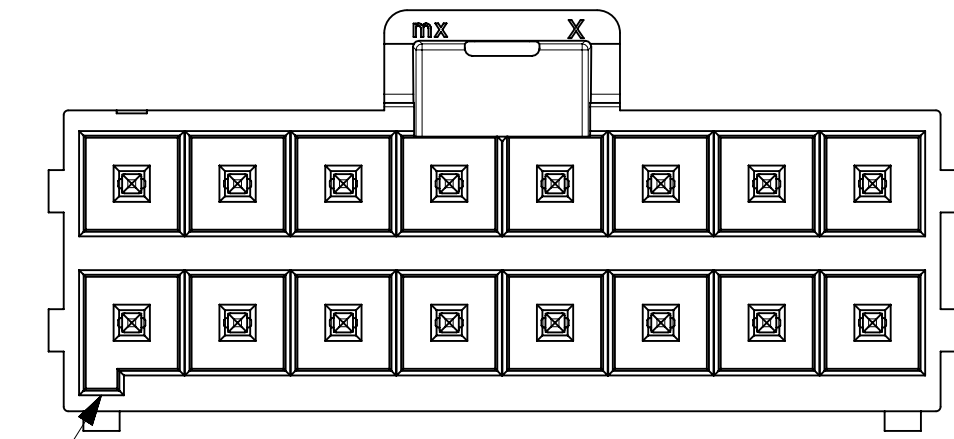
10 CKT



12 CKT

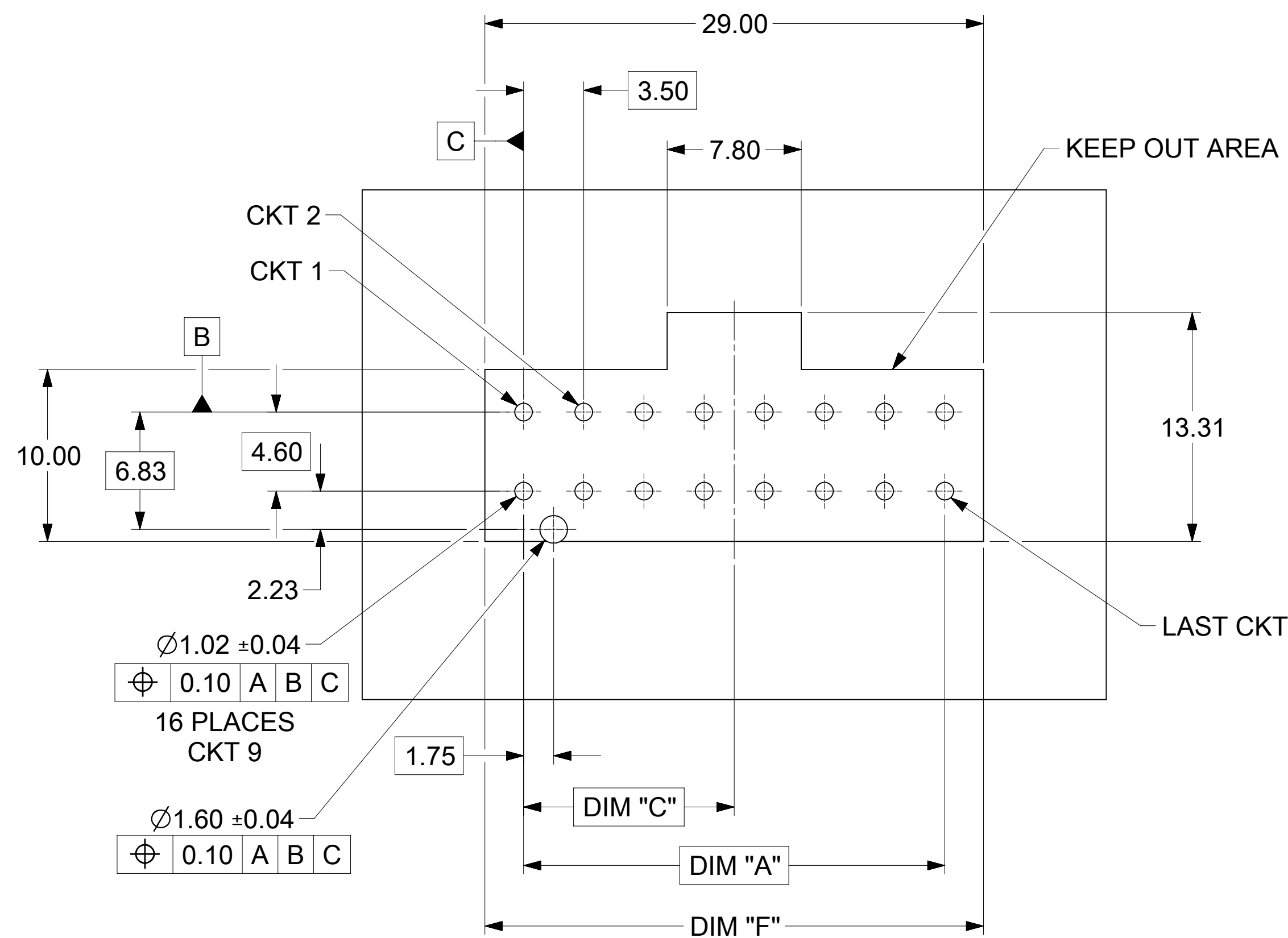


14 CKT

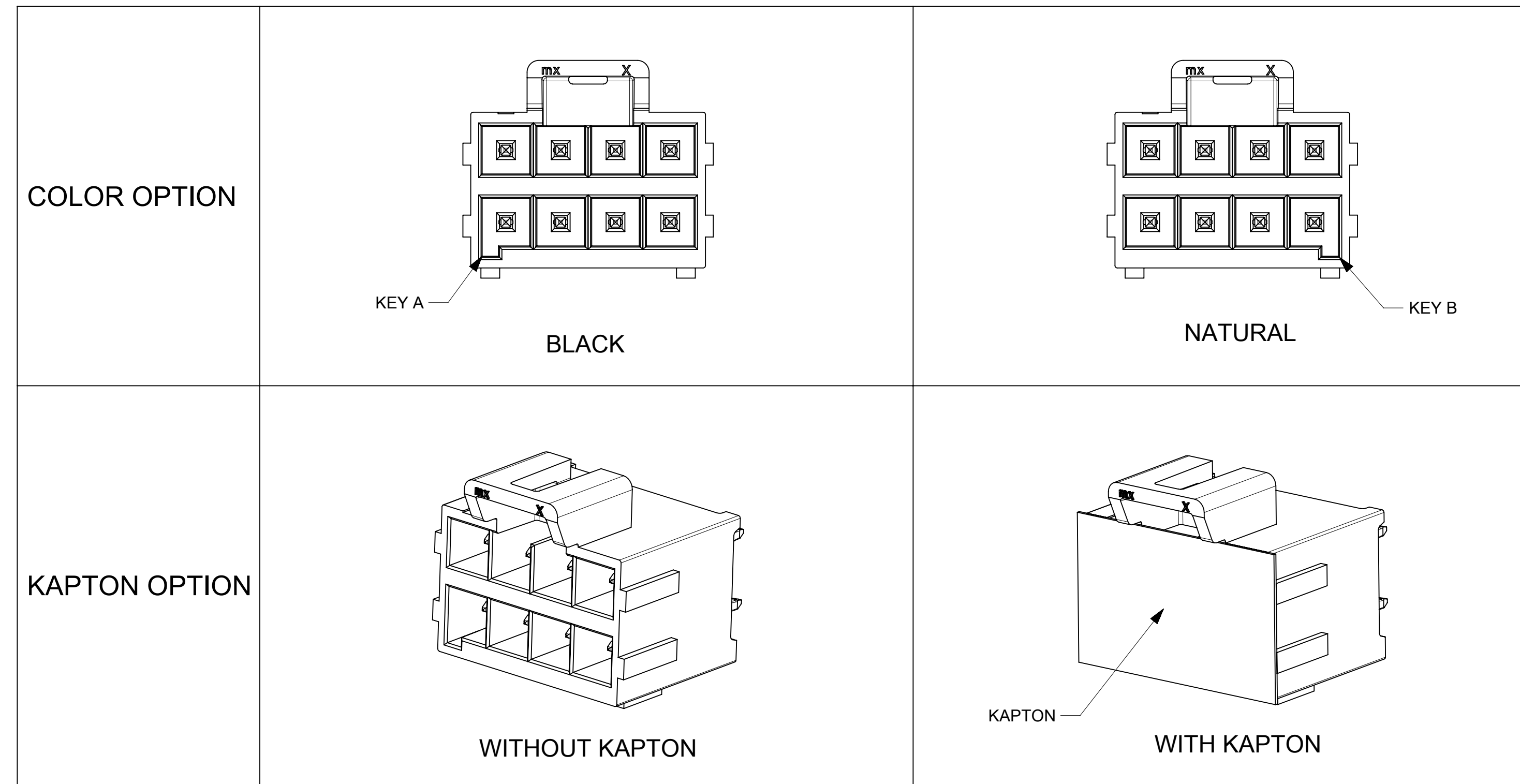


KEY A  
(BLACK)

16 CKT



NOTE: DATUM -A- IS ON PCB COMPONENT SIDE



|  |   |                        |                           |                           |   |
|--|---|------------------------|---------------------------|---------------------------|---|
| FUNCTIONAL SYMBOLS                                   | THIS DRAWING CONTAINS INFORMATION THAT IS PROPRIETARY TO MOLEX ELECTRONIC TECHNOLOGIES, LLC AND SHOULD NOT BE USED WITHOUT WRITTEN PERMISSION |                        | CURRENT REV DESC:         |                           |   |
|  | DIMENSION UNITS   | SCALE                  |                           |                           |   |
| FA = 0   | mm  | 4:1                    |                           |                           | ULTRA-FIT VERT HEADER<br>4-16 CKTS DUAL ROW KINKED PINS |
| FC = 0   | GENERAL TOLERANCES (UNLESS SPECIFIED)   |                        |                           |                           |   |
| FD = 0   | ANGULAR TOL ± °   |                        |                           |                           | PRODUCT CUSTOMER DRAWING                                |
| DIVISIONAL SYMBOLS                                   | 4 PLACES ±  |                        | EC NO: 693485             |                           |   |
|  | 3 PLACES ±  |                        | DRWN: GLLI 2022/01/21     |                           |   |
|  | 2 PLACES ± 0.25   |                        | CHK'D: XQZHANG 2022/01/26 |                           |   |
|  | 1 PLACE ± 0.5   |                        | APPR: XQZHANG 2022/01/26  |                           |   |
|  | 0 PLACES ±  |                        | INITIAL REVISION:         |                           |   |
| DRAFT WHERE APPLICABLE MUST REMAIN WITHIN DIMENSIONS |   | THIRD ANGLE PROJECTION |                           | DRWN: DROSCA 2014/03/04   | DOCUMENT NUMBER<br><b>SD-172298-1000</b>                |
|  |   | DRAWING                |                           | APPR: JCOMERCI 2014/04/24 |   |
|  |   | D-SIZE                 |                           | SERIES                    | DOC TYPE DOC PART REVISION                              |
|  |   | 172298                 |                           |                           | PSD 000 D1  |
|  |   |                        |                           | MATERIAL NUMBER           | CUSTOMER  |
|  |   |                        |                           |                           | GENERAL MARKET  |
|  |   |                        |                           |                           | SHEET NUMBER  |
|  |   |                        |                           |                           | 2 OF 3  |

