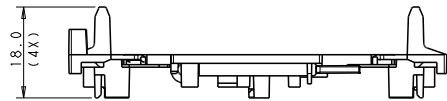
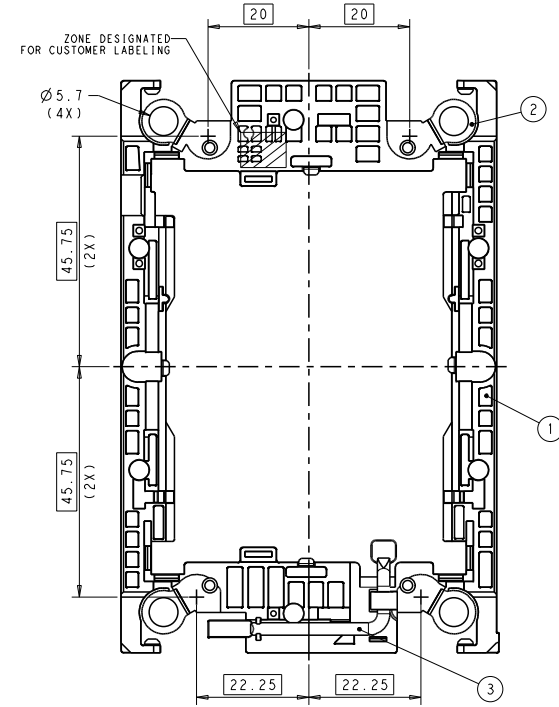
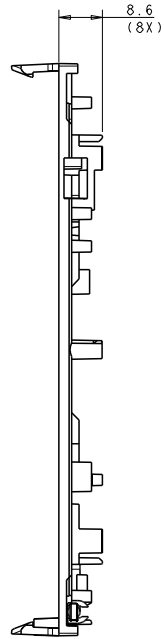
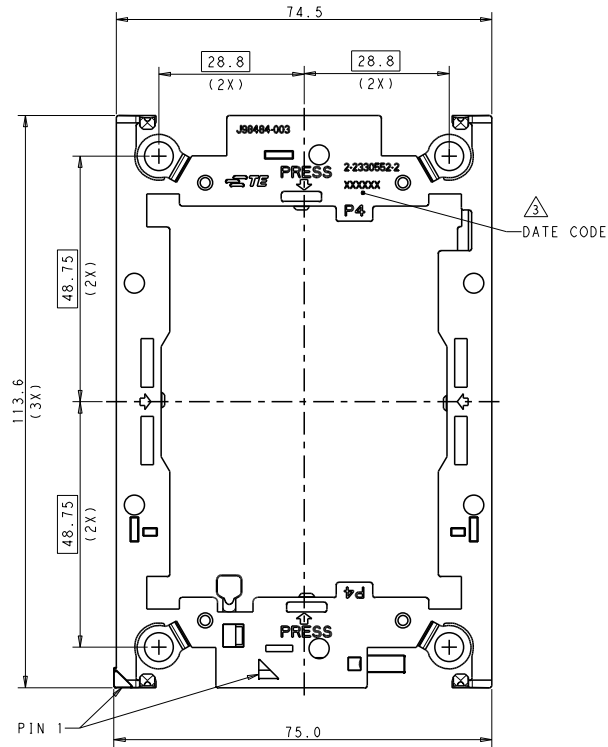


REVISIONS				
REV	DATE	BY	APP'D	DESCRIPTION
B1	23 JUN 2012	W S L		REVISED

PN 2-2330552-2 AS SHOW

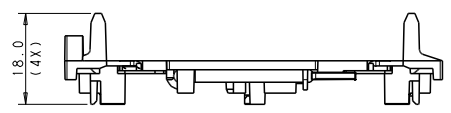
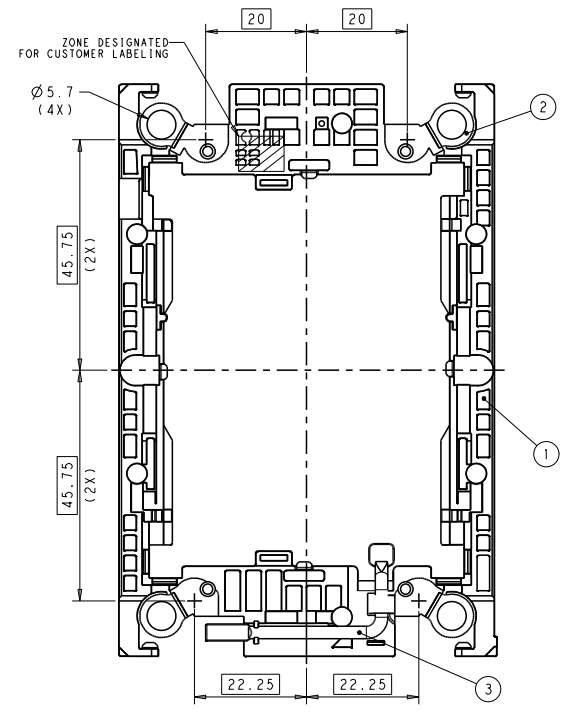
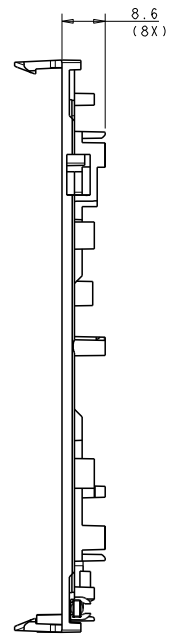
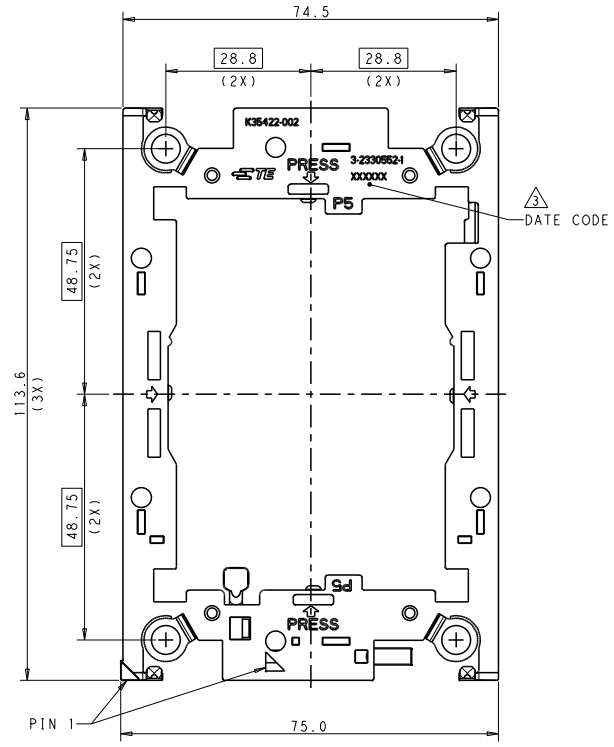


- NOTE:
- MATERIAL:
 - ① CARRIER: PC-ABS, BLACK, UL94V-0
 - ② SHIM: STAINLESS STEEL
 - ③ TIM BREAK LEVER: STAINLESS STEEL
 - THIS PRODUCT IS APPLICABLE FOR LGA4189 SOCKET.
 - INDICATED DATE CODE ON THE CARRIER

THIS DRAWING IS A CONTROLLED DOCUMENT.		REV: 08FEB2018	REF. WANG	
DIMENSIONS:		CHK: 08FEB2018	BILL. J.V.	
MATERIAL:		DATE: 08FEB2018	NAME: SIMON L.L.	
FINISH:		PRODUCT SPEC:	APPLICATION SPEC:	
SCALE: 2:1		SIZE: A	EAGE CODE: 00779	DRAWING NO: 2330552
CUSTOMER DRAWING		RESTRICTED TO:		SHEET 1 OF 2

REVISIONS				
REV	DATE	DESCRIPTION	BY	APP
-	-	SEE SHEET 1	-	-

PN 3-2330552-1 AS SHOW



- NOTE:
- MATERIAL:
 - ① CARRIER: PC-ABS, GREY, UL94V-0
 - ② SHIM: STAINLESS STEEL
 - ③ TIM BREAK LEVER: STAINLESS STEEL
 - THIS PRODUCT IS APPLICABLE FOR LGA4189 SOCKET.
 - INDICATED DATE CODE ON THE CARRIER

THIS DRAWING IS A CONTROLLED DOCUMENT.		REV. REF. MANG. 08FEB2018	TE Connectivity	
DIMENSIONS: (UNLESS OTHERWISE SPECIFIED)		CHK. BILL. I.V. 08FEB2018		
MATERIAL: FINISH:		DESIGNED BY: SIMON J.L.	NAME:	CPX POINT PHM CARRIER ASSY, P5
DRAWING NO. 00779		APPLICATION SPEC:	SIZE: A	EAGE CODE: 2330552
CUSTOMER DRAWING		SCALE: 2:1	SHEET: 2 of 2	REV: 01