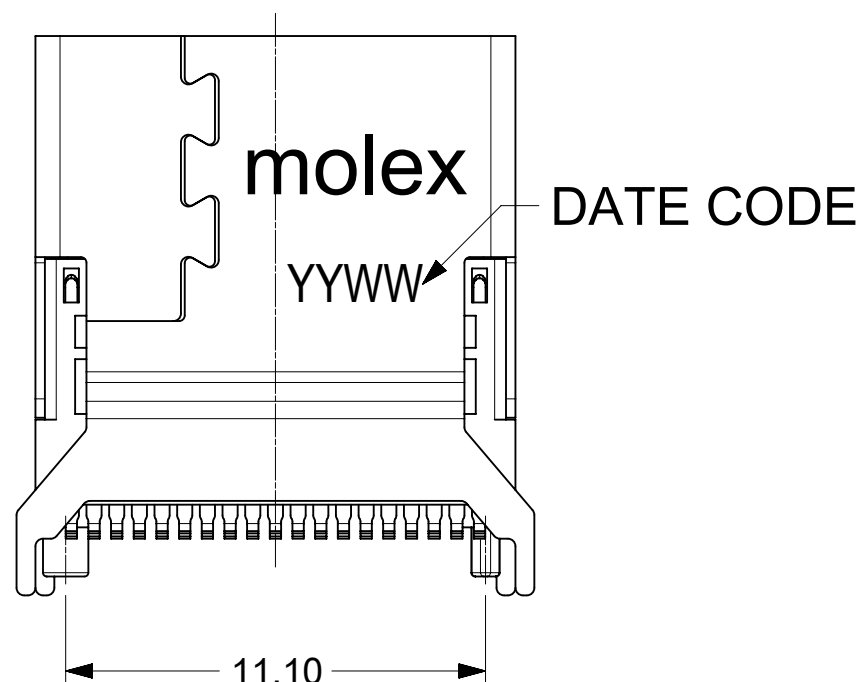
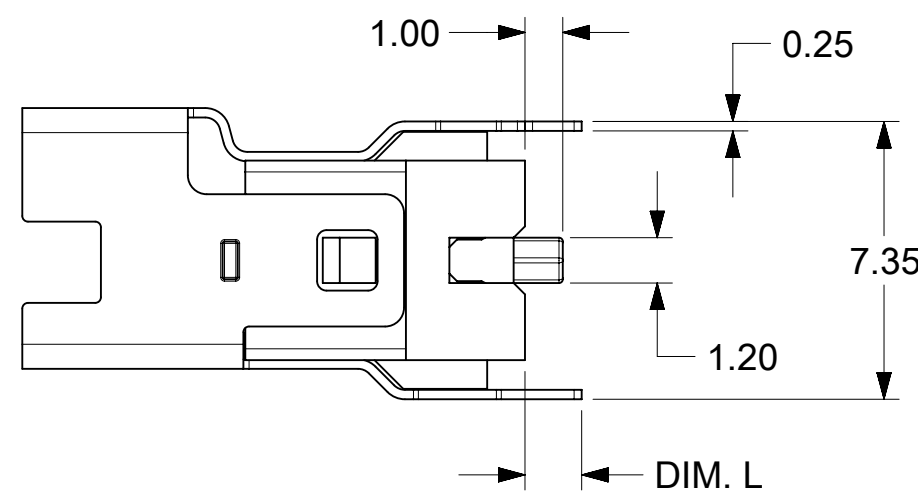
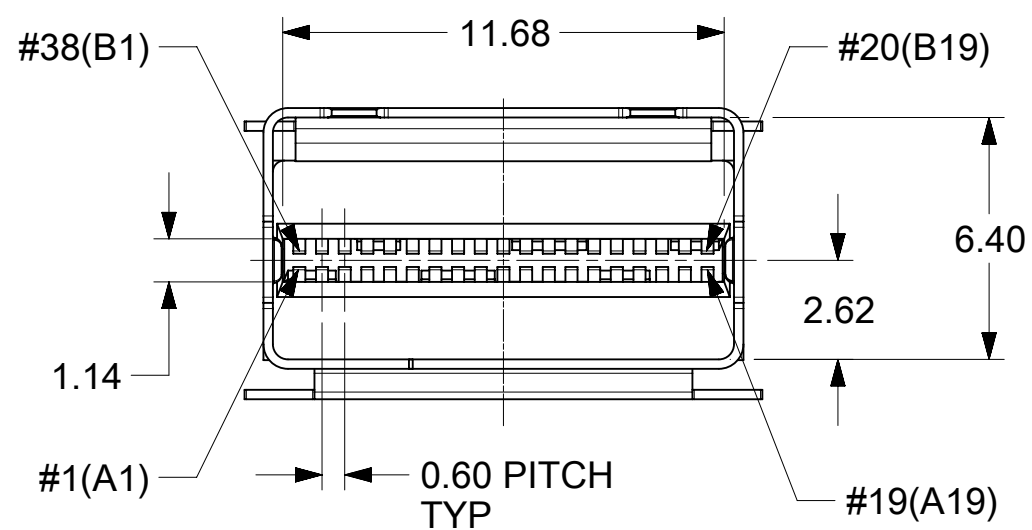


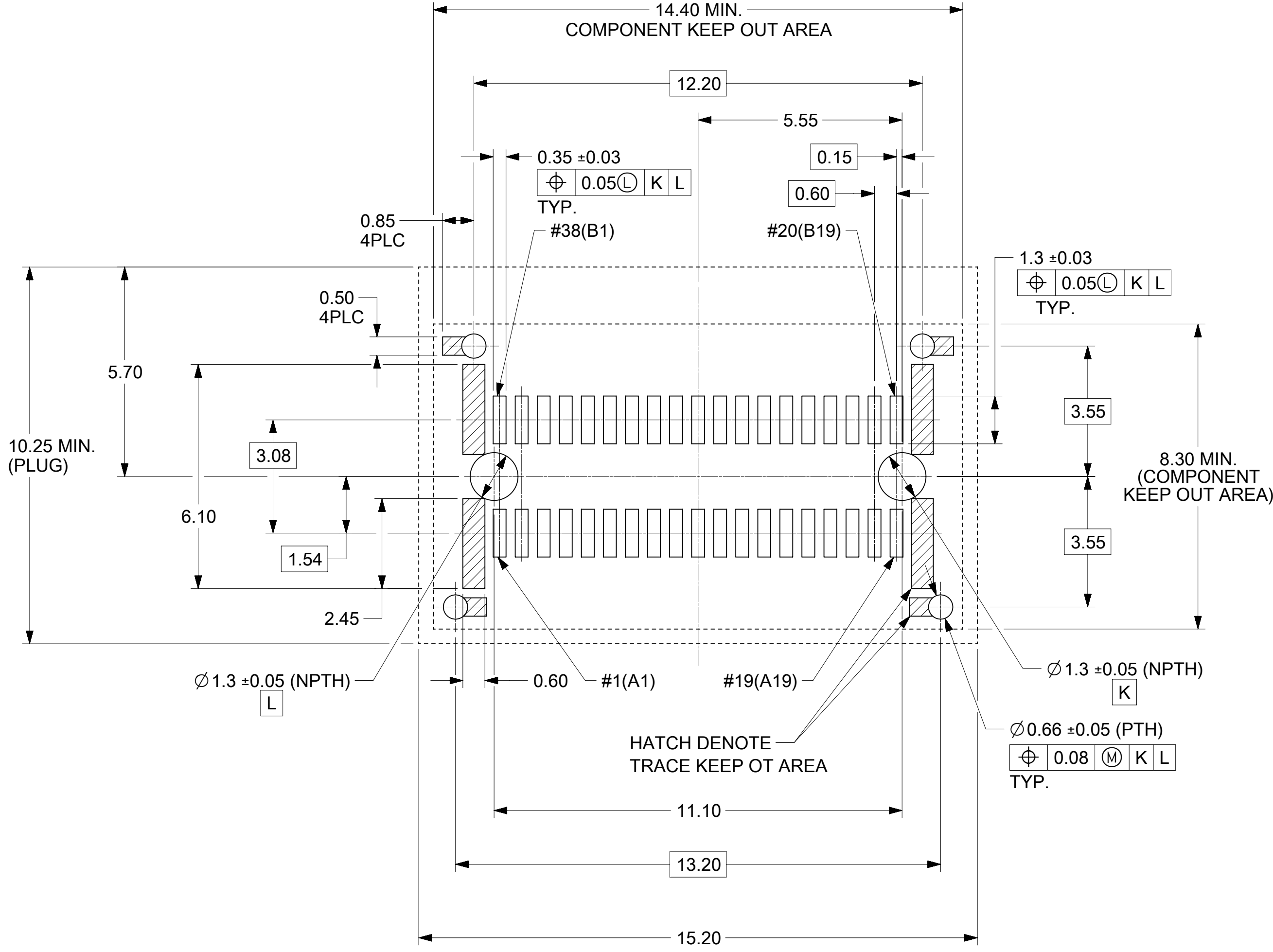
NOTE:

- MATERIAL:  
 HOUSING : LCP, UL94-V0, BLACK OR NATURAL COLOR  
 INSERT MOLD: LCP, UL94-V0, BLACK COLOR  
 CONTACT: COPPER ALLOY  
 GROUND: COPPER ALLOY  
 SHELL: NICKEL SILVER
- FINISH:  
 CONTACT:  
 GOLD PLATING (SEE TABLE) ON CONTACT AREA  
 100u" MIN. MATTE TIN PLATING ON SOLDER TAIL  
 50u" MIN. NICKEL UNDER PLATING OVERALL  
 GROUND:  
 50u" MIN. NICKEL PLATING OVERALL
- SOLDERTAILS COPLANARITY TO BE 0.1 MAXIMUM.
- ROHS COMPLIANT



|           |               |        |             |
|-----------|---------------|--------|-------------|
| NATURAL   | 0.375um[15u"] | 4.2    | 2119661118  |
|           |               | 3.0    | 2119661117  |
|           |               | 2.2    | 2119661116  |
|           | 0.75um[30u"]  | 1.5    | 2119661115  |
|           |               | 4.2    | 2119661114  |
|           |               | 3.0    | 2119661113  |
| BLACK     | 0.375um[15u"] | 2.2    | 2119661112  |
|           |               | 1.5    | 2119661111  |
|           |               | 4.2    | 2119661108  |
|           | 0.75um[30u"]  | 3.0    | 2119661107  |
|           |               | 2.2    | 2119661106  |
|           |               | 1.5    | 2119661105  |
| HSG COLOR | GOLD PLATING  | 4.2    | 2119661104  |
|           |               | 3.0    | 2119661103  |
|           |               | 2.2    | 2119661102  |
|           |               | 1.5    | 2119661101  |
|           |               | DIM. L | PART NUMBER |

|  |   |                        |                   |                          |                                |
|--|---|------------------------|-------------------|--------------------------|--------------------------------|
| FUNCTIONAL SYMBOLS<br>$\nabla_A = 0$<br>$\nabla_C = 0$<br>$\nabla_P = 0$<br>DIVISIONAL SYMBOLS | THIS DRAWING CONTAINS INFORMATION THAT IS PROPRIETARY TO MOLEX ELECTRONIC TECHNOLOGIES, LLC AND SHOULD NOT BE USED WITHOUT WRITTEN PERMISSION |                        | CURRENT REV DESC: |                          |                                |
|  | DIMENSION UNITS   | SCALE                  | EC NO: 690306     |                          |                                |
|  | mm  | 5:1                    | DRWN: ETSENG      | 2021/12/27               |                                |
|  | GENERAL TOLERANCES (UNLESS SPECIFIED)   |                        | CHK'D: ETSENG     | 2021/12/30               |                                |
| ANGULAR TOL ± °  |   | APPR: VPENG01          | 2021/12/30        | PRODUCT CUSTOMER DRAWING |                                |
| 4 PLACES ±   |   | INITIAL REVISION:      |                   | DOCUMENT NUMBER          | DOC TYPE   DOC PART   REVISION |
| 3 PLACES ± 0.15  |   | DRWN: SHOU             |                   | 2119661101               | PSD   000   D                  |
| 2 PLACES ± 0.25  |   | APPR: ETSENG           |                   | MATERIAL NUMBER          | CUSTOMER                       |
| 1 PLACE ± 0.35   |   | THIRD ANGLE PROJECTION |                   | SEE TABLE                |                                |
| 0 PLACES ±   |   | DRAWING                |                   | SHEET NUMBER             |                                |
| DRAFT WHERE APPLICABLE MUST REMAIN WITHIN DIMENSIONS   |   | C-SIZE                 |                   | 211966                   | 1 OF 2                         |



|   |   |   |   |                                    |                                      |
|---|---|---|---|------------------------------------|--------------------------------------|
| <b>FUNCTIONAL SYMBOLS</b><br>$\nabla_A = 0$<br>$\nabla_C = 0$<br>$\nabla_P = 0$ | THIS DRAWING CONTAINS INFORMATION THAT IS PROPRIETARY TO MOLEX ELECTRONIC TECHNOLOGIES, LLC AND SHOULD NOT BE USED WITHOUT WRITTEN PERMISSION |   | <b>CURRENT REV DESC:</b>  |                                    |                                      |
|   | <b>DIMENSION UNITS</b><br>mm  | <b>SCALE</b><br>10:1                    | EC NO: 690306<br>DRWN: ETSENG<br>CHK'D: ETSENG<br>APPR: VPENG01 |                                    |                                      |
| <b>DIVISIONAL SYMBOLS</b>   | <b>GENERAL TOLERANCES (UNLESS SPECIFIED)</b>  |   | <b>INITIAL REVISION:</b>  |                                    | <b>DOCUMENT NUMBER</b><br>2119661101 |
|   | ANGULAR TOL ± °   |   | DRWN: SHOU<br>APPR: ETSENG                                      |                                    | DOC TYPE<br>PSD                      |
|   | 4 PLACES ±  | 3 PLACES ± 0.15                         | 2019/11/15<br>2020/02/05  |                                    | DOC PART<br>000                      |
|   | 2 PLACES ± 0.25   | 1 PLACE ± 0.35                          | 2020/02/05  |                                    | REVISION<br>D                        |
| 0 PLACES ±  | DRAFT WHERE APPLICABLE MUST REMAIN WITHIN DIMENSIONS  | THIRD ANGLE PROJECTION                  | DRAWING<br>C-SIZE   | SERIES<br>211966                   | MATERIAL NUMBER<br>SEE TABLE         |
| <b>DOCUMENT STATUS</b> P1   |   | <b>RELEASE DATE</b> 2021/12/30 10:26:04 |   | CUSTOMER<br>SHEET NUMBER<br>2 OF 2 |                                      |