

4

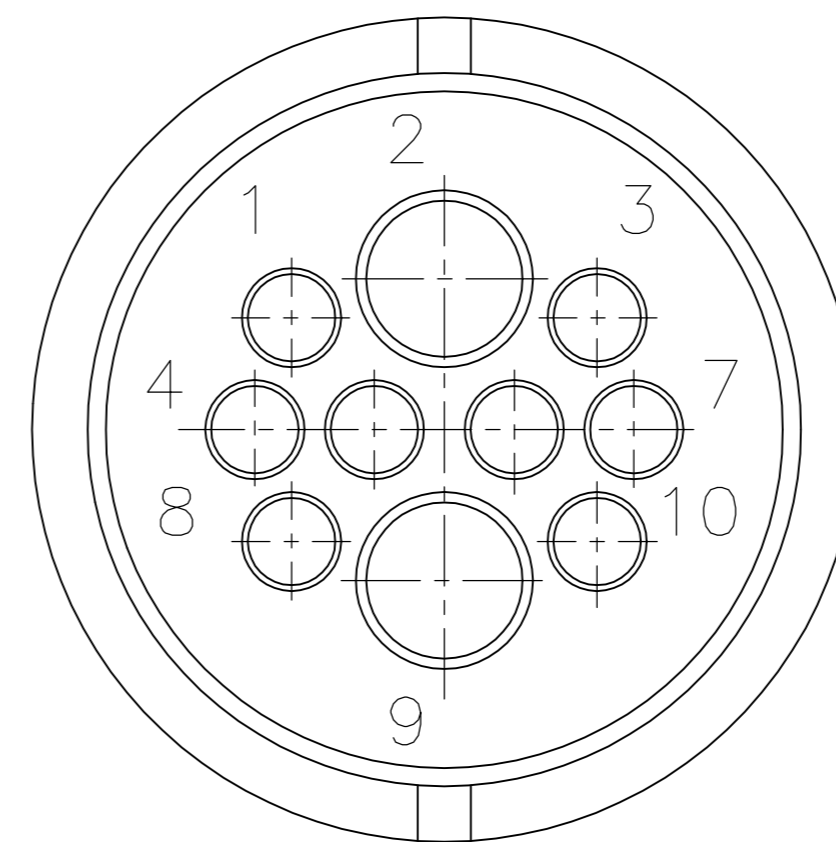
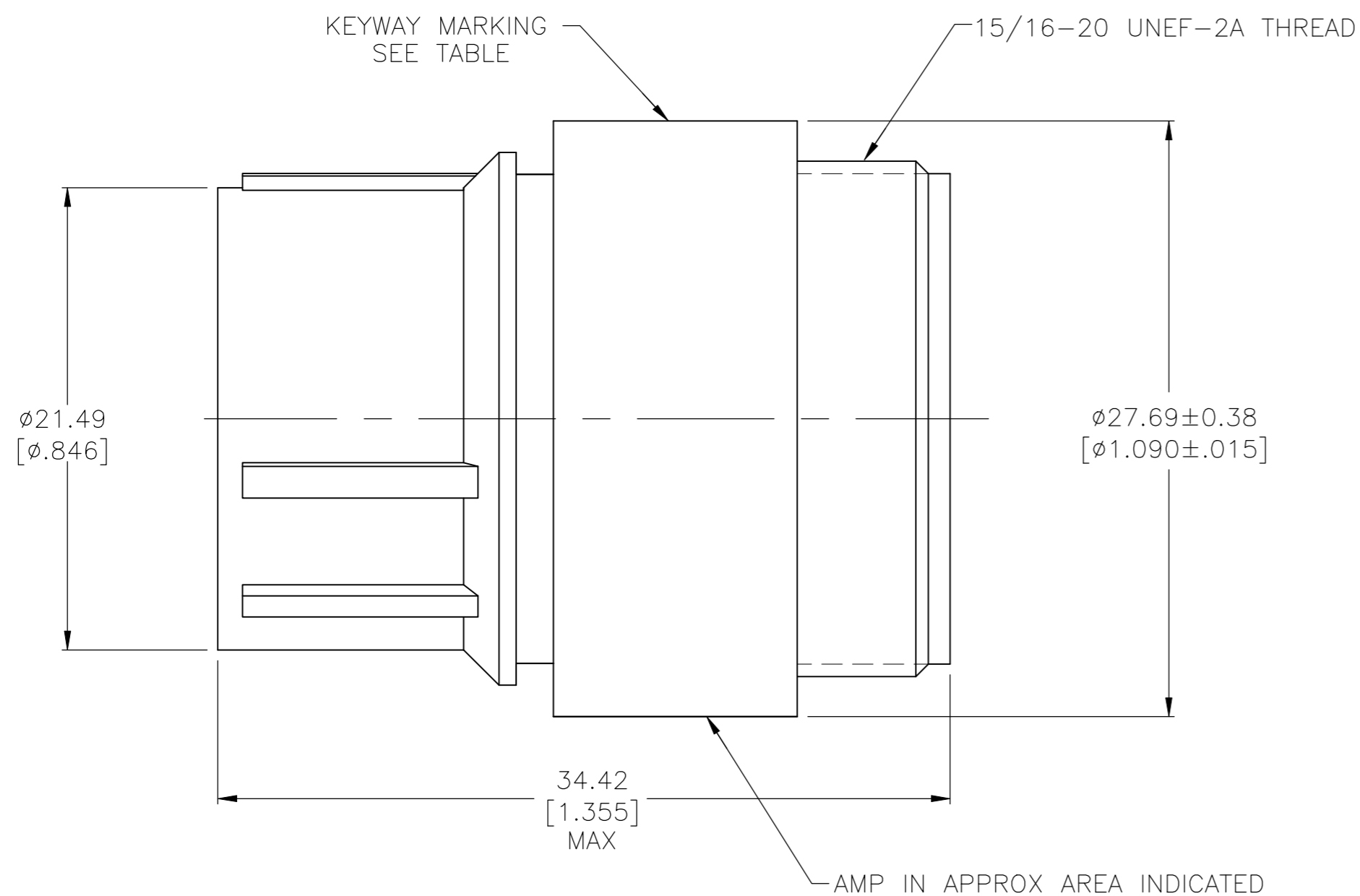
3

2

1

THIS DRAWING IS UNPUBLISHED. RELEASED FOR PUBLICATION
© COPYRIGHT - TE Connectivity Ltd. ALL RIGHTS RESERVED.

REVISIONS					
P	LTR	DESCRIPTION	DATE	DWN	APVD
A		OBSOLETE -2 EC 0020-271-93	08/03/93	-	AF
B		REVISED PER ECO-18-006725	07MAY2018	RS	MZ



- 1 THIS PLUG WILL ACCEPT 2 TYPE I, SIZE 12 PIN CONTACTS AND 8 MULTIMATE PIN CONTACTS
- 2 MAXIMUM WIRE INSULATION ACCEPTED BY THIS PLUG IS $\phi 2.67[\phi 1.105]$ FOR MULTIMATE PIN CONTACTS
- 3 WHITE STRIPE INDICATES MAJOR KEYWAY
- 4 WHITE DOT INDICATES MAJOR KEYWAY

OBSOLETE	4	213130-3
	3	213130-2
	-	213130-1
	KEYWAY MARKING	PART NO

THIS DRAWING IS A CONTROLLED DOCUMENT.		DWN S. WELDON 11/03/89	TE Connectivity Ltd.	
DIMENSIONS: mm [INCHES]		CHK R. STONE 11-8-89		
TOLERANCES UNLESS OTHERWISE SPECIFIED:		APVD M. KAPEZYNSKI 11-8-89	NAME PLUG, CPC, ARRANGEMENT 17-10M, REVERSE SEX, SERIES 4, CLASS A	
0 PLC ± - 1 PLC ± - 2 PLC ± 0.13 [.005] 3 PLC ± - 4 PLC ± - ANGLES ± -		PRODUCT SPEC -	SIZE A2	
MATERIAL UL 94V-0 RATED, NYLON BLACK		APPLICATION SPEC -	CAGE CODE 00779	DRAWING NO 213130
FINISH -		WEIGHT -	SCALE 4:1	SHEET 1 of 1
CUSTOMER DRAWING			RESTRICTED TO -	REV B

213130