

ITEM	PART#	DESCRIPTION	QTY	UOM
A	2053410205	PICO-LOCK 2.0 W/B REC HSG 5P	1	PC
B	2053425028	PICO-LOCK 2.0 W/B REC TERM PL AWG#20-22	5	PC
C	--	PAPER PRINTED PAPER WHITE	1	PC

FROM	TO	DESCRIPTION	COLOR
A1	--	1X20AWG DISC SR-PVC BK UL10002	BLACK
A2	--	1X20AWG DISC SR-PVC BK UL10002	BLACK
A3	--	1X20AWG DISC SR-PVC BK UL10002	BLACK
A4	--	1X20AWG DISC SR-PVC BK UL10002	BLACK
A5	--	1X20AWG DISC SR-PVC BK UL10002	BLACK

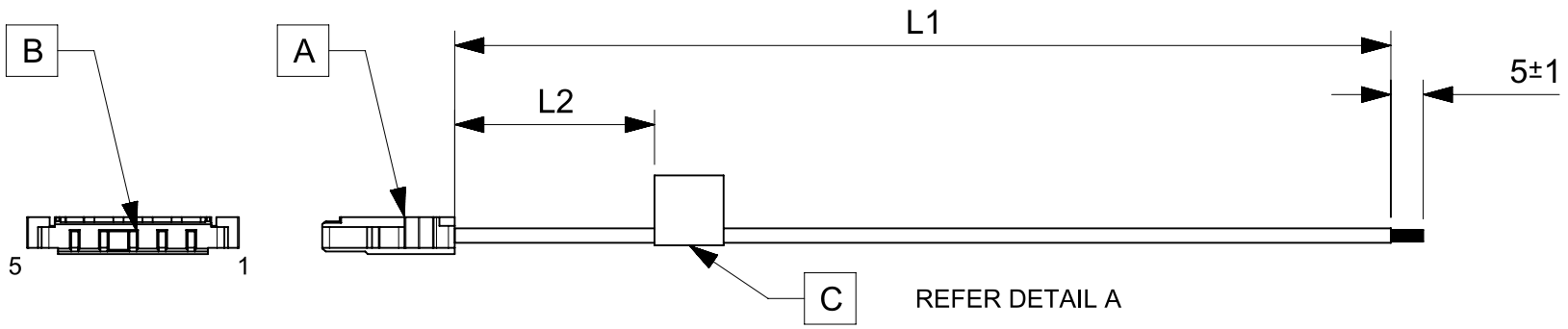


TABLE			
PART NUMBER	L1	L2 (REF)	TITLE
2196572050	50±3	15	Pico-Lock 2.0 R-S 5ckt 50mm disc Au
2196572051	100±3	15	Pico-Lock 2.0 R-S 5ckt 100mm disc Au
2196572052	150±4	15	Pico-Lock 2.0 R-S 5ckt 150mm disc Au
2196572053	300±4	15	Pico-Lock 2.0 R-S 5ckt 300mm disc Au
2196572054	600±6	15	Pico-Lock 2.0 R-S 5ckt 600mm disc Au

NOTES

1. Connector view shown is from mating side.
2. Label text must be 2mm max. in height with Arial font.
3. Label must be wrapped in Flag type on a single cable.
4. Free ends must be stripped, twisted & tinned. The length of tinning is 5±1mm. Tinning Dia must be 1.25mm Max.

MOLEX P/N
MOLEX
BATCH WK/YR
DETAIL A

REVISION			
DATE	REV	DESCRIPTION	CHANGER
2021/12/27	A	INITIAL RELEASE	SAIKIG

FUNCTIONAL SYMBOLS $\nabla_A = 0$ $\nabla_E = 0$ $\nabla_P = 0$ DIVISIONAL SYMBOLS	DIMENSION UNITS: mm SCALE: NTS		CURRENT REV DESC:		
	GENERAL TOLERANCES (UNLESS SPECIFIED)		EC NO: 690897		
	ANGULAR TOL ± °		DRWN: SAIKIG 2021/12/27		
	4 PLACES ±		CHK'D: MNARAYAN01 2022/01/13		
3 PLACES ±		APPR: MNARAYAN01 2022/01/13		PRODUCT CUSTOMER DRAWING	
2 PLACES ±		INITIAL REVISION:		DOCUMENT NUMBER	
1 PLACE ±		DRWN: SAIKIG 2021/12/27		2196572050	
0 PLACES ±		APPR: MNARAYAN01 2022/01/13		PSD 000 A	
DRAFT WHERE APPLICABLE MUST REMAIN WITHIN DIMENSIONS		THIRD ANGLE PROJECTION	DRAWING	SERIES	MATERIAL NUMBER
			A4-SIZE	219657	CUSTOMER
					GENERAL MARKET
					SHEET NUMBER
					1 OF 1