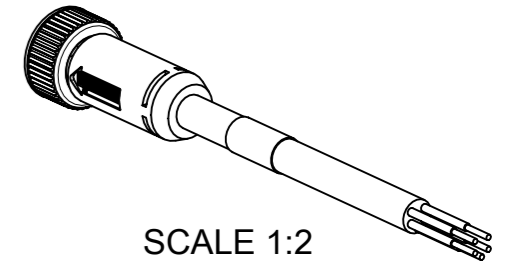
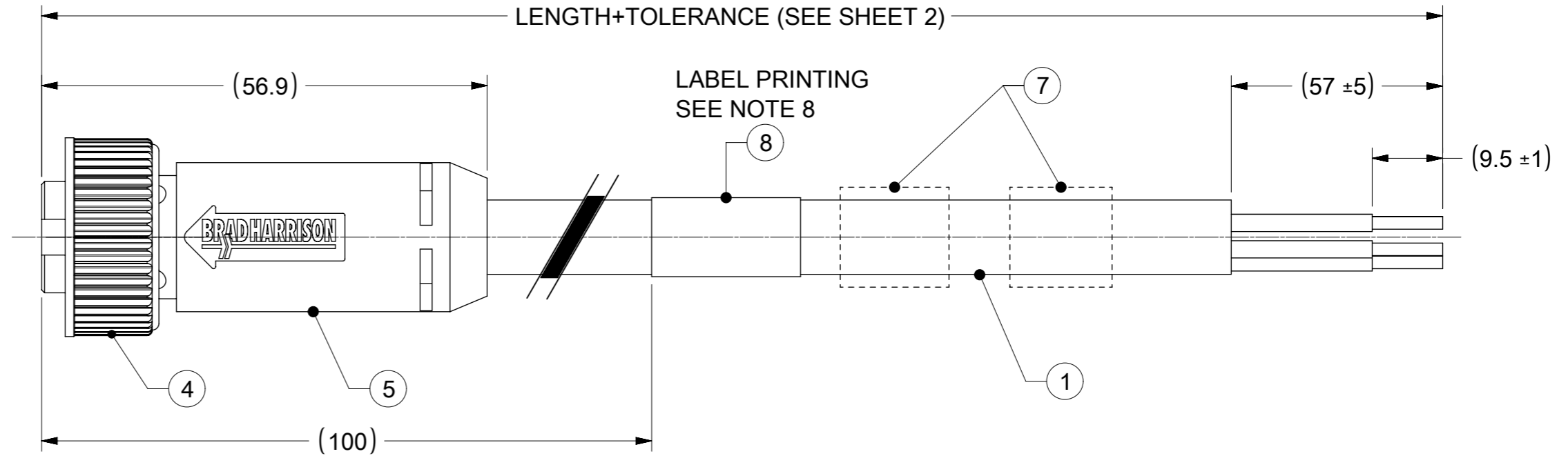
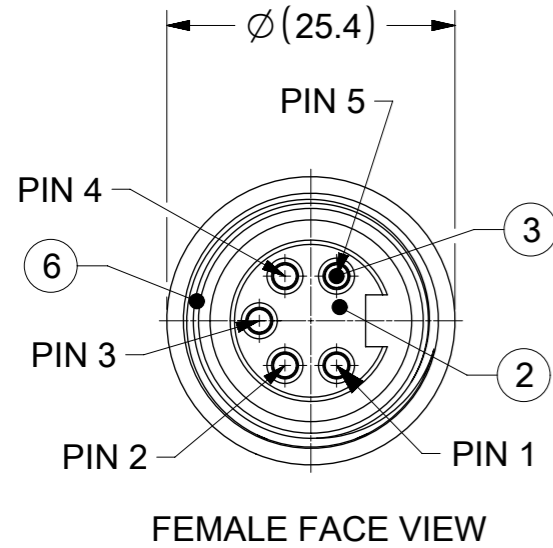


CABLE SPECIFICATION:

JACKET:
 COLOR: GRAY
 MATERIAL: TPU BASED COMPOUND
 DIAMETER: 8.50±0.30mm
 CONDUCTOR:
 INSULATION DIAMETER: 2.40mm
 INSULATION MATERIAL: TPE



SCALE 1:2



NOTES:

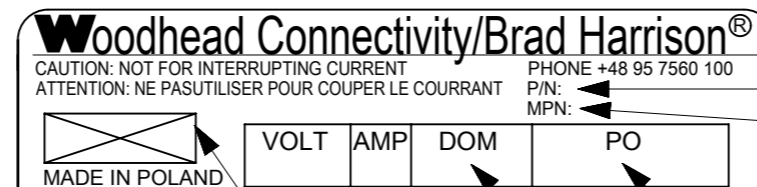
- MATERIAL: AS NOTED
- FINISH: AS NOTED
- ELECTRICAL:
 VOLTAGE: 600 V
 CURRENT: 10 A
- TEMP RATING:
 STATIC: -40 °C TO 90 °C
 DYNAMIC: -25 °C TO 80 °C
- PROTECTION: IP67 (WHEN MATED)
- UL CERTIFICATION: UL LISTED, FILE NO. E152210
- PART LIST AND MATRIX - SEE SHEET 2
- LABEL PRINTING ACC. STANDARD LABEL INSTRUCTION

WIRING DIAGRAM

MC 5P
 FEMALE



LABEL PRINTING



ENGINEERING NO.
 MOLEX PN

PO NO.
 PRODUCT. DATE

CERTIFICATION SYMBOLS

BILL OF MATERIAL

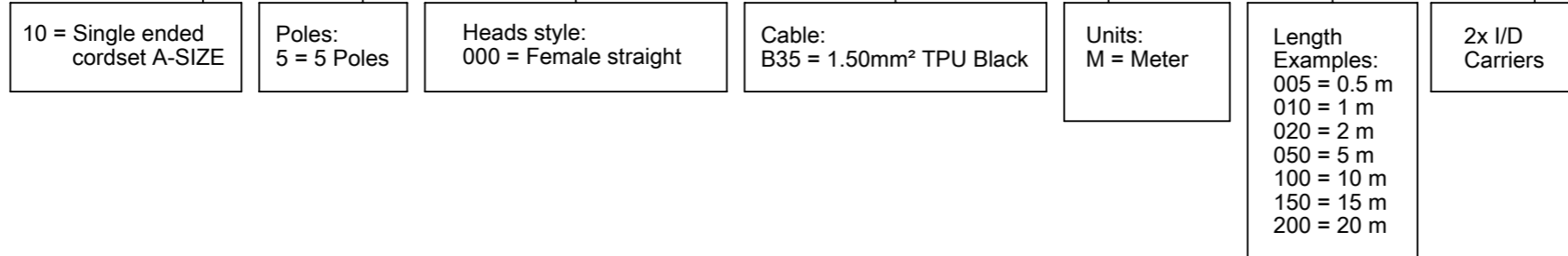
ITEM	DESCRIPTION	MATERIAL	FINISH/COLOR
1	#16-5 CABLE, WELD AND SLAG RESISTANT	TPU	GRAY
2	FEMALE INSERT	TPE	BLACK
3	SOCKET CONTACT	Cu ALLOY	GOLD OVER NICKEL
4	COUPLING NUT	ZINC DIE-CAST	BLACK E-COAT
5	OVERMOLD	TPE	BLACK
6	FRICTION RING	NYLON	WHITE
7	I/D CARRIER	PVC	TRASPARENT
8	WRAP LABEL	VINYL	YELLOW

DOCUMENT STATUS	P1	RELEASE DATE	2023/04/27	12:11:46
-----------------	----	--------------	------------	----------

FUNCTIONAL SYMBOLS ∇A = 0 ∇E = 0 ∇F = 0	THIS DRAWING CONTAINS INFORMATION THAT IS PROPRIETARY TO MOLEX ELECTRONIC TECHNOLOGIES, LLC AND SHOULD NOT BE USED WITHOUT WRITTEN PERMISSION	SCALE 1:1		CURRENT REV DESC: NOTES UPDATED, LABEL PRINTING ADDED						
	DIMENSION UNITS mm		GENERAL TOLERANCES (UNLESS SPECIFIED)							
	ANGULAR TOL ± 1.0 °		EC NO: 747270							
	4 PLACES ±		DRWN: RSCHIEBER 2023/04/18							
DIVISIONAL SYMBOLS	3 PLACES ±		CHK'D: RSILLER 2023/04/27							
	2 PLACES ± 0.05		APPR: RSILLER 2023/04/27							
	1 PLACE ± 0.3		INITIAL REVISION:							
	0 PLACES ± 0.5		DRWN: AKABADI 2022/07/26							
DRAFT WHERE APPLICABLE MUST REMAIN WITHIN DIMENSIONS		THIRD ANGLE PROJECTION	DRAWING	SERIES	MATERIAL NUMBER	CUSTOMER	DOCUMENT NUMBER	DOC TYPE	DOC PART	REVISION
		⊗	A3-SIZE	130006	1300068203	GENERAL MARKET	1300068203	PSD	000	A1
					SEE SHEET2					1 OF 2

PART NUMBER MATIX

1 0 5 0 0 0 B 3 5 M X X X H



PART LIST

MOLEX PN	ENGINEERING NO.	L + Tol. [MM]
1300068203	105000B35M010H	1000 +56
1300068204	105000B35M020H	2000 +89
1300068205	105000B35M050H	5000 +165
1300068206	105000B35M100H	10000 +317
1300068207	105000B35M200H	20000 + 610
1300068208	105000B35M300H	30000 +610
1300068209	105000B35M350H	35000 +700

FUNCTIONAL SYMBOLS	THIS DRAWING CONTAINS INFORMATION THAT IS PROPRIETARY TO MOLEX ELECTRONIC TECHNOLOGIES, LLC AND SHOULD NOT BE USED WITHOUT WRITTEN PERMISSION		
	DIMENSION UNITS	SCALE	CURRENT REV DESC: NOTES UPDATED, LABEL PRINTING ADDED
	mm	1:1	
	GENERAL TOLERANCES (UNLESS SPECIFIED)		
	ANGULAR TOL ± 1.0 °		EC NO: 747270 DRWN: RSCHIEBER 2023/04/18 CHK'D: RSILLER 2023/04/27 APPR: RSILLER 2023/04/27
DIVISIONAL SYMBOLS	4 PLACES ±		
	3 PLACES ±		
	2 PLACES ± 0.05		
	1 PLACE ± 0.3		
	0 PLACES ± 0.5		INITIAL REVISION: DRWN: AKABADI 2022/07/26 APPR: RSILLER 2023/01/30
DRAFT WHERE APPLICABLE MUST REMAIN WITHIN DIMENSIONS			
		DRAWING	SERIES
		A3-SIZE	130006
DOCUMENT NUMBER		DOC TYPE	DOC PART
1300068203		PSD	000
REVISION		SHEET NUMBER	
A1		2 OF 2	