

奇数キャビティ：キャビティ番号及び金型番号
 偶数キャビティ：トレードマーク
 ODD CAVITY:CAVITY AND MOLD NO.
 EVEN CAVITY:TRADE MARK

奇数キャビティ：トレードマーク
 偶数キャビティ：キャビティ番号及び金型番号
 ODD CAVITY:TRADE MARK
 EVEN CAVITY:CAVITY AND MOLD NO.

① TABLE 1

番号 NO.	部品 PART	材質 MATERIAL
①	ハウジング HOUSING	ポリアミド(PA),ガラス充填,UL94 V-0,色 : SHEET 5参照 POLYAMIDE (PA),GLASS FILLED,UL94 V-0,COLOR:SEE SHEET 5
②	ターミナル TERMINAL	黄銅 BRASS
		接点部：金めっき めっき厚は注記5参照 CONTACT : GOLD PLATING PLATING THICKNESS : SEE NOTE 5. ニッケルめっき(下地全面)：1.0 MICROMETER MINIMUM NICKEL (UNDER-PLATED OVERALL)
③	ネイル NAIL	黄銅 BRASS
		錫めっき：1.0 MICROMETER MINIMUM TIN PLATED(MATTE TIN) ニッケルめっき(下地全面)：1.0 MICROMETER MINIMUM NICKEL (UNDER-PLATED OVERALL)

注記 NOTES

- ① 材料及び仕上げ (めっき仕様) : TABLE 1, TABLE 2
MATERIAL AND FINISHES(PLATING SPECIFICATION)
: SEE TABLE 1, TABLE 2
- ② 嵌合相手 : 505565シリーズ
MATE WITH: 505565SERIES
- ③ 偶数極に適用
APPLY FOR EVEN CIRCUIT.
- ④ 製品仕様書 : 5055650002 PS 000
PRODUCT SPECIFICATION:5055650002 PS 000
- ⑤ 発注番号 : SHEET5
ORDER NO. : PLEASE REFER TO SHEET 5.

505567 ** **

極数 CIRCUIT SIZE	金めっき厚 GOLD PLATING THICKNESS [MICROMETER MINIMUM]
NO.	0.1

NO.	ハウジングカラー HOUSING COLOR
0	ナチュラル(ベージュ) NATURAL(BEIGE)
1	黒 BLACK
2	赤 RED
3	黄 YELLOW
4	青 BLUE
6	緑 GREEN
8	橙 ORANGE

6.ターミナルとネイルの平坦度は0.1mm以下
 TERMINAL AND NAIL COPLANARITY : 0.1mm MAXIMUM.

49.4	45.4	20.2	44±0.3	10.7	22.2	18.75	23.25	16	
					20.95	17.5	22	15	
					19.7	16.25	20.75	14	
37.4	33.4	14.2	32±0.3	9.2	18.45	15	19.5	13	
					17.2	13.75	18.25	12	
					15.95	12.5	17	11	
					14.7	11.25	15.75	10	
					13.45	10	14.5	9	
29.4	25.4	11.5	24 ^{+0.3} _{-0.1}	6.7	12.2	8.75	13.25	8	
					10.95	7.5	12	7	
					6.6	9.7	6.25	10.75	6
					5.35	8.45	5	9.5	5
					4.1	7.2	3.75	8.25	4
					2.85	5.95	2.5	7	3
21.4	17.4	7.5	16 ^{+0.3} _{-0.1}	1.9	4.7	1.25	5.75	2	
H	G	F	E	D	C	B	A	極数 CIRCUIT SIZE	

THIS DRAWING CONTAINS INFORMATION THAT IS PROPRIETARY TO MOLEX ELECTRONIC TECHNOLOGIES, LLC AND SHOULD NOT BE USED WITHOUT WRITTEN PERMISSION

DIMENSION UNITS: mm SCALE: NTS

CURRENT REV DESC: RELEASED

molex

MICRO-LOCK PLUS 1.25 W/B
SINGLE ROW RIGHT ANGLE SMT PLUG ASSEMBLY
GOLD PLATING

PRODUCT CUSTOMER DRAWING

DOCUMENT NUMBER: 5055670010-SD DOC TYPE: PSD DOC PART: 000 REVISION: B

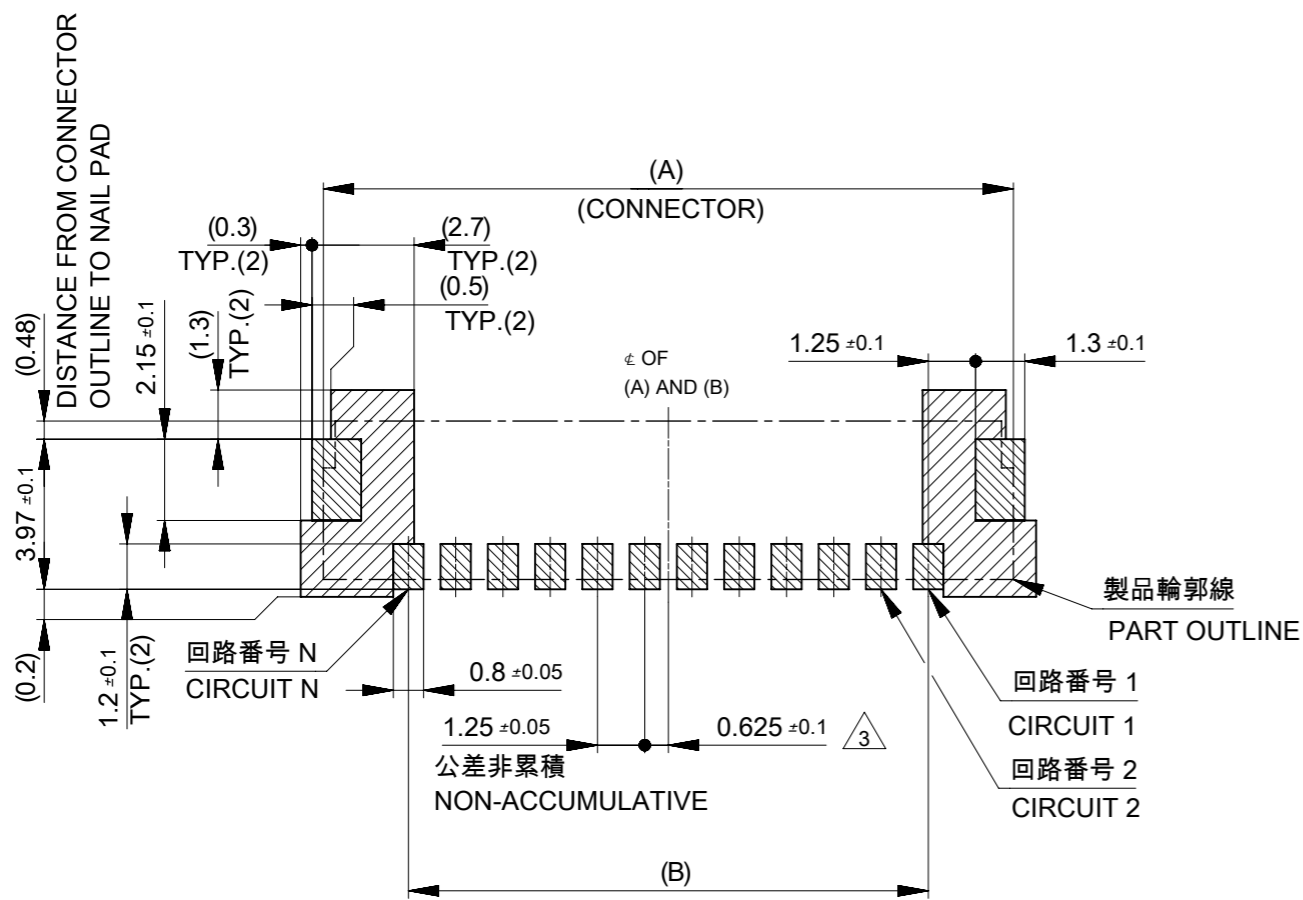
EC NO: 620885 DRWN: TAKAIKE 2018/08/01
 CHK'D: SAKIYAMA 2019/07/19
 APPR: KOMURAKAMI 2019/07/31

INITIAL REVISION:
 DRWN: RWATANABE01 2017/11/28
 APPR: TKANEKO 2017/12/06

DRAFT WHERE APPLICABLE MUST REMAIN WITHIN DIMENSIONS

THIRD ANGLE PROJECTION


DRAWING: A3-SIZE SERIES: 505567 MATERIAL NUMBER: SEE SHEET5 CUSTOMER: GENERAL SHEET NUMBER: 1 OF 5

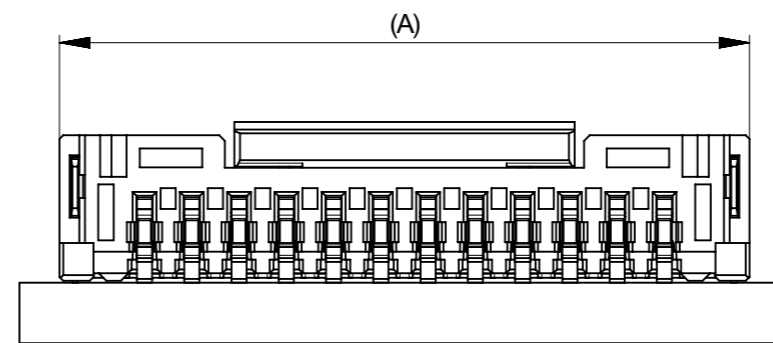


 推奨基板レイアウト
RECOMMENDED PWB PATTERN LAYOUT

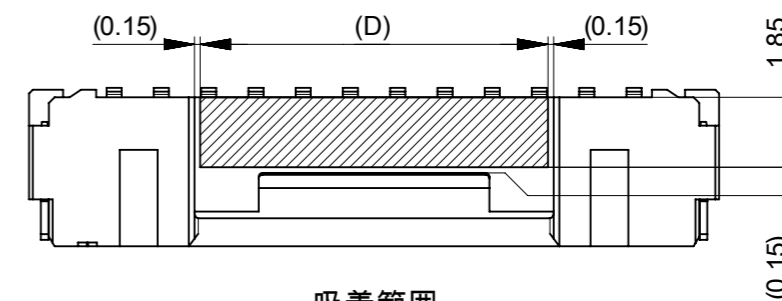
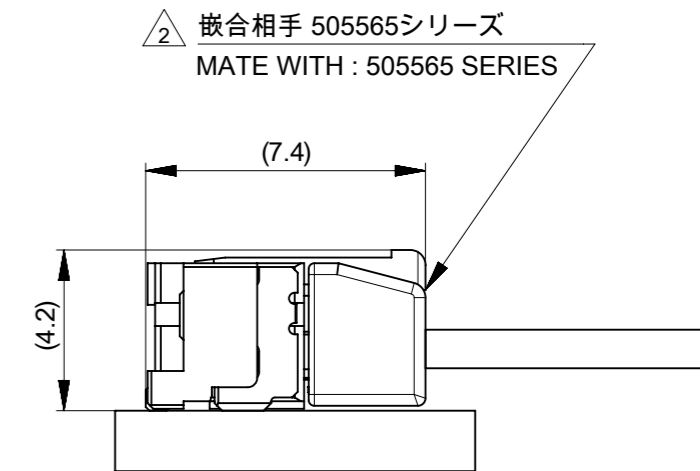
(参考: 基板厚1.6mm, メタルマスク厚さ 0.15mm, マスク開口率 100%)

(REFERENCE: PWB THICKNESS 1.6mm, STENCIL THICKNESS 0.15mm, APERTURE RATIO 100%)


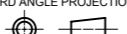
 パターン非推奨エリア
パターンを引き回す際は、製品機能に影響がないことをご確認ください。
PATTERN IS NOT RECOMMENDED ON THE HATCHING AREA
PLEASE CHECK NOT TO HAVE PROBLEM FOR PRODUCT FUNCTION
WHEN SETTING PATTERN ON THE HATCHING AREA.

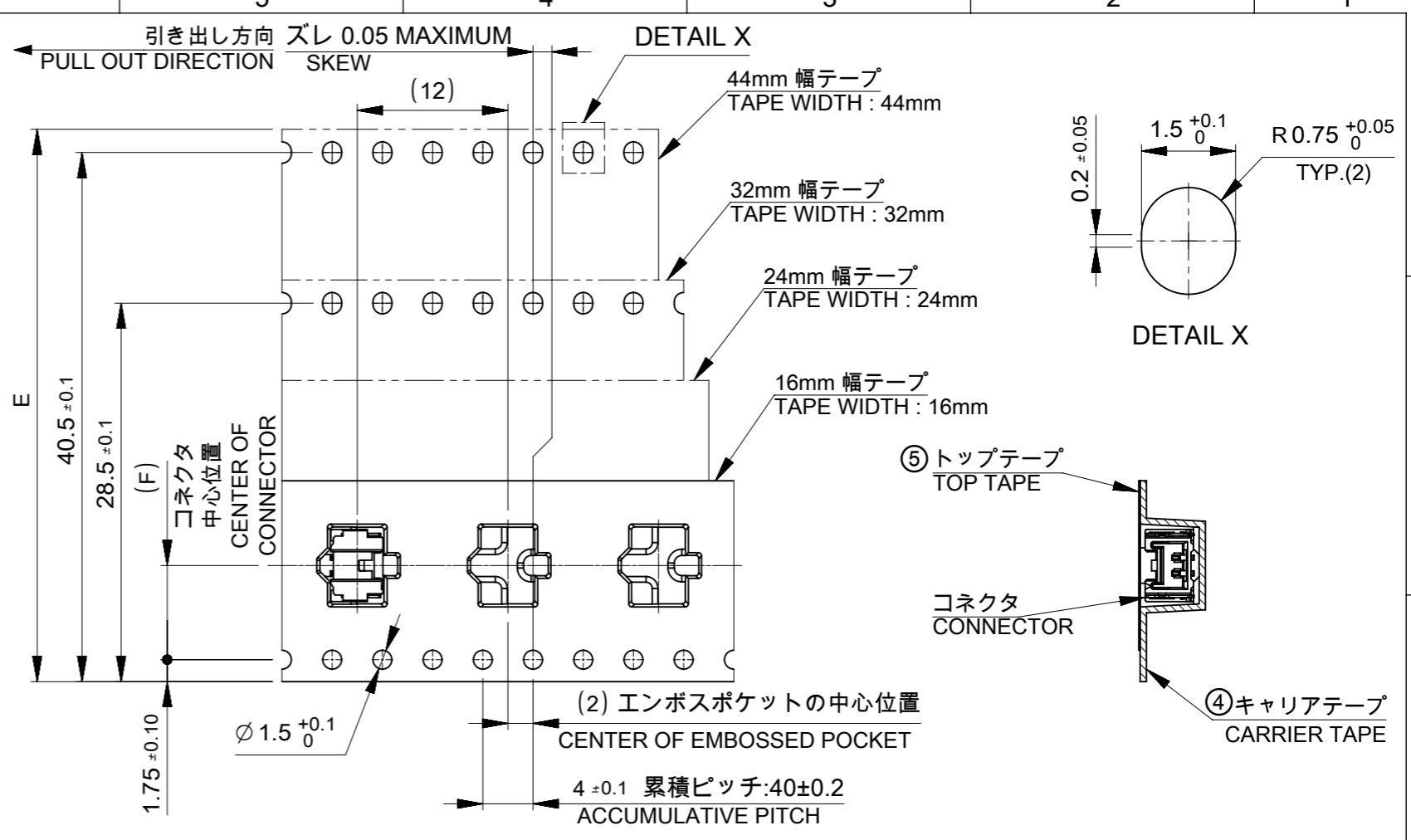
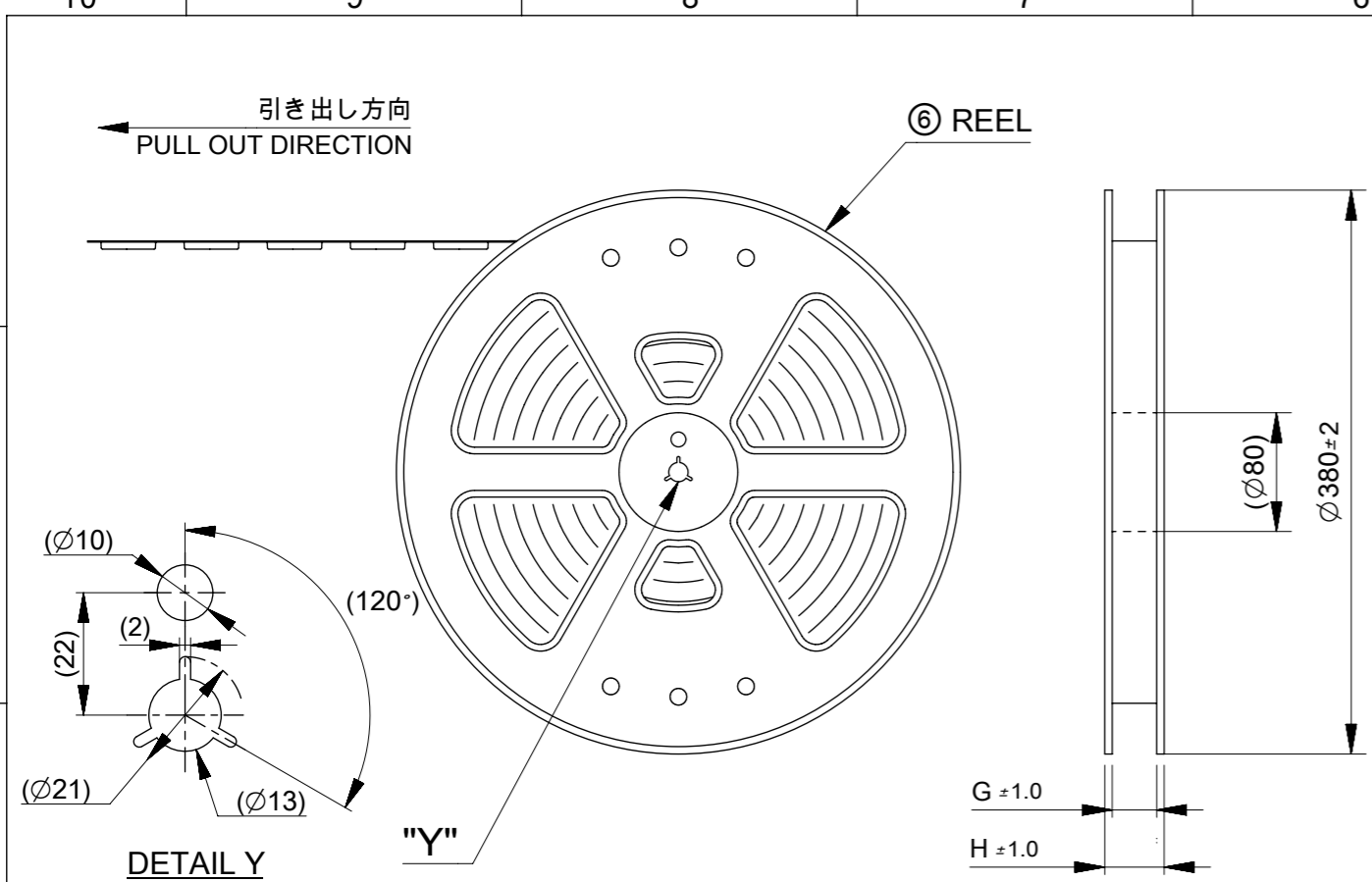


嵌合状態図
MATED CONNECTORS



吸着範囲
VACUUM AREA

THIS DRAWING CONTAINS INFORMATION THAT IS PROPRIETARY TO MOLEX ELECTRONIC TECHNOLOGIES, LLC AND SHOULD NOT BE USED WITHOUT WRITTEN PERMISSION															
DIMENSION UNITS		SCALE		CURRENT REV DESC: RELEASED											
mm		NTS		 MICRO-LOCK PLUS 1.25 W/B SINGLE ROW RIGHT ANGLE SMT PLUG ASSEMBLY GOLD PLATING PRODUCT CUSTOMER DRAWING											
GENERAL TOLERANCES (UNLESS SPECIFIED)										EC NO: 620885		DOCUMENT NUMBER		DOC TYPE	
ANGULAR TOL ± 3.0°										DRWN: TAKAIKE 2018/08/01		5055670010-SD		PSD	
4 PLACES ± 0.2										CHK'D: SAKIYAMA 2019/07/19		000		B	
3 PLACES ± 0.2										APPR: KOMURAKAMI 2019/07/31		REVISION			
2 PLACES ± 0.2										INITIAL REVISION:					
1 PLACE ± 0.2				DRWN: RWATANABE01 2017/11/28											
0 PLACES ± 0.2				APPR: TKANEKO 2017/12/06											
DRAFT WHERE APPLICABLE MUST REMAIN WITHIN DIMENSIONS		THIRD ANGLE PROJECTION		DRAWING		SERIES		MATERIAL NUMBER							
				A3-SIZE		505567		SEE SHEET5							
						CUSTOMER		GENERAL							
								SHEET NUMBER							
								2 OF 5							



注記 NOTES

- 7. 梱包数量 : 1200個 / リール
NUMBER OF CONNECTORS : 1200 PCS/REEL.
- 8. リードテープ長さ LEAD TAPE LENGTH.
100 MINIMUM
トップテープ接着部(空エンボス)
TOP TAPE BONDED PART.(EMPTY)
- 9. トップテープの剥離強度はIEC60286-3に準拠
TOP TAPE PEELING FORCE IS DEFINED BY IEC60286-3.
- 10. 梱包仕様書 : 5055679200 PS 200
PACKING SPECIFICATION : 5055679200 PS 200

TABLE 2

番号 NO.	部品 PART	材質 MATERIAL
④	キャリアテープ CARRIER TAPE	ポリスチレン(PS) POLYSTYRENE(PS)
⑤	トップテープ TOP TAPE	ポリエチレン(PE), その他 POLYETHYLENE(PE), ETC
⑥	リール REEL	ポリスチレン(PS) <リサイクル材を含む> POLYSTYRENE(PS) <RECYCLE MATERIAL CONTAINED >

THIS DRAWING CONTAINS INFORMATION THAT IS PROPRIETARY TO MOLEX ELECTRONIC TECHNOLOGIES, LLC AND SHOULD NOT BE USED WITHOUT WRITTEN PERMISSION

DIMENSION UNITS mm	SCALE NTS	CURRENT REV DESC: RELEASED	
GENERAL TOLERANCES (UNLESS SPECIFIED)		 MICRO-LOCK PLUS 1.25 W/B SINGLE ROW RIGHT ANGLE SMT PLUG ASSEMBLY GOLD PLATING	
ANGULAR TOL	± 3.0 °		
4 PLACES	± 0.2		
3 PLACES	± 0.2		
2 PLACES	± 0.2		
1 PLACE	± 0.2	EC NO: 620885 DRWN: TAKAIKE 2018/08/01 CHK'D: SAKIYAMA 2019/07/19 APPR: KOMURAKAMI 2019/07/31	
0 PLACES	± 0.2	INITIAL REVISION: DRWN: RWATANABE01 2017/11/28 APPR: TKANEKO 2017/12/06	
DRAFT WHERE APPLICABLE MUST REMAIN WITHIN DIMENSIONS		THIRD ANGLE PROJECTION	DRAWING A3-SIZE
		SERIES 505567	MATERIAL NUMBER SEE SHEET5
		CUSTOMER GENERAL	SHEET NUMBER 4 OF 5

△ 505567**8* 製品番号一覧 PRODUCT NUMBER LIST

橙 ORANGE	緑 GREEN	青 BLUE	黄 YELLOW	赤 RED	黒 BLACK	ナチュラル (ベージュ) NATURAL (BEIGE)	HOUSING COLOR
5055671688	5055671686	5055671684	5055671683	5055671682	5055671681	5055671680	16
5055671588	5055671586	5055671584	5055671583	5055671582	5055671581	5055671580	15
5055671488	5055671486	5055671484	5055671483	5055671482	5055671481	5055671480	14
5055671388	5055671386	5055671384	5055671383	5055671382	5055671381	5055671380	13
5055671288	5055671286	5055671284	5055671283	5055671282	5055671281	5055671280	12
5055671188	5055671186	5055671184	5055671183	5055671182	5055671181	5055671180	11
5055671088	5055671086	5055671084	5055671083	5055671082	5055671081	5055671080	10
5055670988	5055670986	5055670984	5055670983	5055670982	5055670981	5055670980	9
5055670888	5055670886	5055670884	5055670883	5055670882	5055670881	5055670880	8
5055670788	5055670786	5055670784	5055670783	5055670782	5055670781	5055670780	7
5055670688	5055670686	5055670684	5055670683	5055670682	5055670681	5055670680	6
5055670588	5055670586	5055670584	5055670583	5055670582	5055670581	5055670580	5
5055670488	5055670486	5055670484	5055670483	5055670482	5055670481	5055670480	4
5055670388	5055670386	5055670384	5055670383	5055670382	5055670381	5055670380	3
5055670288	5055670286	5055670284	5055670283	5055670282	5055670281	5055670280	2
発注番号 : ORDER NO.							極数 CIRCUIT SIZE
梱包形態 : キャリアテープ梱包 PACKAGING : CARRIER TAPE AND REEL							

THIS DRAWING CONTAINS INFORMATION THAT IS PROPRIETARY TO MOLEX ELECTRONIC TECHNOLOGIES, LLC AND SHOULD NOT BE USED WITHOUT WRITTEN PERMISSION											
DIMENSION UNITS		SCALE		CURRENT REV DESC: RELEASED				molex		MICRO-LOCK PLUS 1.25 W/B SINGLE ROW RIGHT ANGLE SMT PLUG ASSEMBLY GOLD PLATING	
mm		NTS									
GENERAL TOLERANCES (UNLESS SPECIFIED)				EC NO: 620885				PRODUCT CUSTOMER DRAWING			
ANGULAR TOL ± 3.0 °				DRWN: TAKAIKE 2018/08/01							
4 PLACES ± 0.2				CHK'D: SAKIYAMA 2019/07/19				DOCUMENT NUMBER 5055670010-SD PSD 000 B			
3 PLACES ± 0.2				APPR: KOMURAKAMI 2019/07/31							
2 PLACES ± 0.2				INITIAL REVISION:				MATERIAL NUMBER SEE SHEET5			
1 PLACE ± 0.2				DRWN: RWATANABE01 2017/11/28							
0 PLACES ± 0.2				APPR: TKANEKO 2017/12/06				SHEET NUMBER 5 OF 5			
DRAFT WHERE APPLICABLE MUST REMAIN WITHIN DIMENSIONS		THIRD ANGLE PROJECTION		DRAWING		SERIES					
				A3-SIZE		505567		SEE SHEET5		GENERAL	

DOCUMENT STATUS	P1	RELEASE DATE	2019/07/31	10:52:44
-----------------	----	--------------	------------	----------