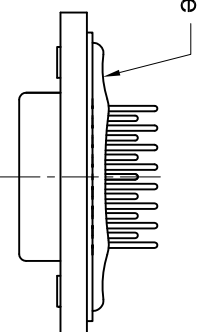
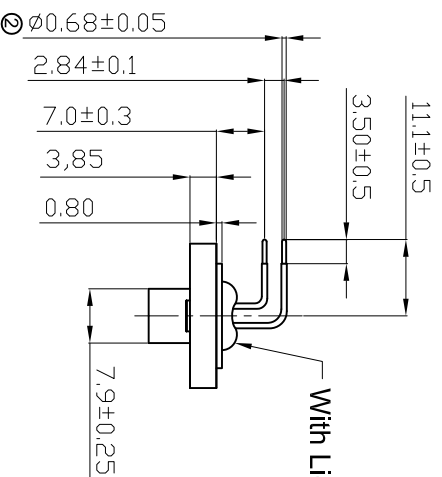
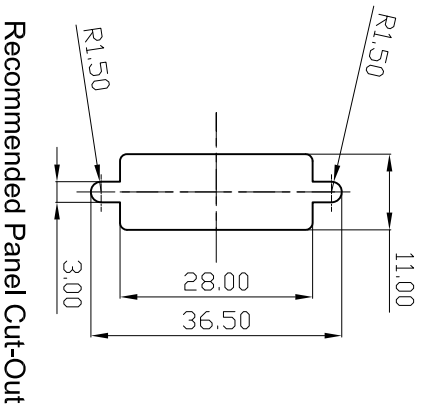


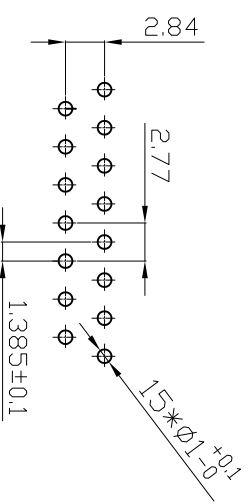
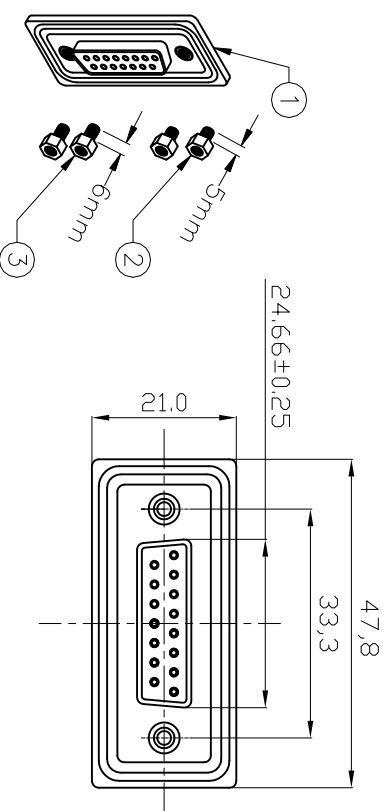
Panel Thickness  
Screw L=5.0 For Panel Thickness  
Under 1.2mm  
Screw L=6.0 For Panel Thickness  
Between 1.2-2.0mm



**NOTES:**

**MATERIAL**

1. Insulator Material: Black, NYLON+G/F
2. Contact Material : Copper Alloy
3. Plating : Gold Plating
4. Waterproof Rate: IP67
5. Do Mating Test After Glued



15 Pin Female Connector  
PCB Pin Layout  
Scale 2:1

**RoHS compliant**

Scale	1:1										
TOLERANCE											
X.X	±0.25										
X.XX	±0.10										
X.XXX	±0.05										
DIM	TOL	②	Cancel LOGO and change dimension	24.01.2018	Tom						
ANGLE	±1°	①	Drawn	24.12.2008	JACK						
X.X°	±X°										
Angle	TOL	Id.	Modification								



Customer-No.					
ASSMANN WSW-No.					
A-DF 15 AA-WP					
Drawing-No.					
ASS 3251 CO					
rev02					

1	2	3	4	5	6	7
H	G	F	E	D	C	B