

SPECIFICATIONS SHEET

PRODUCT TYPE : PIEZO BUZZER

PRODUCT SERIES : BRP4535 SERIES

DESCRIPTION : PZ BUZZER SINGLE 24VDC PLT ABS RoHS SP

- 1) 11mm PL 2) NEGATIVE ADD DIODE**
3) NUT FULL THREAD 4) SCREWS M3.4
5) LABEL MARKING " BRP4535S-24-C &
DATE CODE " 6) ADD LABEL ON SIDE
LABEL MARKING " INTERVOX BRP4535S-24-C "
7) ADD " + " SILVER LABEL ON TOP
8) ADD " RoHS conform " LABEL

COLOR : BLACK

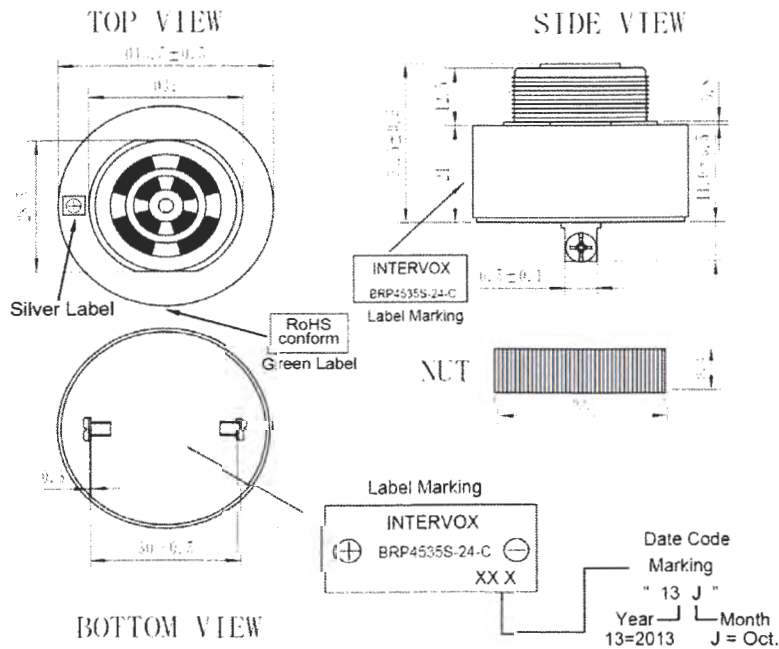
ELECTRICAL SPECIFICATIONS

MODEL NO.		BRP4535S-24-C
OPERATING VOLTAGE RANGE	(VDC)	3.0 ~ 28.0
RATED VOLTAGE	(VDC)	24.0
* MAX. RATED CURRENT	(mA)	40.0
* MIN. SOUND OUTPUT	(dBA/ 30.0 cm)	95.0
* FREQUENCY	(Hz)	2900 ± 500
TONE NATURE		SINGLE
OPERATING TEMPERATURE	(° C)	- 20.0 ~ + 60.0
STORAGE TEMPERATURE	(° C)	- 30.0 ~ + 70.0
TERMINAL		PLATE
HOUSING MATERIAL		ABS
WEIGHT	(g)	35.0

* Value applying at rated voltage

DIMENSIONS

UNIT : mm Tolerance : ± 0.5 mm



Approved By : ST
 Date : 4-Oct.-2013

Prepared By : JL
 Date : 4-Oct.-2013

Modify :	Date :	By :
Modify Draw and Description	02-Oct-13	Joey
Add " RoHS conform " Label	04-Oct-13	Joey