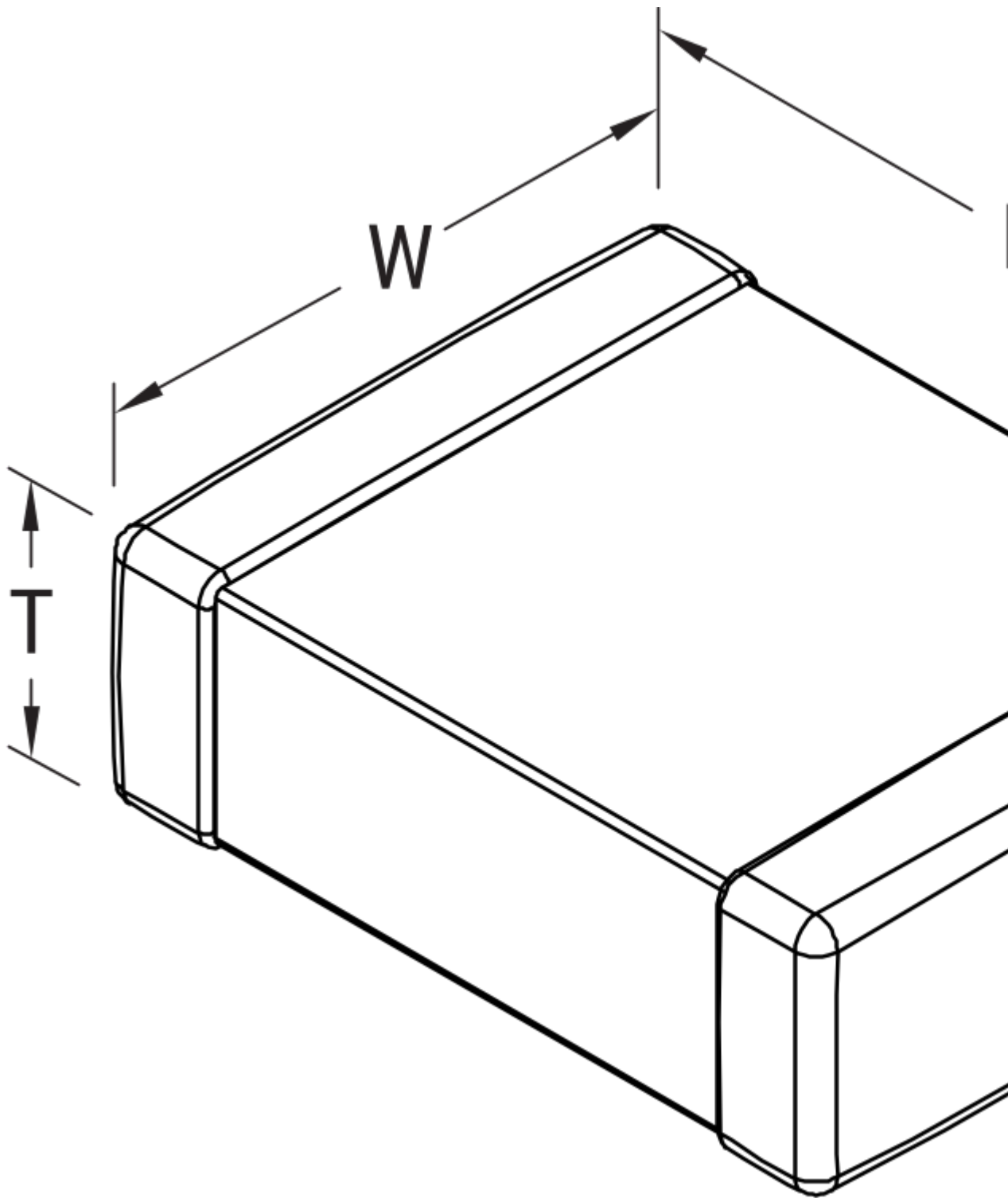


C1210A104K5XAC

GR900 SMD Space, Ceramic, 0.1 uF, 10%, 50 VDC, BX, N/A, 1210



Click [here](#) for the 3D model.

Dimensions

Chip Size 1210

L	3.07mm +/-0.38mm (0.121 in +/-0.015 in)
W	2.56mm +/-0.38mm (0.101 in +/-0.015 in)
T	1.6mm MAX (0.063 in MAX)
B	0.51mm +/-0.25mm (0.02 in +/-0.01 in)

Packaging Specifications

Packaging Bulk, Bag

General Information

Series	GR900 SMD Space
Style	SMD Chip
RoHS	Yes
Termination	Tin
Failure Rate	N/A
Testing and Reliability	GR900 CSAM A
AEC-Q200	No
Shelf Life	78 Weeks
MSL	1

Specifications

Capacitance	0.1 uF
Capacitance Tolerance	10%
Voltage DC	50 VDC
Temperature Range	-55/+125°C
Temperature Coefficient	BX

Statements of suitability for certain applications are based on our knowledge of typical operating conditions for such applications, but are not intended to constitute - and we specifically disclaim - any warranty concerning suitability for a specific customer application or use. This Information is intended for use only by customers who have the requisite experience and capability to determine the correct products for their application. Any technical advice inferred from this Information or otherwise provided by us with reference to the use of our products is given gratis, and we assume no obligation or liability for the advice given or results obtained.

Generated 5/18/2023 - e37617bb-2a24-425d-8d43-0813a6d57799

© 2006 - 2023 KEMET

Generated 5/18/2023 - e37617bb-2a24-425d-8d43-0813a6d57799

© 2006 - 2023 KEMET