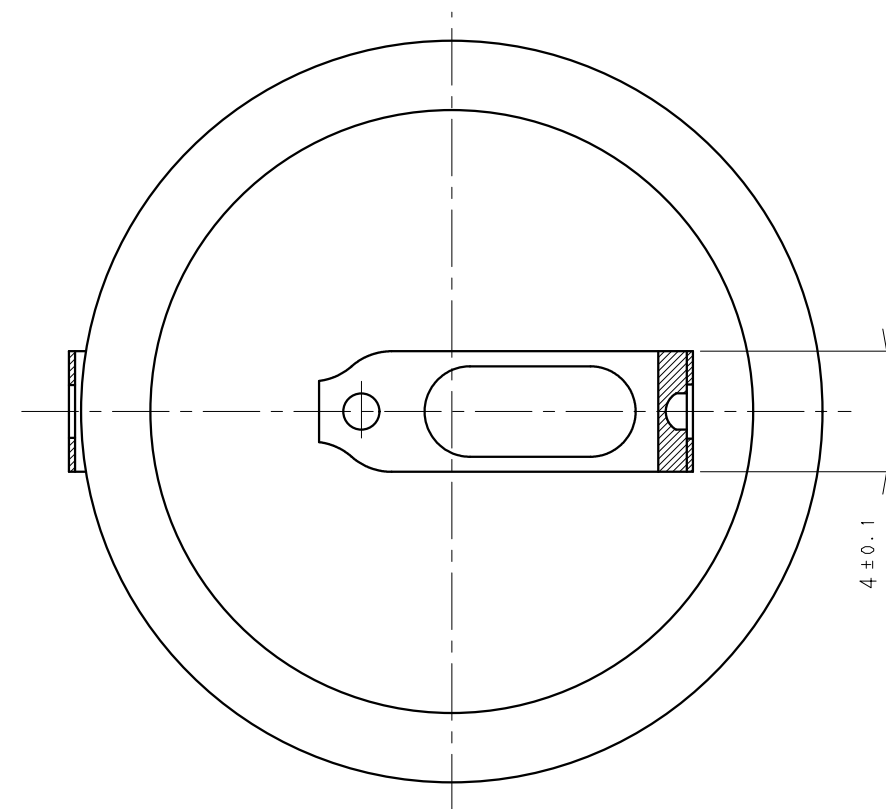
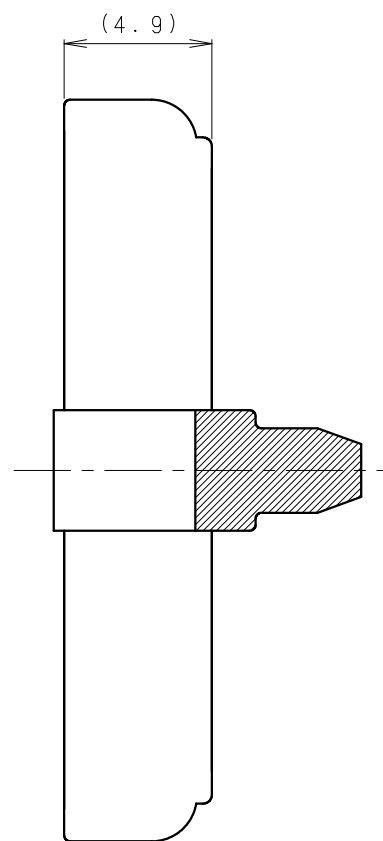
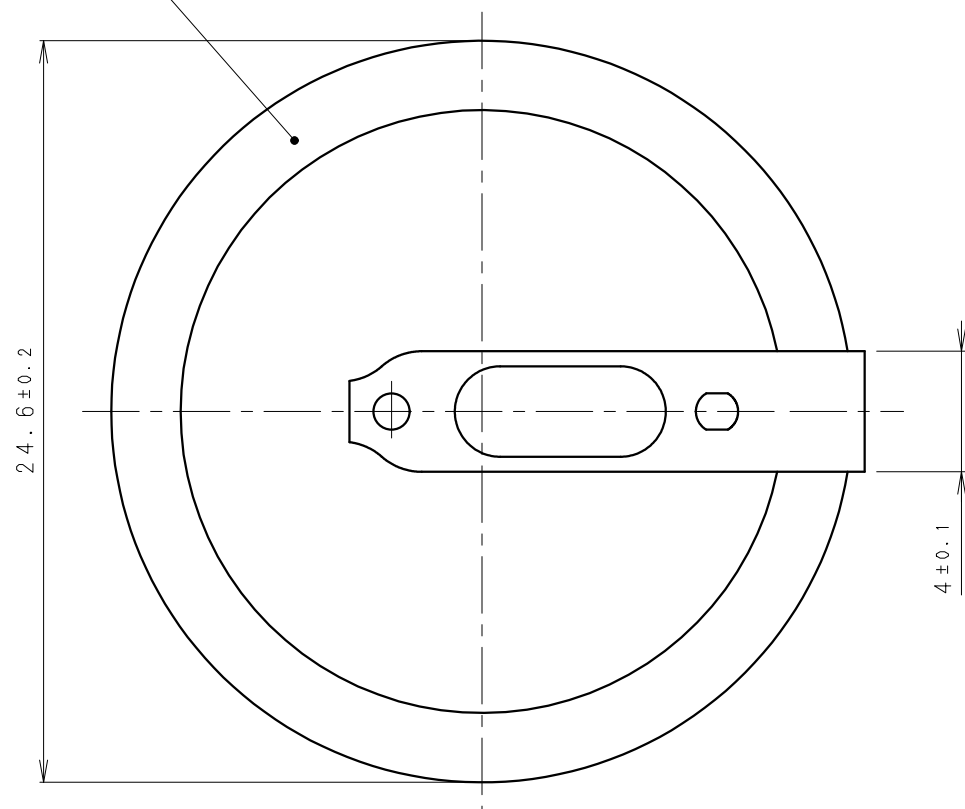
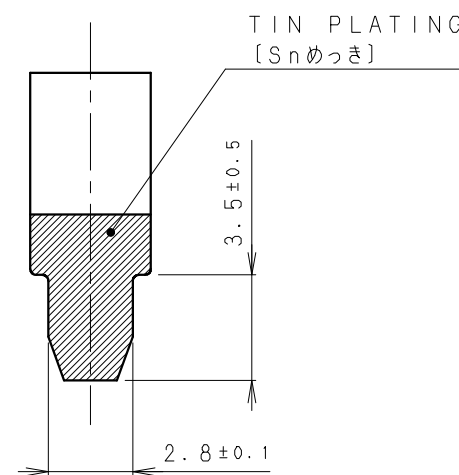
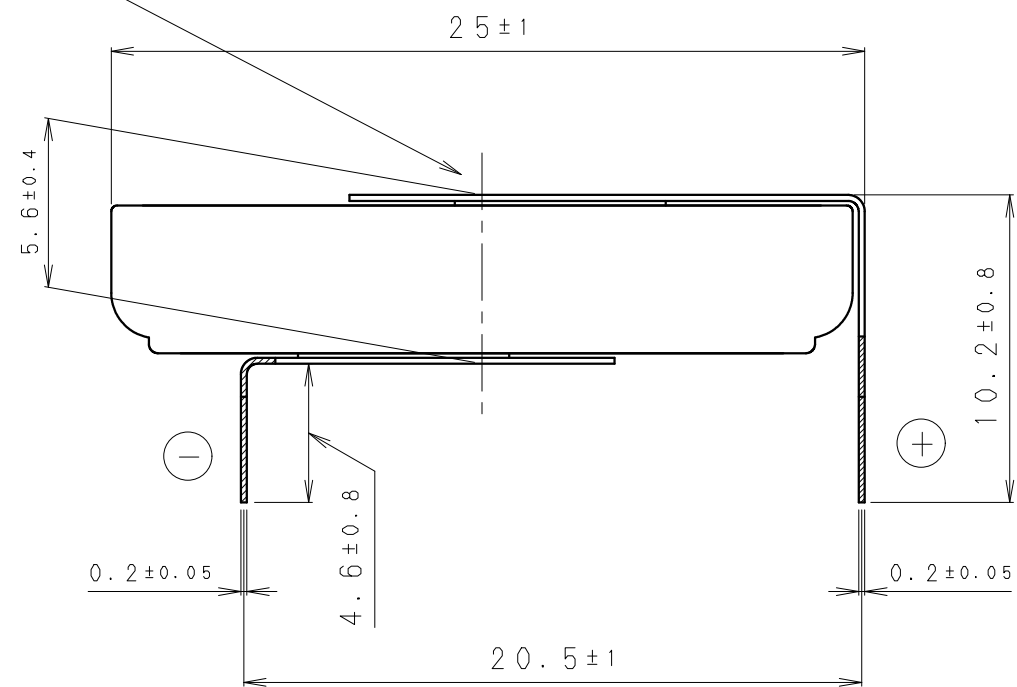
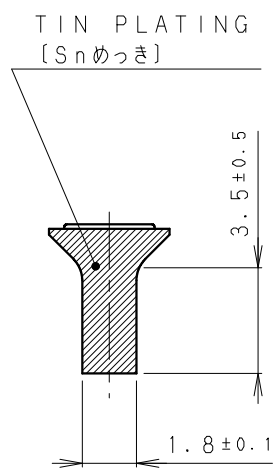


INSULATOR (YELLOW)
 [絶縁チューブ (黄色)]



DATE CODE INDICATION
 ON THIS SIDE (ロット表示面)



NOTE [注記]

1. NOMINAL VOLTAGE: 3V [公称電圧3V]
2. TAB WELDING STRENGTH OVER 19.6N [端子溶接強度: 19.6N以上]
3. TAB MATERIAL: STAINLESS STEEL WITH TIN PLATING [端子材料: 基材 ステンレス/表面 部分Snめっき]
4. (): REFERENCE DIMENSION AND ANGLE (()寸法、角度は参考値)

PRODUCT NO.	CR-2450/H1AN	SCALE	4:1
DRAWING NO.	RUHA1Z	UNIT: mm	