

**Materials and Finish**

Housing Material-  
PBT Thermoplastic  
UL 94V-0 Rated  
Contact Material-  
Phosphor Bronze

**Contact Plating Options-**

Standard: gold flash over  
nickel on entire contact

15: 15u" gold over  
nickel on entire contact

50: 50u" gold over  
nickel on entire contact to  
comply with FCC Requirements  
under No. 47 C.F.R. Part 68,  
Subpart F

**Electrical Characteristics**

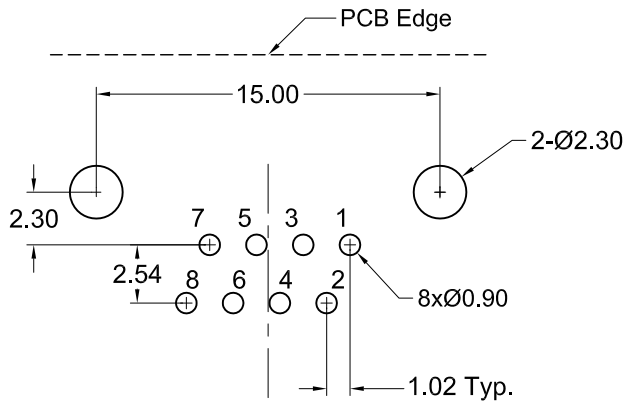
Current Rating-  
1.5 Amps

Voltage Rating-  
125V DC

Insulation Resistance-  
500 Megohms min.

Dielectric Withstanding Voltage-  
1000V rms, 60Hz

Contact Resistance-  
20 milliohms max.



Recommended PCB Layout  
(Bottom View)

Part Number	Contact Area Plating Finish	Color
GLX-N-88M	Gold Flash (standard)	Grey
GLX-N-88M-15	15u" Gold (15 option)	Grey
GLX-N-88M-50	50u" Gold (50 option)	Grey
GLX-N-88M-BLK	Gold Flash (standard)	Black

RoHS COMPLIANT

UL<sup>®</sup>  
E134345

SP<sup>®</sup>  
US  
LR78160

Tolerances
X.X ± 0.35
X.XX ± 0.25
Unless Stated Otherwise

REV.	DATE	DESCRIPTION	REV. BY	CHK. BY	DRAWN BY	DATE
B3	02/27/09	ECO #09-023	S. Vien	H. MA	H. MA	3/14/05
B4	05/13/10	ECO #10-025	S. Vien	H. MA		
B5	05/20/10	ECO #10-028	S. Vien	H. MA		
B6	12/07/11	ECO #11-081	S. Vien	H. MA		UNITS
B7	12/12/13	ECO #13-091	D. Gih	H. MA		
B8	06/05/17	Updated Address	H. MA	N/A		

**GLX-N-88M**

Mod. Jack, Rt Ang PCB Mount, Short Body

8 position, 8 contacts, RoHS Compliant

