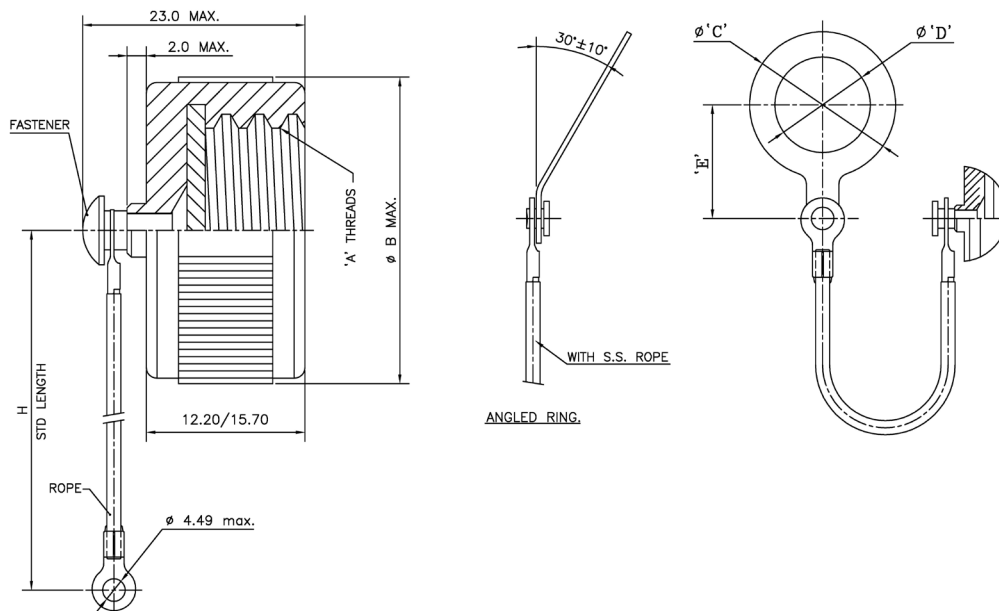


MIL-DTL-38999 SER III RECEPTACLE CAPS D38999/33

JAND38999/33	W	15	R
Designates Receptacle Dust Cover	FINISH	SIZE	STYLE
	W: Aluminum Alloy 500 Hrs. Cadmium Olive Drab Z: Aluminum Alloy 500 Hrs. Black Zinc Nickel F: Aluminum Alloy 48 Hrs. Electroless Nickel	09 11 13 15 17 19 21 23 25	N: W/ S.S Rope & Ring R: S.S Rope hole



Shell Size	A +0.02 / -0.13	B Max.	C +0.0 / -0.15	D Min.	L +13.0 / -7.0
09	0.625"	23.0	27.0	17.64	127
11	0.750"	28.0	32.0	21.97	
13	0.875"	31.0	37.0	25.12	
15	1.000"	32.0	40.0	29.92	
17	1.1875"	37.0	44.0	32.0	
19	1.250"	39.0	46.0	36.27	
21	1.375"	42.0	49.0	38.25	
23	1.500"	45.0	54.0	42.62	
25	1.625"	49.0	56.0	44.45	