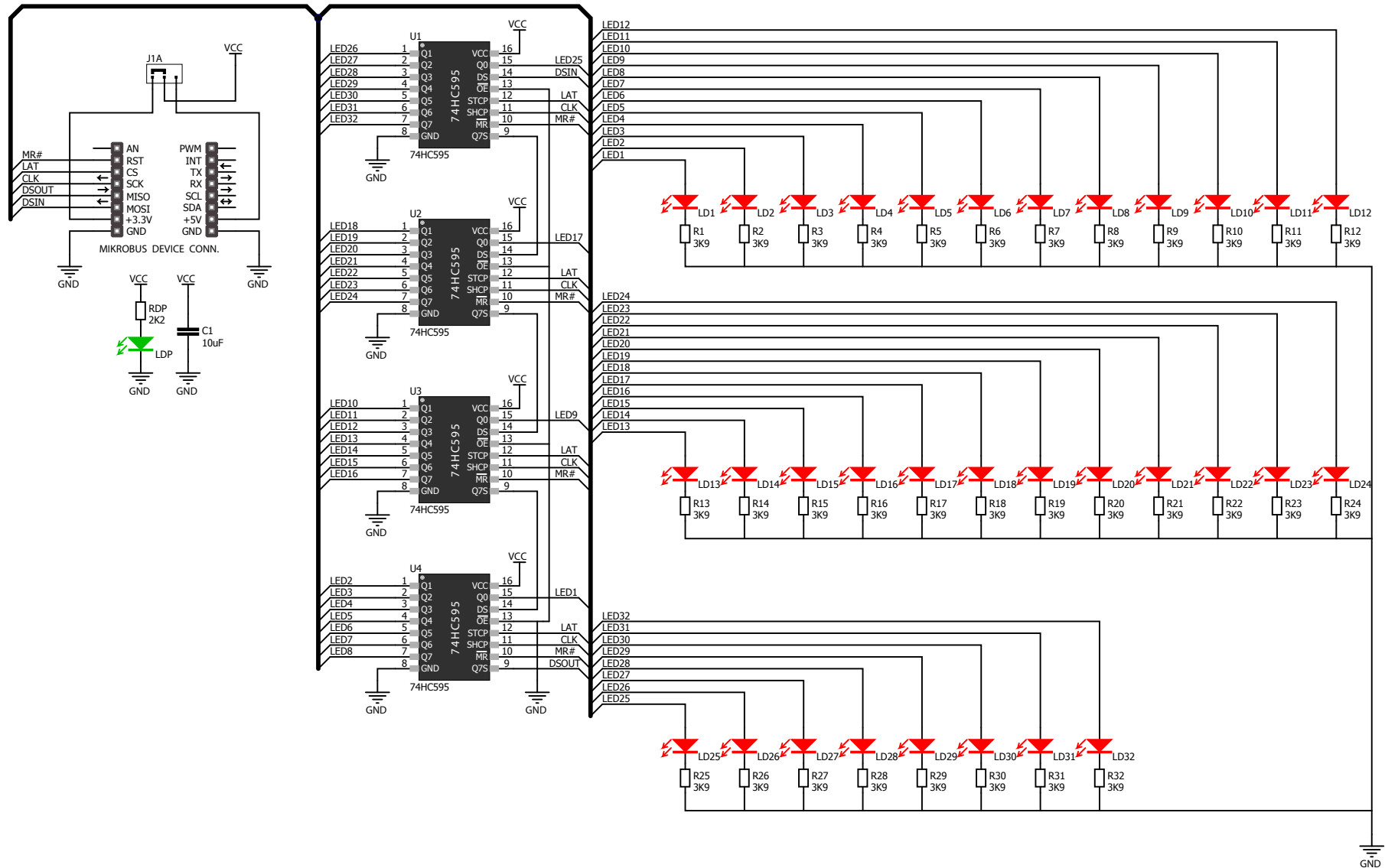


LED ring R click schematic v100



www.mikroe.com