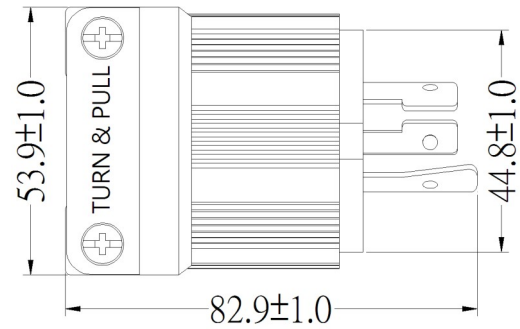




## NEMA L5-20 Locking Plug

### Technical Datasheet



Product Specifications	
Product Item	Twist-Lock Plug
Wiring Scheme	2 Pole, 3 Wire Grounding
Amperage	20A
Voltage	125V AC
NEMA Configuration	L5-20P
Color	Black
Blade Holder Material	Gray Polycarbonate
Terminal Retainer Material	Clear Polycarbonate
Housing Material	Black Nylon
Cord Clamp Material	Black Nylon
Blade Material	Brass
Terminal Screw Material	#8-32 solid brass
Ground Screw Material	#8-32 solid brass (Green)
Listings	UL/cUL E237606