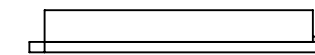
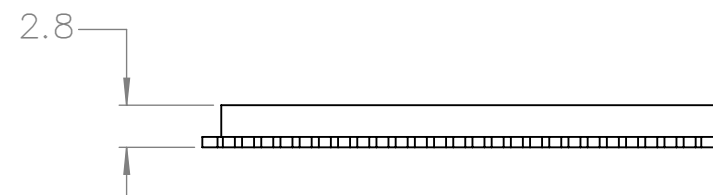
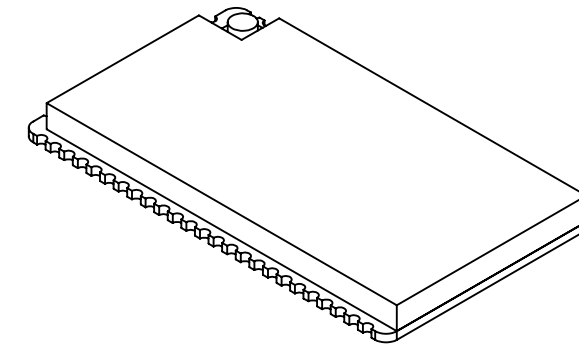
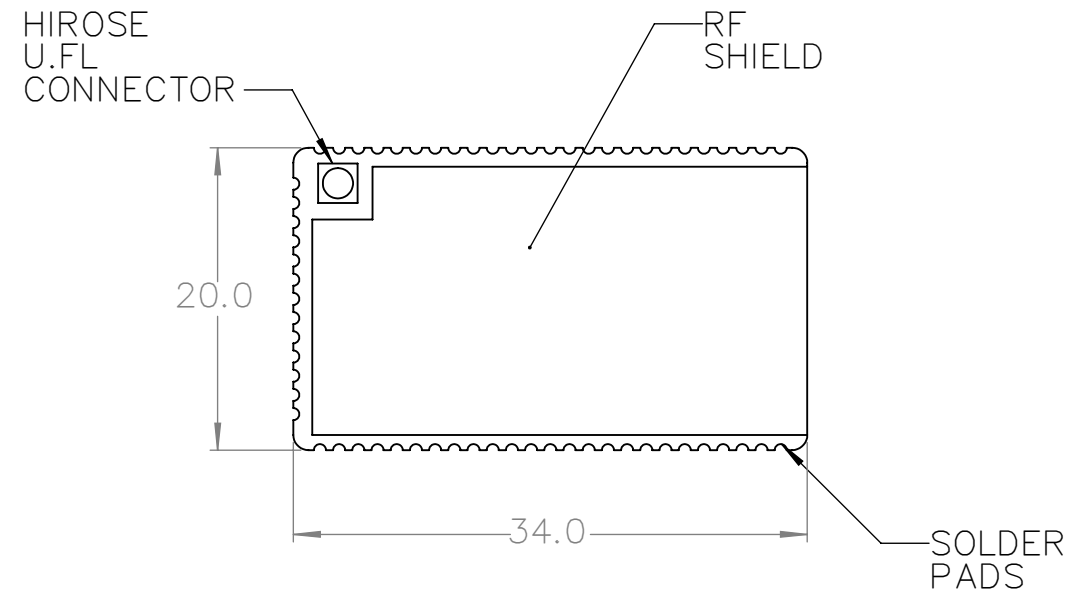

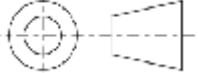


Rev	Description	Date
A	ORIGINAL	2017/01/19
B	RELEASE	2017/06/23



OVERVIEW

		DIMENSION IN MM UNLESS NOTED	THE INFORMATION CONTAINED IN THIS DRAWING IS THE SOLE PROPERTY OF ONION CORPORATION. ANY REPRODUCTION IN PART OR AS A WHOLE WITHOUT THE WRITTEN PERMISSION OF ONION CORPORATION IS PROHIBITED.		
		TOLERANCES	AUTHOR	DATE	
		.X ±0.1	GO	2017/01/19	
		.XX ±0.06	CHECKED	DATE	
		.XXX ±0.010	APPROVED	DATE	TITLE
		ANG.			OMEGA2S
		MACH ±0.5°	PROJECTION TYPE		PART NO.
		BEND ±1°			OM-02S
		MATERIAL			REV.
					B
NEXT ASSY	USED ON	DO NOT SCALE DRAWING	SCALE	SIZE	SHEET
			2:1	B	1 OF 4

8 7 6 5 4 3 2 1

D

D

C

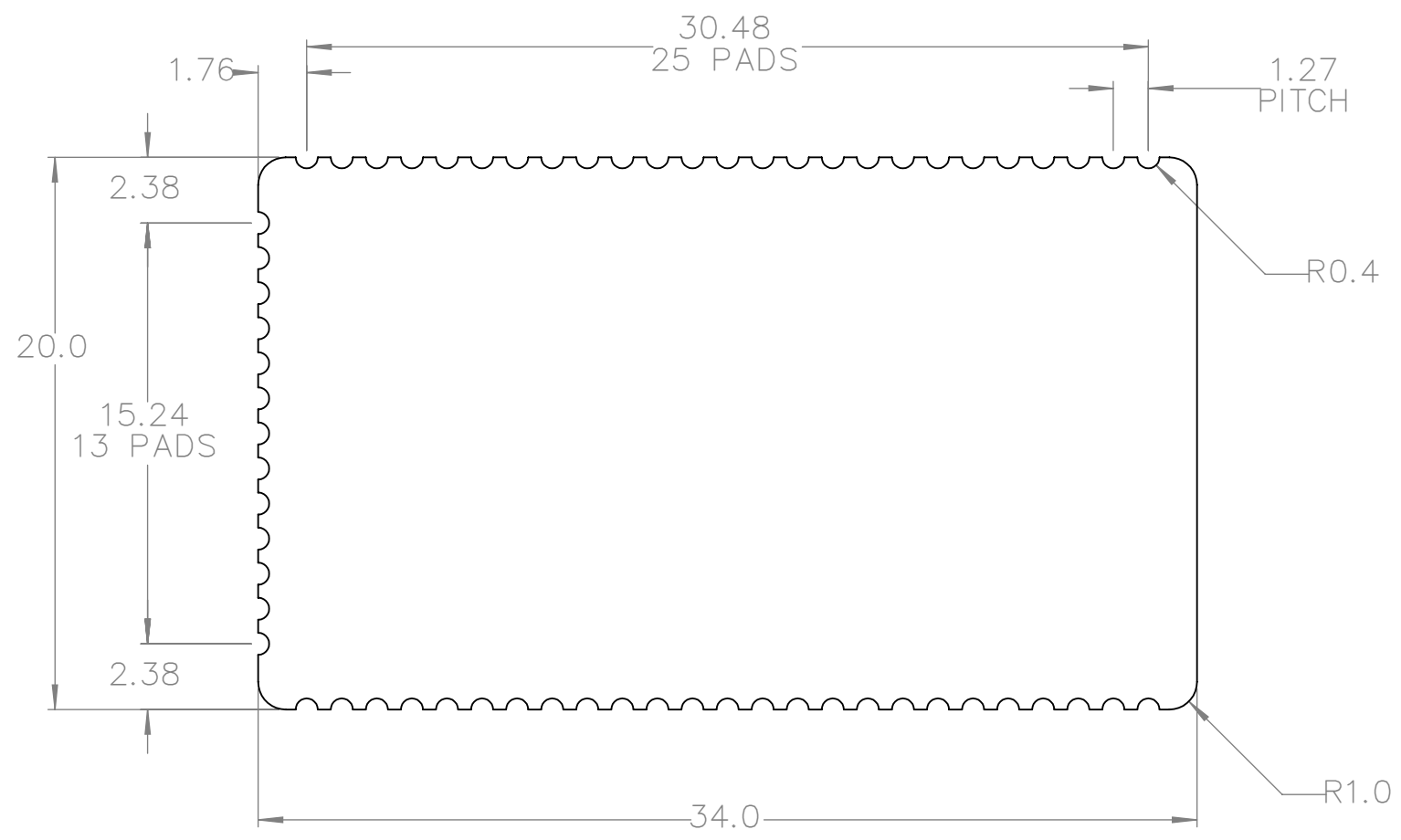
C

B


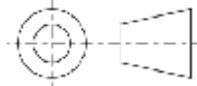
B

A

A



BOARD DETAIL

		DIMENSION IN MM UNLESS NOTED	THE INFORMATION CONTAINED IN THIS DRAWING IS THE SOLE PROPERTY OF ONION CORPORATION. ANY REPRODUCTION IN PART OR AS A WHOLE WITHOUT THE WRITTEN PERMISSION OF ONION CORPORATION IS PROHIBITED.		
		TOLERANCES	AUTHOR	DATE	
		.X ±0.1	GO	2017/01/19	
		.XX ±0.06	CHECKED	DATE	
		.XXX ±0.010	APPROVED	DATE	TITLE
		ANG.			OMEGA2S
		MACH ±0.5°	PROJECTION TYPE		PART NO.
		BEND ±1°			OM-02S
		MATERIAL			REV.
					B
NEXT ASSY	USED ON	DO NOT SCALE DRAWING	SCALE	SIZE	SHEET
			4:1	B	2 OF 4

8 7 6 5 4 3 2 1

8 7 6 5 4 3 2 1

D

D

C

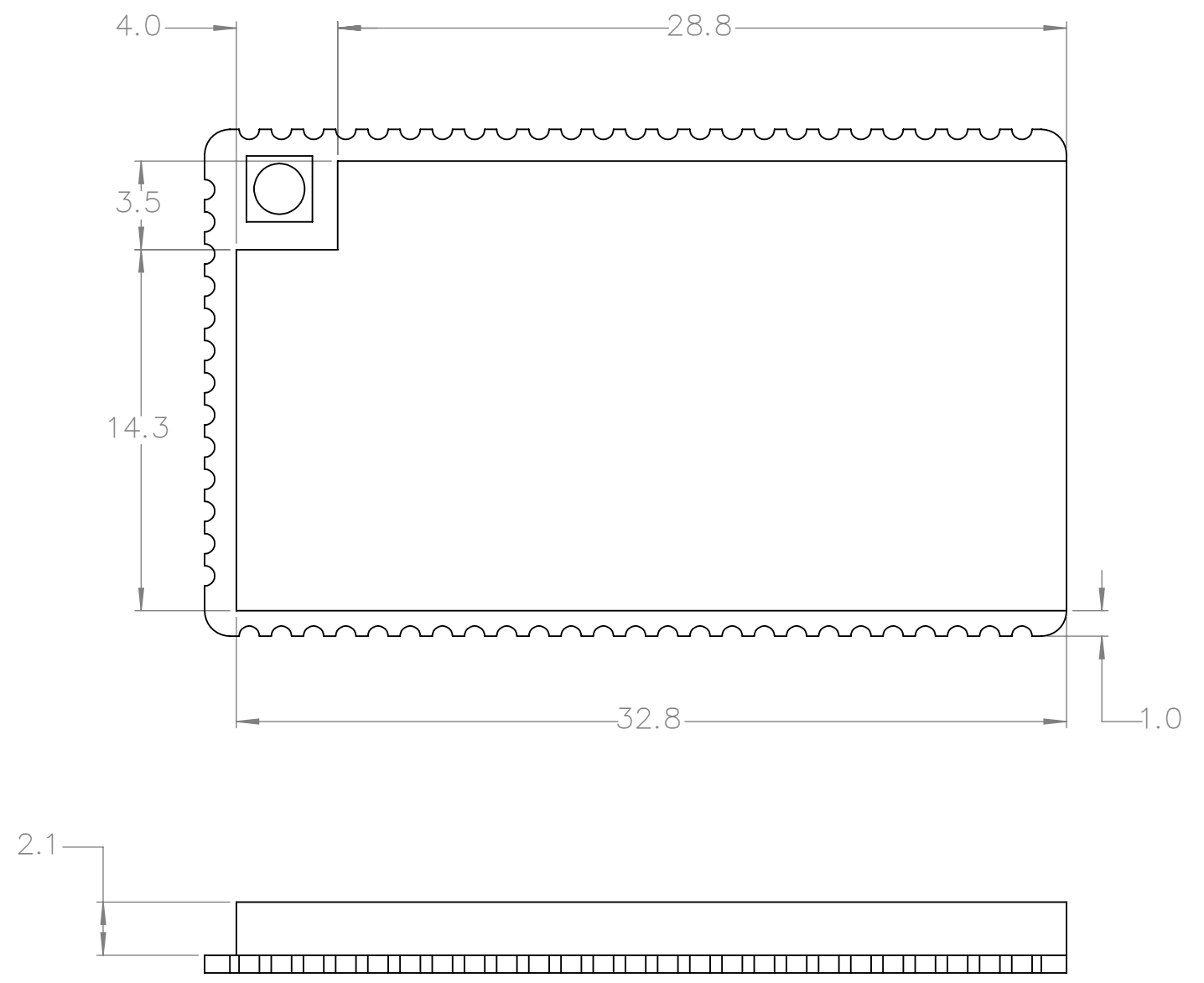
C

B

B

A

A



SHIELD DETAIL

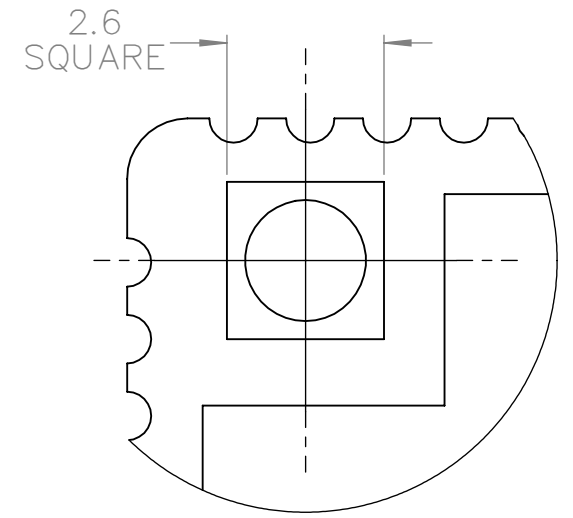
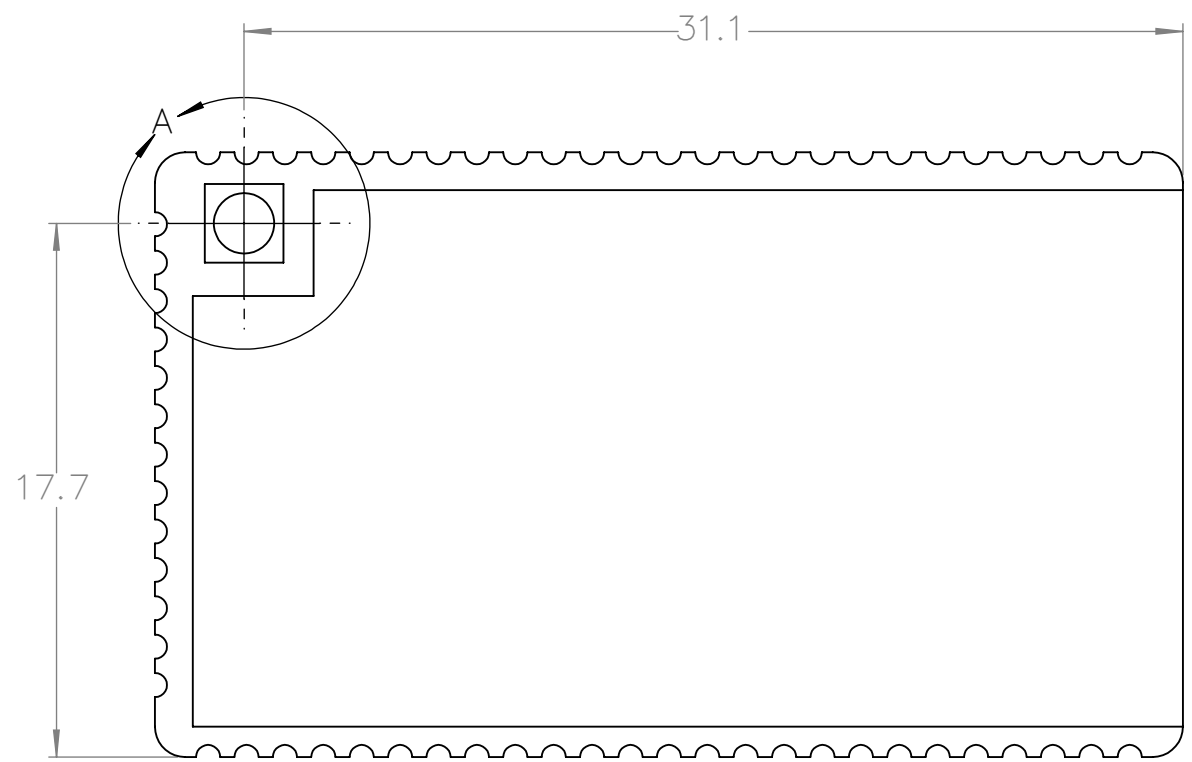
		DIMENSION IN MM UNLESS NOTED	THE INFORMATION CONTAINED IN THIS DRAWING IS THE SOLE PROPERTY OF ONION CORPORATION. ANY REPRODUCTION IN PART OR AS A WHOLE WITHOUT THE WRITTEN PERMISSION OF ONION CORPORATION IS PROHIBITED.	
		TOLERANCES	AUTHOR GO	DATE 2017/01/19
		.X ±0.1	CHECKED	DATE
		.XX ±0.06	APPROVED	DATE
		.XXX ±0.010	PROJECTION TYPE	
		ANG. MACH ±0.5°		TITLE OMEGA2S
		BEND ±1°		PART NO. OM-02S
		MATERIAL		REV. B
NEXT ASSY	USED ON	DO NOT SCALE DRAWING	SCALE 4:1	SIZE B
			SHEET 3 OF 4	

8 7 6 5 4 3 2 1

8 7 6 5 4 3 2 1

D

D



DETAIL A
SCALE 8 : 1

C

C

B

B

COMPONENT DETAIL

A

A

		DIMENSION IN MM UNLESS NOTED	THE INFORMATION CONTAINED IN THIS DRAWING IS THE SOLE PROPERTY OF ONION CORPORATION. ANY REPRODUCTION IN PART OR AS A WHOLE WITHOUT THE WRITTEN PERMISSION OF ONION CORPORATION IS PROHIBITED.		
		TOLERANCES	AUTHOR	DATE	
		.X ±0.1	GO	2017/01/19	
		.XX ±0.06	CHECKED	DATE	TITLE
		.XXX ±0.010	APPROVED	DATE	OMEGA2S
		ANG.	PROJECTION TYPE		PART NO.
		MACH ±0.5°			OM-02S
		BEND ±1°			REV.
		MATERIAL			B
NEXT ASSY	USED ON	DO NOT SCALE DRAWING	SCALE	SIZE	SHEET
			4:1	B	4 OF 4

8 7 6 5 4 3 2 1