

## 60W Single and Dual Output DC-DC converters

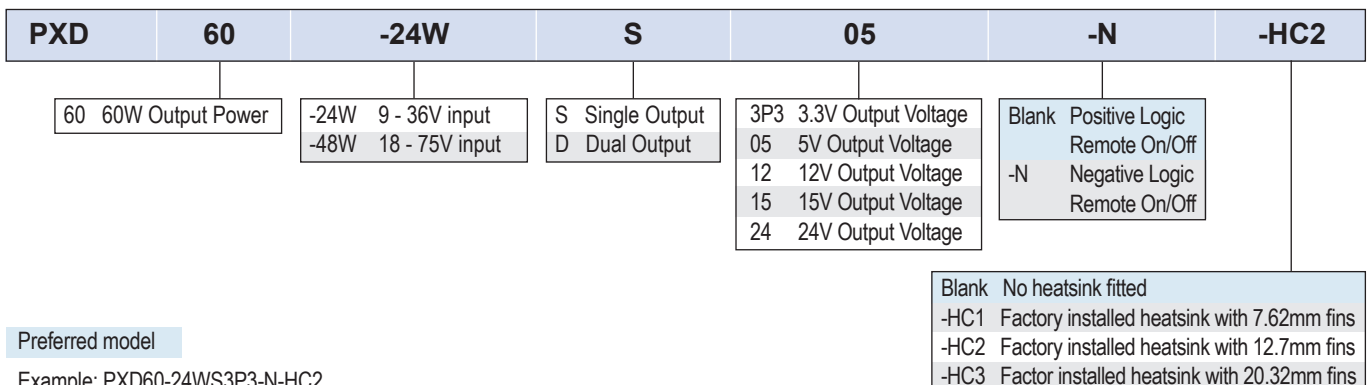
<https://product.tdk.com/en/power/pxd>  
[www.emea.lambda.tdk.com/pxd](http://www.emea.lambda.tdk.com/pxd)



The PXD60 industrial DC-DC converters feature wide 4:1 input ranges in a compact 2" x 1" (50.8 x 25mm) industry standard package. With efficiencies up to 92%, the PXD60 series typically draws a low 3mA input current when the remote on/off function is used, prolonging battery life for portable equipment. The modules have six-sided shielding to reduce radiated noise.

Features	Benefits
• Wide 4:1 Input Range	• Supports Dual 12/24V or 24/48V System Voltages
• Compact 2" x 1" Industry Package	• Less Board Area Needed
• Certified to IEC/UL/CSA/EN 62368-1	• Suitable For Industrial Applications
• Low No Load Power Consumption	• Longer Battery Life
• Six Sided Shielding	• Reduces Radiated Noise

Model Selector							
Model	Input Voltage (V)	Output Voltage (V)	Maximum Current (A)	Maximum Power (W)	No Load Input Current (mA)	Efficiency (%)	Maximum Load Capacitance (uF)
<b>Single Outputs</b>							
PXD60-24WS3P3	9 - 36	3.3	12	39.6	10	90	32,000
PXD60-48WS3P3	18 - 75	3.3	12	39.6	10	90	32,000
PXD60-24WS05	9 - 36	5	12	60	10	92	30,000
PXD60-48WS05	18 - 75	5	12	60	10	92	30,000
PXD60-24WS12	9 - 36	12	5	60	10	92	5,850
PXD60-48WS12	18 - 75	12	5	60	10	92	5,850
PXD60-24WS15	9 - 36	15	4	60	10	92	3,900
PXD60-48WS15	18 - 75	15	4	60	10	92	3,900
PXD60-24WS24	9 - 36	24	2.5	60	10	92	2,000
PXD60-48WS24	18 - 75	24	2.5	60	10	91	2,000
<b>Dual Outputs</b>							
PXD60-24WD12	9 - 36	±12	±2.5	60	10	91	±3,900
PXD60-48WD12	18 - 75	±12	±2.5	60	10	91	±3,900
PXD60-24WD15	9 - 36	±15	±2	60	10	91	±2,400
PXD60-48WD15	18 - 75	±15	±2	60	10	91	±2,400
PXD60-24WD24	9 - 36	±24	±1.25	60	10	91	±1,000
PXD60-48WD24	18 - 75	±24	±1.25	60	10	91	±1,000



Preferred model

Example: PXD60-24WS3P3-N-HC2

## Related Products

Type	Part Number	Description
Heatsink kit (User installation)	ACC-PX2X1-HC01	HC1 heatsink, thermal pad and 2 clips
Heatsink kit (User installation)	ACC-PX2X1-HC02	HC2 heatsink, thermal pad and 2 clips
Heatsink kit (User installation)	ACC-PX2x1-HC03	HC3 heatsink, thermal pad and 2 clips

## Specifications

Model	PXD60	
<b>Input</b>		
Input Voltage Range	-	See model selector table
Input Surge Voltage	Vdc	-24W models: 50, -48W models: 100. (1s maximum)
Input Shutdown Voltage	Vdc	-24W models: 7 - 8.8, -48W models: 15 - 17.5
Start-up Time	ms	60 typical
No Load Current Consumption	-	See model selector table. Typically 3mA if remote on/off is activated
Efficiency	-	See model selector table
Conducted & Radiated EMI	-	EN55032. See instruction manual on website for external circuitry
Immunity	-	See immunity section
Safety Certifications and Markings	-	IEC/UL/CSA/EN62368-1, CE Mark and UKCA Mark

## Immunity

Test	Standard	Test Level	Criteria	Notes
ESD	EN61000-4-2	Air $\pm$ 8kV and Contact $\pm$ 6kV	A	-
Radiated Susceptibility	EN61000-4-3	20V/m	A	-
Electrical Fast Transient Burst	EN61000-4-4	$\pm$ 2kV	A	With an input filter of two 220uF capacitors and a TVS (SMDJ58A for PXD60-24W or SMDJ120A for PXD60-48W)
Surge	EN61000-4-5	$\pm$ 2kV	A	
Conducted Susceptibility	EN61000-4-6	10 Vrms	A	-
Magnetic Fields	EN61000-4-8	100A/m continuous; 1000A/m 1s	A	-

Specifications		
Model		PXD60
<b>Output</b>		
Output Voltage Tolerance	%	±1
Output Voltage Adjustment	%	Single output only. 3.3V-12V, 48V: ±10, 15V-24V: -10/+20, No adjustment on dual output models.
Switching Frequency	kHz	225 - 275
Line Regulation	%	±0.2
Load Regulation	%	Single output: ±0.5 Dual output: ±1
Cross Regulation	%	Dual output: ±5 (Asymmetrical 25% to 100% load change)
External Load Capacitance	-	See model selector table
Ripple & Noise (1)	mVp-p	Single output: 3.3-5V outputs: <100, 12-15V outputs: <150, 24V outputs: <200
Temperature Coefficient	%/°C	±0.02
Minimum Load	-	No minimum load required
Transient Loading	-	250us recovery time for a 25% load change
Overcurrent Protection	%	150, hiccup mode
Overvoltage Protection	V	Zener clamp method. 3.3 V: 3.9, 5V: 6.2, 12V: 15, 15V: 20, 24V: 30 (typical)
Overtemperature Protection	°C	Shutdown, typically 115
Remote Sense	-	No remote sense
Remote On/Off	-	Positive Logic (Blank): ON: Open or 3-12V, OFF Short or 0-1.2V Negative Logic (-N suffix): ON: Short or 0-1.2V, OFF: Open or 3-12V
<b>Environmental</b>		
Operating Temperature (2)	°C	-40 to +105 - see derating section and instruction manual on website (Confirm case temperatures in end system)
Maximum Case Temperature	°C	105 (Overtemperature Protection 115)
Thermal Impedance	°C/W	No heatsink: 10.8, -HC1: 8.3, -HC2: 7.0, -HC3: 5.7
Storage Temperature	°C	-55 to +125
Humidity (non condensing)	%RH	5 - 95 (Operating & Storage)
Cooling	-	Convection or forced air
Altitude	m	5,000 (operating)
Withstand Voltage (For 1 minute)	Vdc	Input to output to case 1,600
Isolation Capacitance	pF	<2200
Vibration (Operating)	-	MIL-STD-810F
Thermal Shock	-	MIL-STD-810F
<b>Other</b>		
Weight (Typ)	g	33 (no heatsink fitted)
Size (LxWxH)	mm	50.8 x 25.4 x 10.2 (no heatsink fitted)
Size (LxWxH)	Inches	2 x 1 x 0.4 (no heatsink fitted)
Case Material	-	Copper
MTBF - MIL-HDBK-217F, Full Load	Hours	858,200
Warranty	Years	3

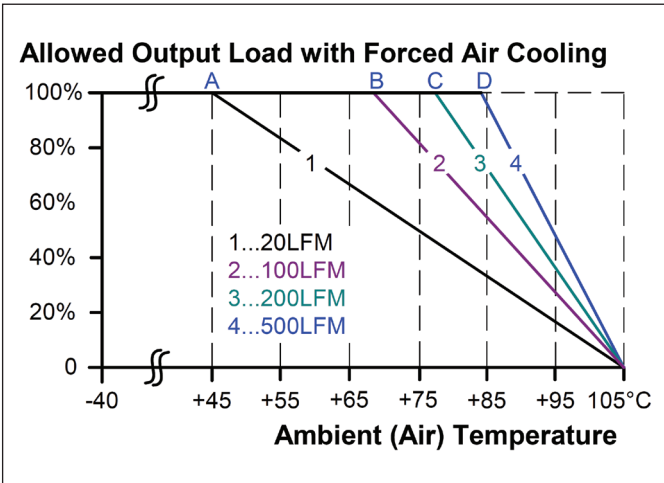
**Notes**

See website for detailed specifications, test methods and installation manual

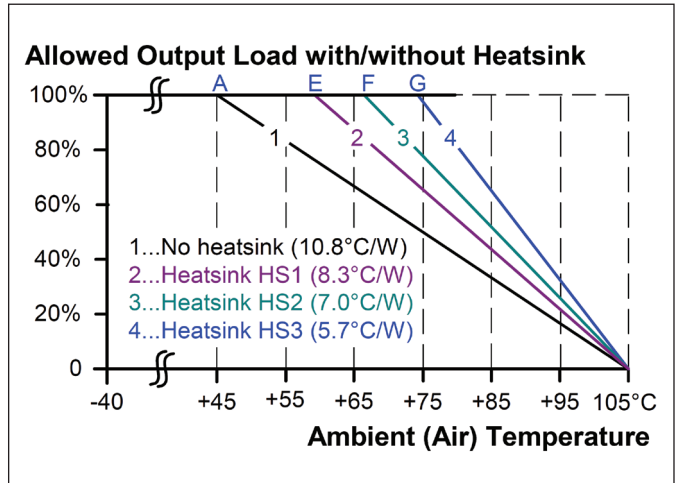
- (1) Measured with a 20MHz bandwidth oscilloscope across an X7R multi-layer ceramic capacitor. 10uF/25V for 3.3 to 15V outputs, 4.7uF/50V for 24V output models
- (2) The case temperature must be confirmed in end application. The product rating may be affected by airflow direction and physical obstructions near the module.

Derating Section

**PXD60-48WS12 - Derating Diagram**



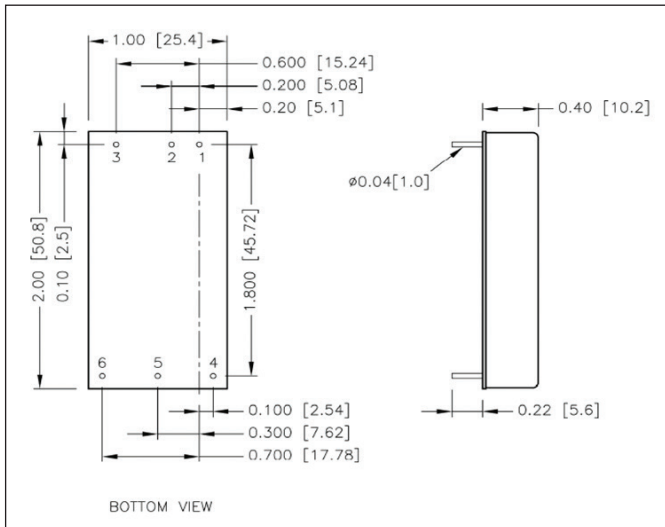
**PXD60-48WS12 - Derating Diagram**



The required power reduction depends on the individual device. The example shows the PXD60-48WS12. The points A to G describe the temperatures at which the power reduction starts. For other models, these points can be taken from the table.

Derating Starting Point	A 20LFM (convection)	B 100LFM	C 200LFM	D 500LFM	E with HC1	F with HC2	G with HC3
PXD60-24WS3P3	61°C	77°C	85°C	89°C	71°C	77°C	82°C
PXD60-24WS05	50°C	70°C	80°C	85°C	62°C	69°C	76°C
PXD60-24WS12	43°C	67°C	77°C	82°C	58°C	65°C	72°C
PXD60-24WS15	51°C	72°C	80°C	85°C	64°C	70°C	77°C
PXD60-24WS24	51°C	72°C	80°C	85°C	64°C	70°C	77°C
PXD60-24WD12	39°C	65°C	75°C	81°C	55°C	62°C	70°C
PXD60-24WD15	50°C	71°C	80°C	84°C	62°C	69°C	76°C
PXD60-24WD24	48°C	70°C	78°C	84°C	61°C	68°C	75°C
PXD60-48WS3P3	61°C	77°C	85°C	89°C	71°C	77°C	82°C
PXD60-48WS05	50°C	70°C	80°C	85°C	62°C	69°C	76°C
PXD60-48WS12	45°C	68°C	77°C	84°C	59°C	66°C	73°C
PXD60-48WS15	44°C	67°C	77°C	82°C	58°C	65°C	73°C
PXD60-48WS24	45°C	68°C	78°C	83°C	59°C	66°C	73°C
PXD60-48WD12	39°C	65°C	75°C	81°C	55°C	62°C	70°C
PXD60-48WD15	45°C	68°C	78°C	83°C	58°C	66°C	73°C
PXD60-48WD24	48°C	70°C	79°C	84°C	61°C	68°C	75°C

## Outline Drawing

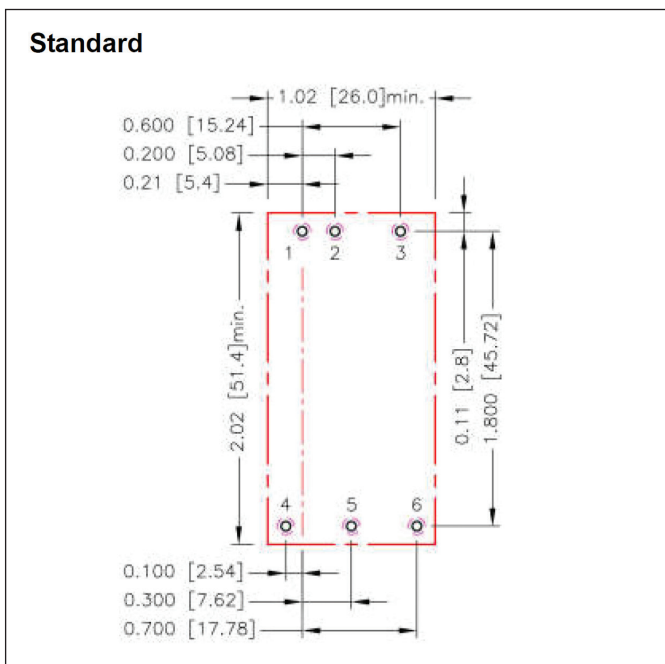


## Pinout

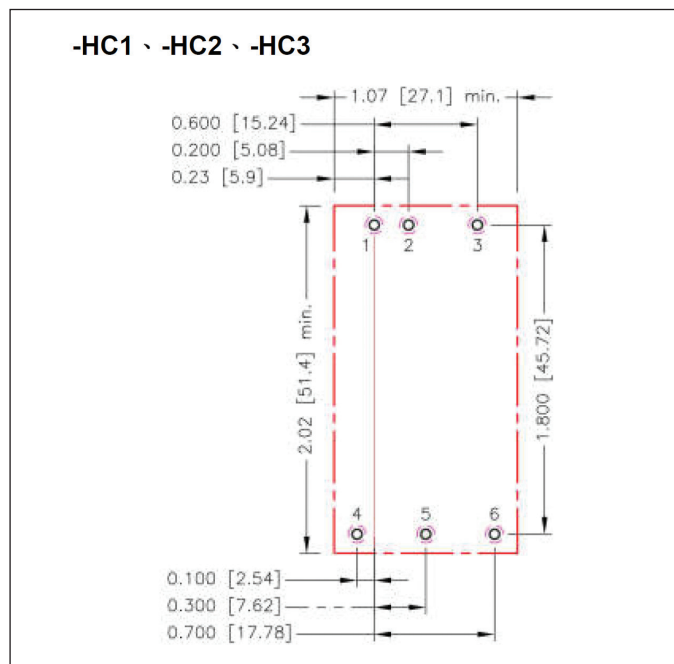
PIN	Function	
	Single	Dual
1	+Vin	
2	-Vin	
3	Ctrl	
4	+Vout	
5	-Vout	Com
6	Trim	-Vout

- All dimensions in inch (mm)  
Tolerance:  $x.xx \pm 0.02$  [ $x.x \pm 0.5$ ]  
 $x.xx \pm 0.02$  [ $x.x \pm 0.25$ ]
- Pin dimension tolerance  $\pm 0.004$  [0.10]

## Recommended PCB Layout



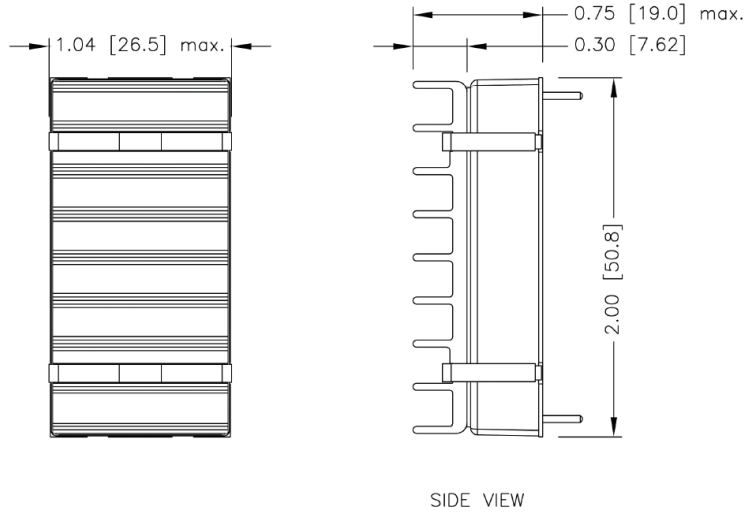
## Recommended PCB Layout



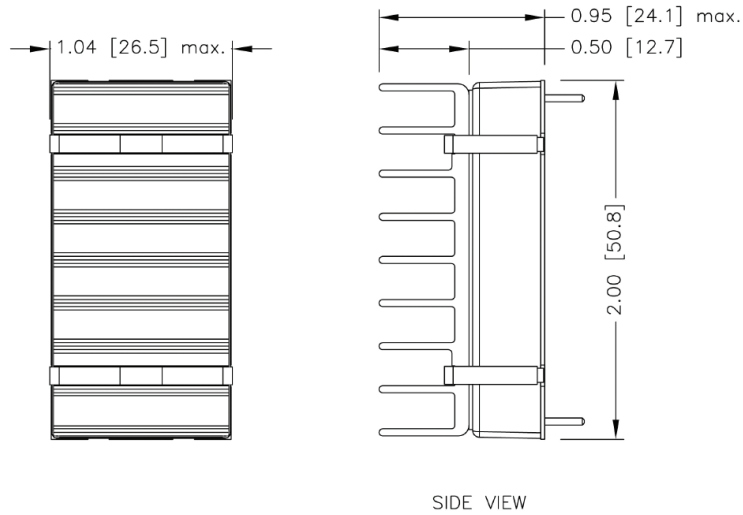
All dimensions in inch[mm]  
 Pad size(lead free recommended)  
 Through hole 1.2.3.4.5.6:  $\Phi 0.051$ [1.30]  
 Top view pad 1.2.3.4.5.6:  $\Phi 0.064$ [1.63]  
 Bottom view pad 1.2.3.4.5.6:  $\Phi 0.102$ [2.60]

**Heat-Sink Type Options**

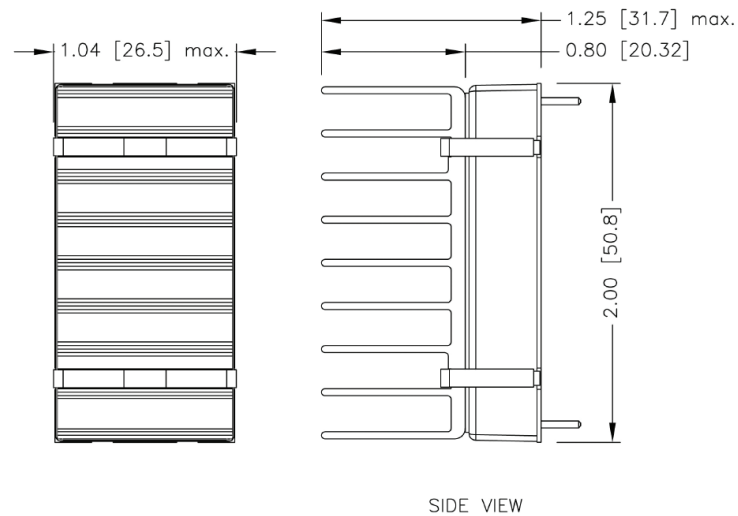
**HC1**



**HC2**



**HC3**



1. All dimensions in inch [mm]
2. Tolerance :x.xx±0.02 [x.x±0.5]  
x.xxx±0.010 [x.xx±0.25]



## TDK-Lambda France SAS

Tel: +33 1 60 12 71 65  
france@fr.tdk-lambda.com  
www.emea.lambda.tdk.com/fr



## Italy Sales Office

Tel: +39 02 61 29 38 63  
info.italia@it.tdk-lambda.com  
www.emea.lambda.tdk.com/it



## Netherlands

info@nl.tdk-lambda.com  
www.emea.lambda.tdk.com/nl



## TDK-Lambda Germany GmbH

Tel: +49 7841 666 0  
info@de.tdk-lambda.com  
www.emea.lambda.tdk.com/de



## Austria Sales Office

Tel: +43 2256 655 84  
info@at.tdk-lambda.com  
www.emea.lambda.tdk.com/at



## Switzerland Sales Office

Tel: +41 44 850 53 53  
info@ch.tdk-lambda.com  
www.emea.lambda.tdk.com/ch



## Nordic Sales Office

Tel: +45 8853 8086  
info@dk.tdk-lambda.com  
www.emea.lambda.tdk.com/dk



## TDK-Lambda UK Ltd.

Tel: +44 (0) 12 71 85 66 66  
info@uk.tdk-lambda.com  
www.emea.lambda.tdk.com/uk



## TDK-Lambda Ltd.

Tel: +9 723 902 4333  
info@tdk-lambda.co.il  
www.emea.lambda.tdk.com/il



## C.I.S.

### Commercial Support:

Tel: +7 (495) 665 2627

### Technical Support:

Tel: +7 (812) 658 0463  
info@tdk-lambda.ru  
www.emea.lambda.tdk.com/ru



## TDK-Lambda Americas

Tel: +1 800-LAMBDA-4 or 1-800-526-2324  
powersolutions@us.tdk-lambda.com  
www.us.lambda.tdk.com



## TDK Electronics do Brasil Ltda

Tel: +55 11 3289-9599  
sales.br@tdk-electronics.tdk.com  
www.tdk-electronics.tdk.com/en



## TDK-Lambda Corporation

Tel: +81-3-6778-1113  
www.jp.lambda.tdk.com



## TDK-Lambda (China) Electronics Co. Ltd.

Tel: +86 21 6485-0777  
powersolutions@cn.tdk-lambda.com  
www.lambda.tdk.com.cn



## TDK-Lambda Singapore Pte Ltd.

Tel: +65 6251 7211  
tis.mkt@sg.tdk-lambda.com  
www.sg.lambda.tdk.com



## TDK India Private Limited, Power Supply Division

Tel: +91 80 4039-0660  
mathew.philip@in.tdk-lambda.com  
www.sg.lambda.tdk.com

