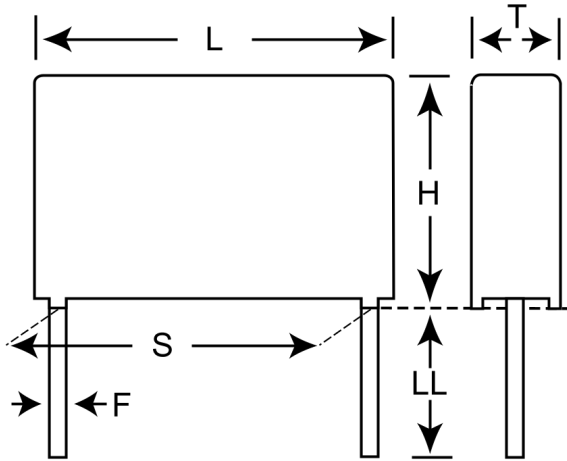


R75LF24704000K

Aliases (75LF24704000K)

R75L, Film, Metallized Polypropylene, General Purpose, 0.047 uF, 10%, 560 VDC, 85°C, Lead Spacing = 10mm



Click [here](#) for the 3D model.

Dimensions	
L	13mm +0.3mm
H	11mm +0.1mm
T	5mm +0.2mm
S	10mm +/-0.4mm
LL	30mm +5mm
F	0.8mm +/-0.05mm

Packaging Specifications	
Packaging	Bulk, Bag

General Information	
Series	R75L
Dielectric	Metallized Polypropylene
Style	Radial
Features	Pulse, Capacitive Power Supply
RoHS	Yes
Lead	Wire Leads
AEC-Q200	No
Component Weight	0.933 g

Specifications	
Capacitance	0.047 uF
Capacitance Tolerance	10%
Voltage AC	250 VAC
Voltage DC	560 VDC, 336 VDC (105C)
Temperature Range	-55/+105°C
Rated Temperature	85°C
Dissipation Factor	4% 1kHz, 6% 10kHz, 25% 100kHz
Insulation Resistance	640 GOhms
Max dV/dt	1500 V/us
Inductance	10 nH

Statements of suitability for certain applications are based on our knowledge of typical operating conditions for such applications, but are not intended to constitute - and we specifically disclaim - any warranty concerning suitability for a specific customer application or use. This Information is intended for use only by customers who have the requisite experience and capability to determine the correct products for their application. Any technical advice inferred from this Information or otherwise provided by us with reference to the use of our products is given gratis, and we assume no obligation or liability for the advice given or results obtained.