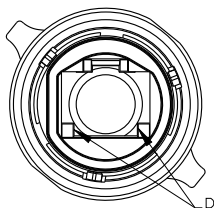
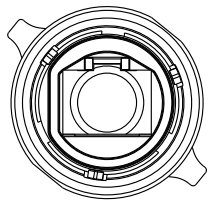
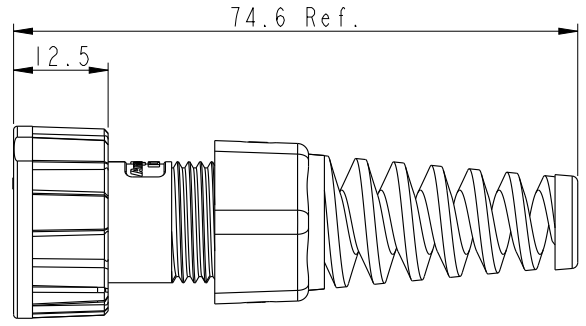
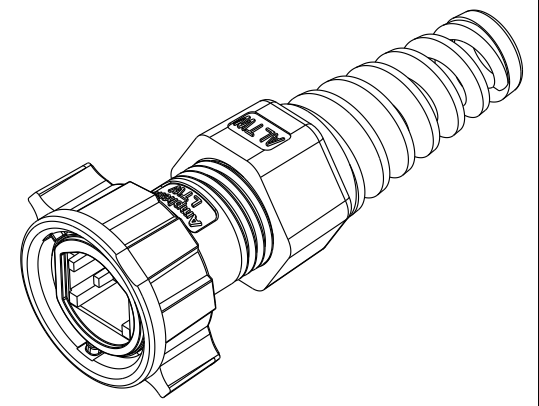
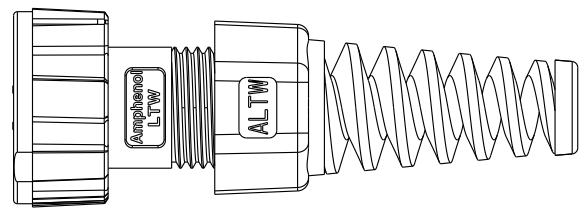
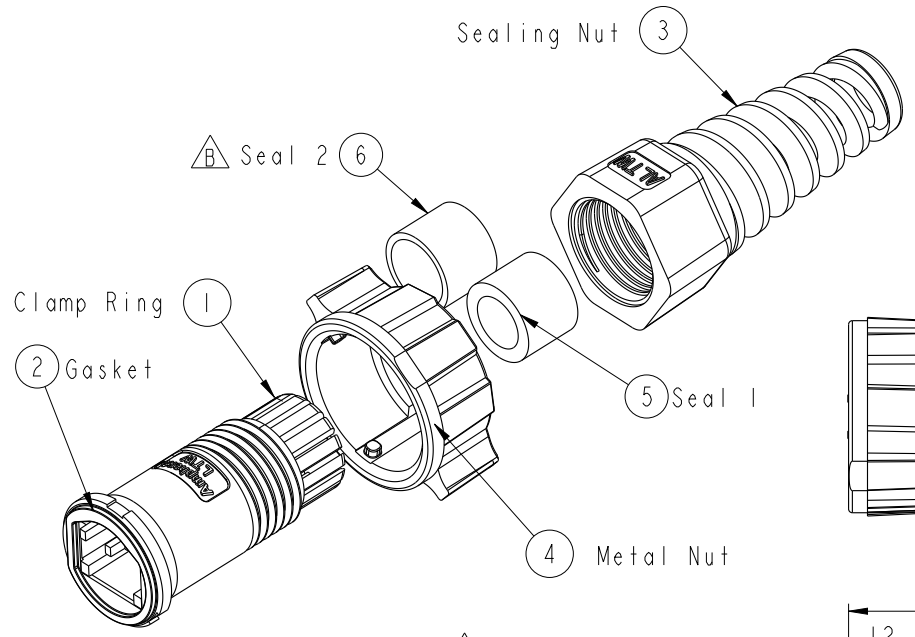
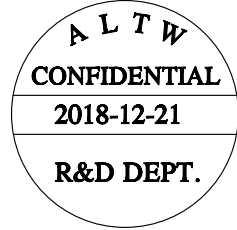


REV.	ECN NO.	DATE	SIGN	DESCRIPTION
A		2017/03/29	Kris	Initial Release
B	CI90019	2018/12/21	Mafei	Adding One Connector.



RCM-00AMMA-TLM7002

RCM-00AMMA-TLM7001



- Note:
- * ⌀ Important Dimension to Check
 - * Waterproof Rate: IP67 (Mated)
 - * Clamp Ring: Nylon, Black.
 - * Metal Nut: ZINC Alloy, Nickel plated.
 - * Sealing Nut: Nylon, Black
 - * Seal & Gasket: Silicone, Drak Gray
 - * Seal 1 for cable OD range: $\text{⌀}4.5\sim\text{⌀}7.5\text{mm}$;
 - * Seal 2 for cable OD range: $\text{⌀}7.5\sim\text{⌀}8.5\text{mm}$;
 - * One Set Unassembled In One PE Bag.



UNIT: mm		
TOLERANCE		
.X	± 0.25	
.XX	± 0.1	
.XXX	± 0.05	
ANGLES	$\pm 1^\circ$	

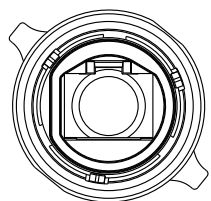
TITLE RJ Field Installable, Metal Nut			
SCALE 1:1	SIZE A4	SHEET 1 OF 2	
REV. B	WC-REV. A.5	⌀ : Inspection item	

Amphenol LTW
安費諾亮泰企業股份有限公司

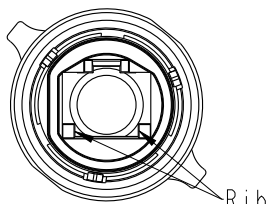
ITEM NO.	DRAWN BY Mafei	DATE 2018-12-21
DWG NO. RCM-00AMMA-TLM700X	CHECKED BY Jerry	DATE 2018-12-21
CUSTOMER ALTW	APPROVED BY Max	DATE 2018-12-21

THIS DOCUMENT IS SUBJECT TO CHANGE WITHOUT NOTICE. IT IS CONFIDENTIAL AND A PROPERTY OF Amphenol LTW. DISCLOSURE TO THIRD PARTY HAS TO BE AUTHORIZED BY Amphenol LTW.

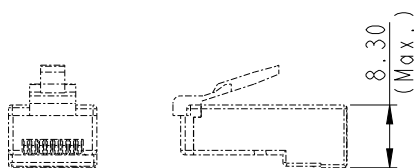
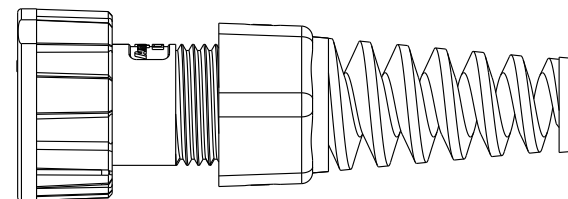
THIS DOCUMENT IS SUBJECT TO CHANGE WITHOUT NOTICE. IT IS CONFIDENTIAL AND A PROPERTY OF Amphenol LTW. DISCLOSURE TO THIRD PARTY HAS TO BE AUTHORIZED BY Amphenol LTW.



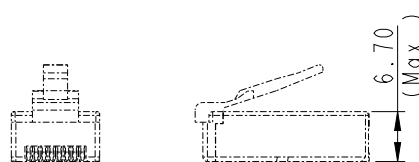
RCM-00AMMA-TLM7002



RCM-00AMMA-TLM7001

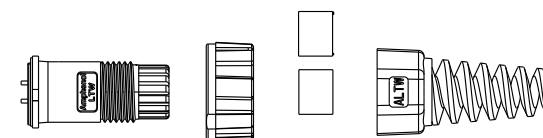


Suggested Plug: Style 2
For: RCM-00AMMA-TLM7002

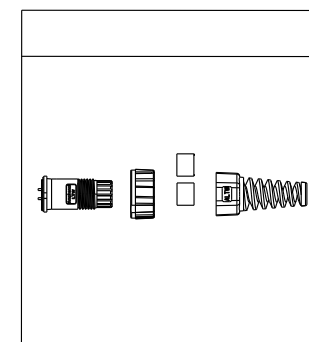


Suggested Plug: Style 1
For: RCM-00AMMA-TLM7001

Package



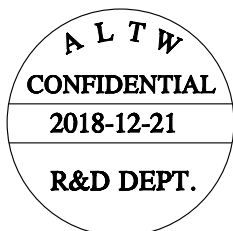
↓ QTY: 1 Set



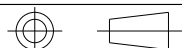
PE Bag

RCM-00AMMA-TLM700X

- 1: Suitable for Plug Style 1, Without Plug.
- 2: Suitable for Plug Style 2, Without Plug.



UNIT: mm



TOLERANCE
.X ±0.25
.XX ±0.1
.XXX ±0.05
ANGLES ±1°

TITLE RJ Field Installable, Metal Nut			
SCALE 1:1	SIZE A4	SHEET 2 OF 2	
REV. B	WC-REV. A.5	QC: Inspection item	

Amphenol LTW
安費諾亮泰企業股份有限公司

ITEM NO	DRAWN BY Mafei	DATE 2018-12-21
DWG NO RCM-00AMMA-TLM700X	CHECKED BY Jerry	DATE 2018-12-21
CUSTOMER ALTW	APPROVED BY Max	DATE 2018-12-21