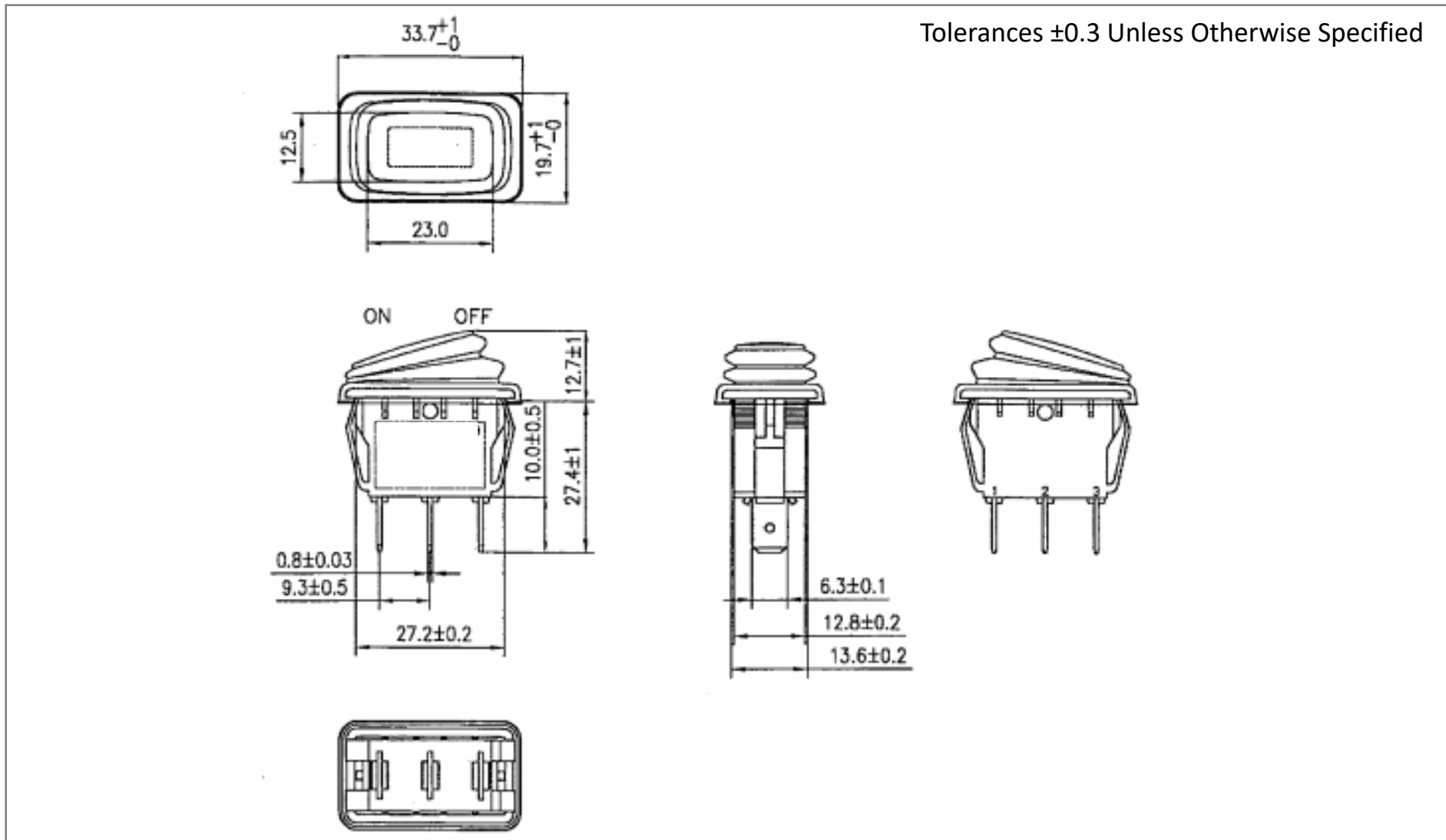
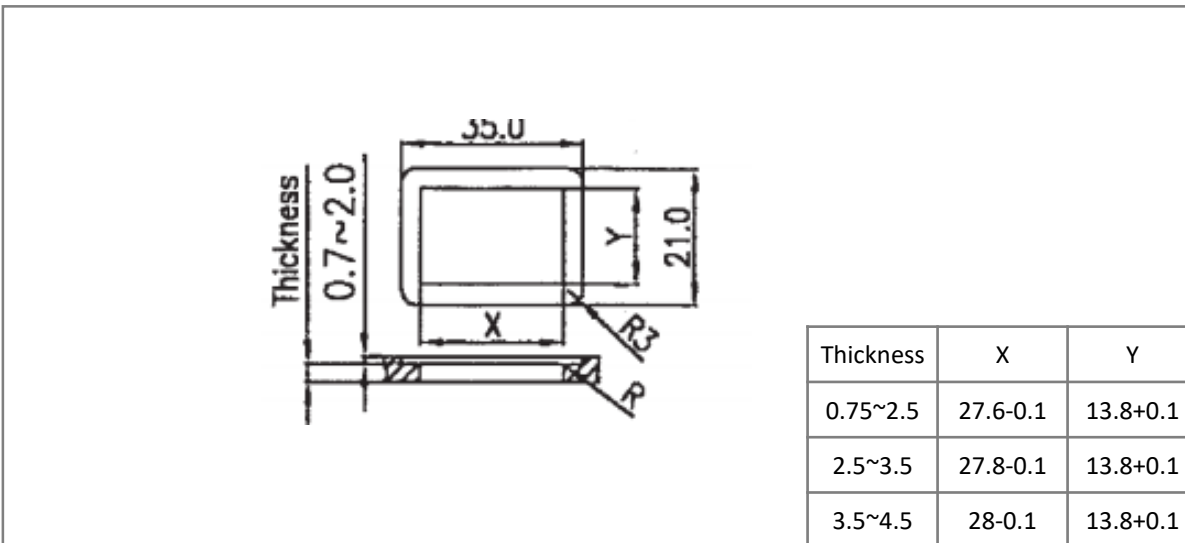


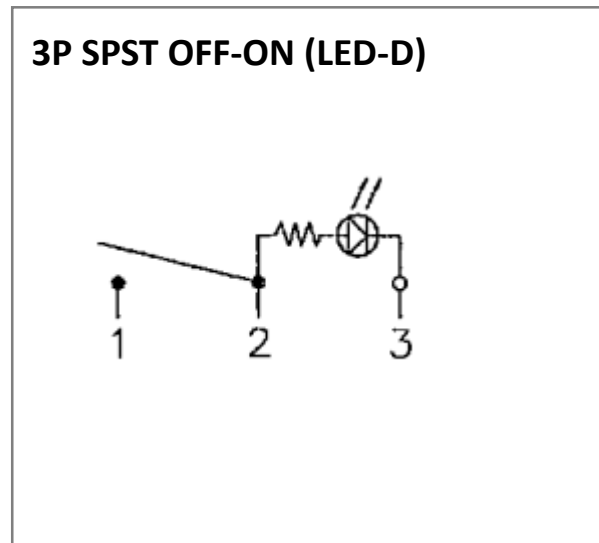
Mechanical Dimensions (mm)



Mounting Hole



Circuit Diagram



Electrical Specifications

Rating	25A 14V DC
Contact Resistance	50m ohm Max.
Insulation Resistance	DC 500V 100M ohm Min.
Dielectric Strength	AC 1500V 1 minute
Operation Temperature	-25°C~85°C

Material Specifications

Frame	Black, Nylon#66
Actuator	Blue, Nylon#66+30%GF
Terminal	1,2:Copper alloy, Silver plated 3: Brass alloy
LED	Blue (Dependent)
Waterproof	IP65, Black Silicone Rubber