

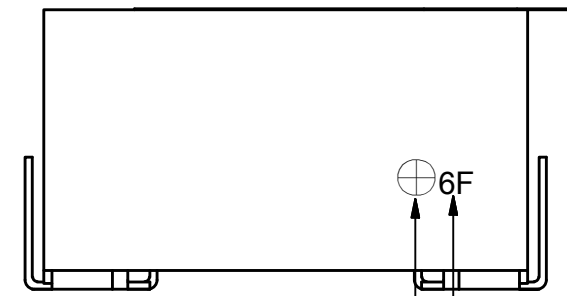
# SPECIFICATIONS

PARAMETERS	VALUES	UNITS
RATED VOLTAGE	5	Vdc
OPERATING VOLTAGE RANGE	3 ~ 7	Vdc
RATED CURRENT (MAX)	30	mA
MINIMUM SPL @ 10 CM	88	dBA
RESONANT FREQUENCY	2,400 ± 500	Hz
TONE OR PULSE RATE	CONTINUOUS	0 pulse/sec
OPERATING TEMPERATURE	-30 ~ +70	°C
STORAGE TEMPERATURE	-40 ~ +80	°C
HOUSING MATERIAL	PPS	-
TERMINAL MATERIAL	Au PLATED BRASS	-
WEIGHT	2.2	grams

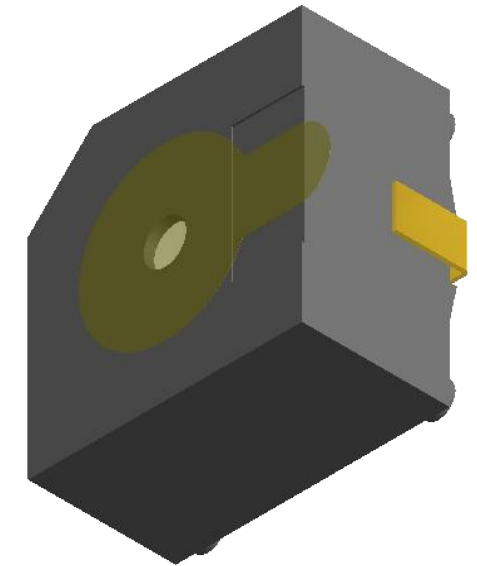
THIS DOCUMENT CONTAINS DATA PROPRIETARY TO PROJECTS UNLIMITED, INC. ANY USE OR REPRODUCTION, IN ANY FORM, WITHOUT PRIOR WRITTEN PERMISSION OF PROJECTS UNLIMITED, INC. IS PROHIBITED.  
©2003, Projects Unlimited Inc.

# REVISION HISTORY

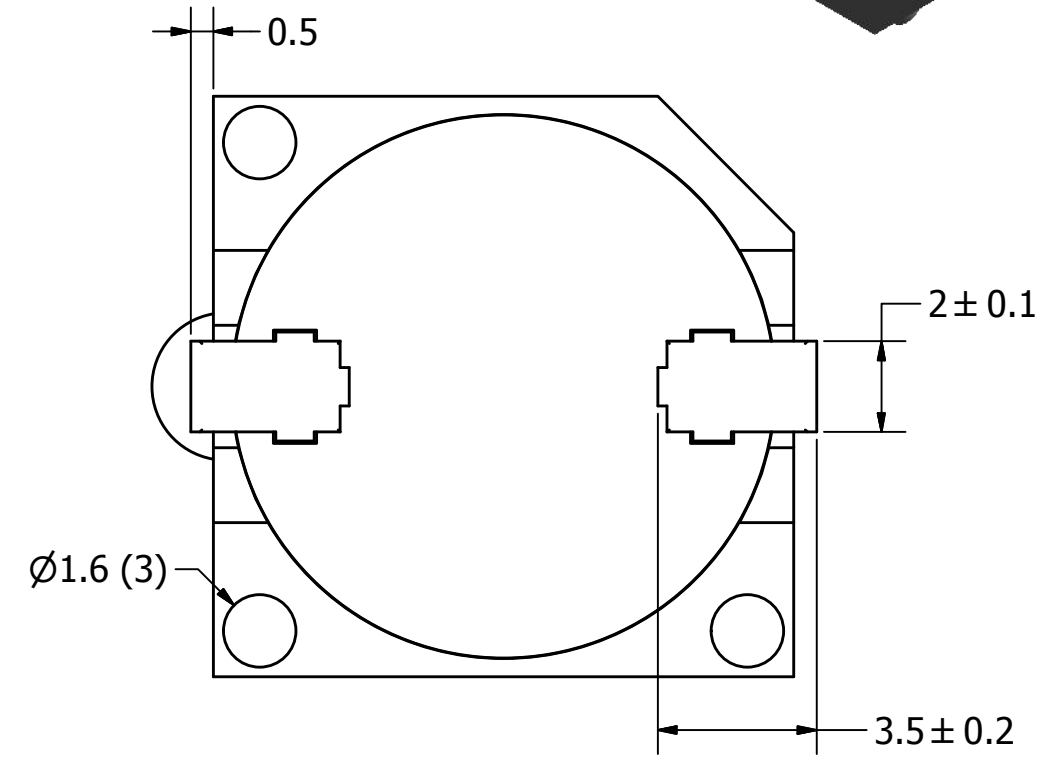
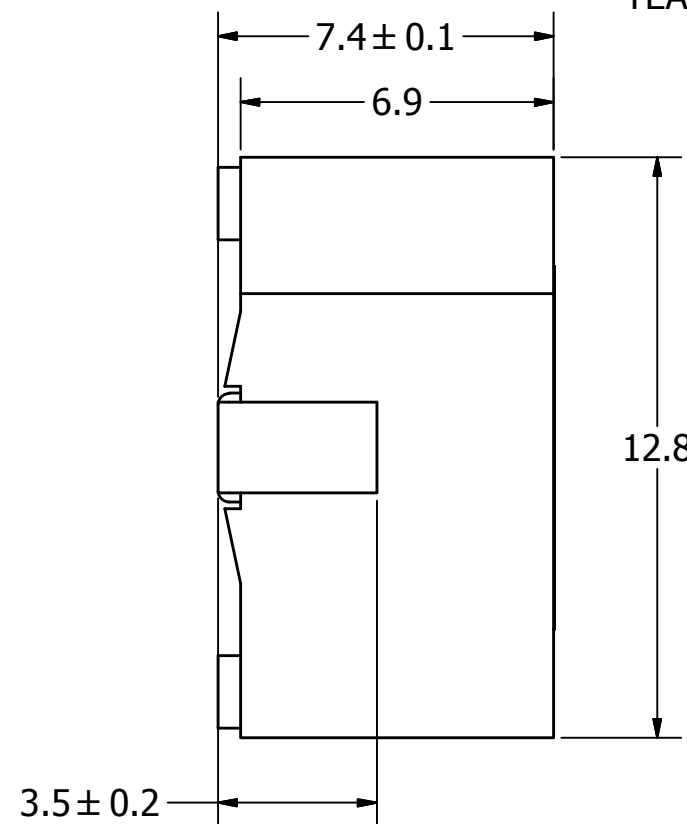
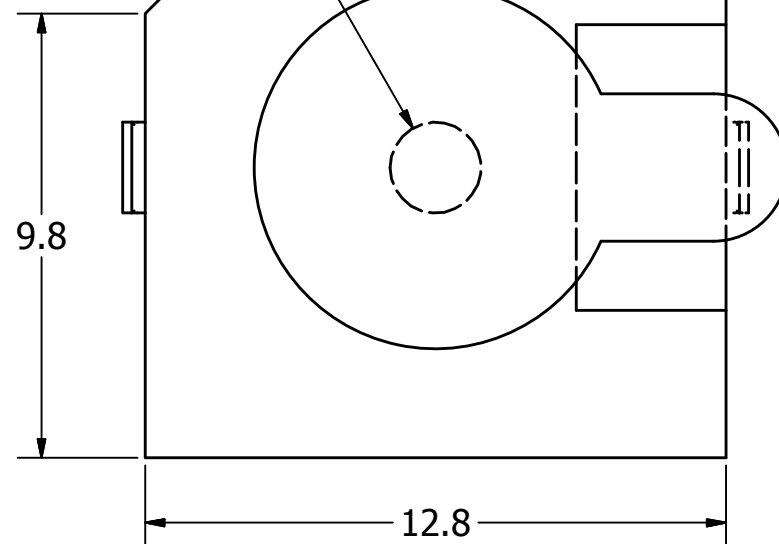
LTR	DESCRIPTION	DATE	APPROVED
-	RELEASED FROM ENGINEERING	7/17/2008	
A	REVISED OPERATING VOLTAGE RANGE	11/3/2009	B.R.
B	REVISED TO INVENTOR 3-D DRAWING TEMPLATE	5/28/2010	B.R.
C	REVISED PART HEIGHT DIMENSIONS	7/28/2010	B.R.
D	REVISED LENGTH AND WIDTH	10/29/2012	B.R.



DATE CODE MARKING  
"6 F"  
YEAR:6=2006 MONTH:F=JUN

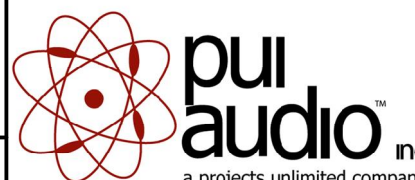


Ø2 SOUND EMISSION HOLE



## NOTES:

1. ALL DIMENSIONS ARE IN MILLIMETERS.
2. SPECIFICATIONS SUBJECT TO CHANGE OR WITHDRAWL WITHOUT NOTICE.
3. THIS PART IS RoHS 2002/95/EC COMPLIANT.

UNLESS OTHERWISE SPECIFIED:	SIZE	Designed by	Date	Checked by	Date	Approved by	Date	Drawn Date
DIMENSIONS ARE IN MILLIMETERS, TOLERANCES ARE ±0.5 AND ANGLES ARE ±3°.	A3	J.D.	11/1/2008	B.R.	11/1/2008	C.W.	11/1/2008	5/28/2010
SMI-1324-TW-5V-3-R.idw				<b>SMI-1324-TW-5V-3-R</b>				
Indicator							Edition	Sheet
							-	1 / 1