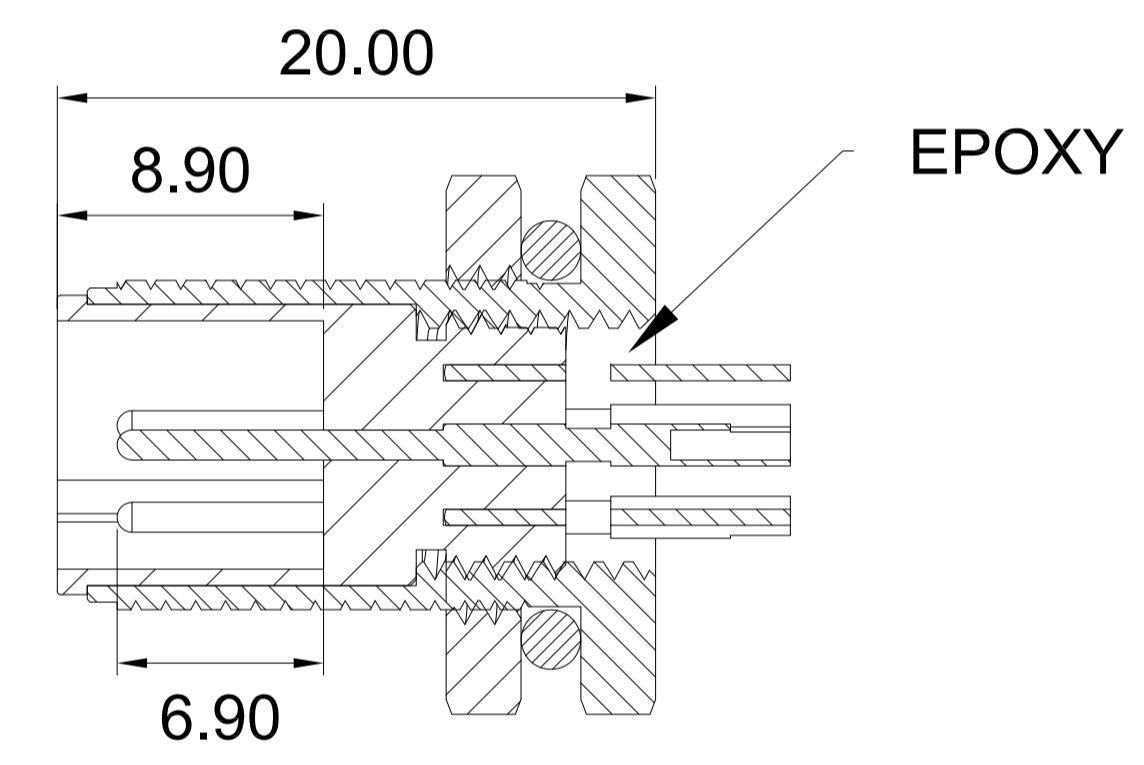
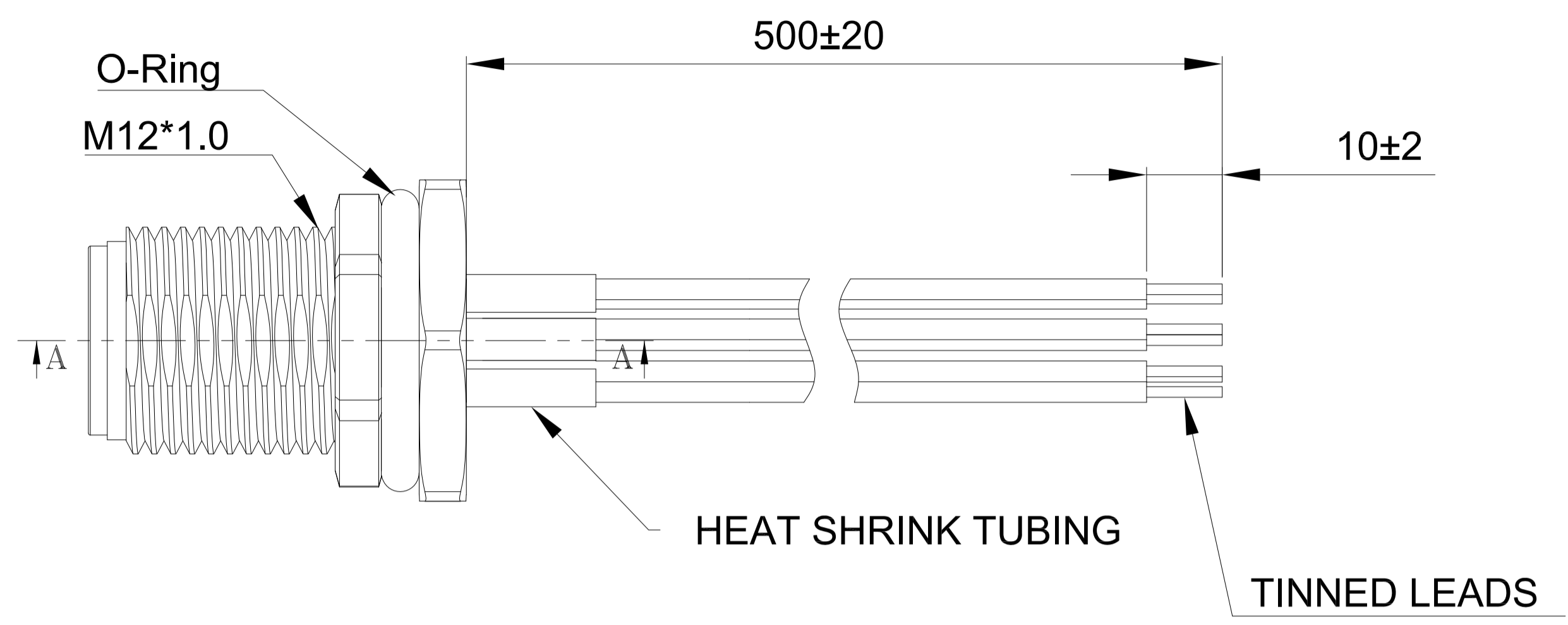
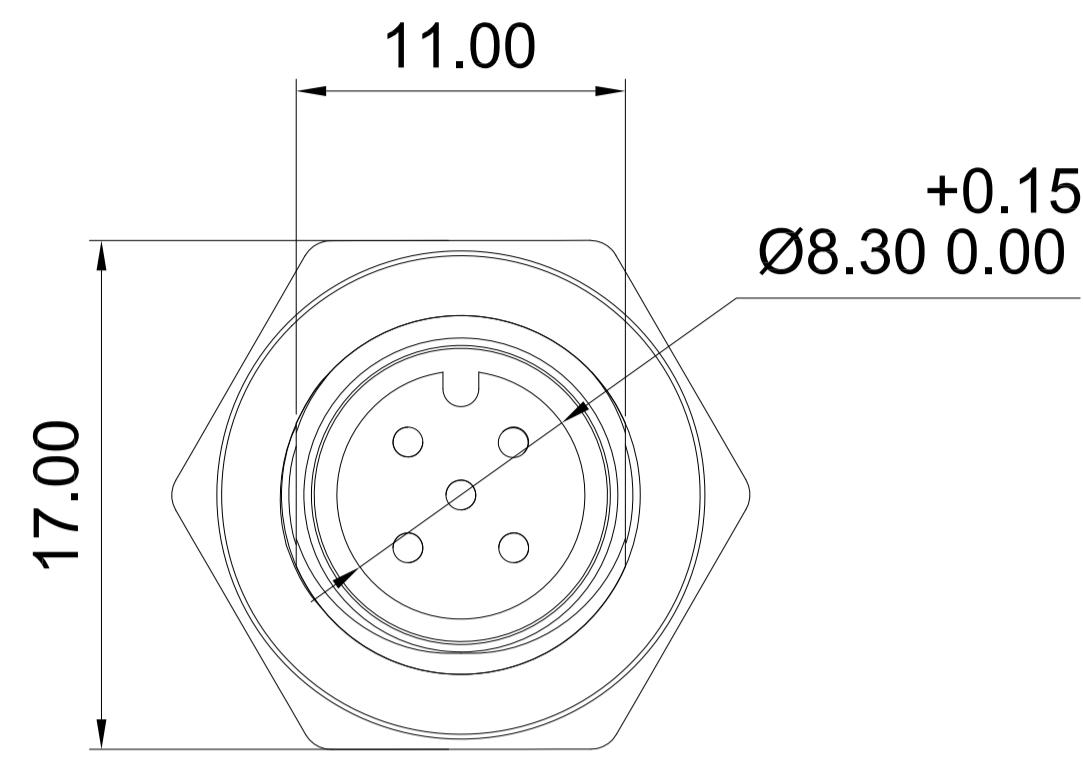
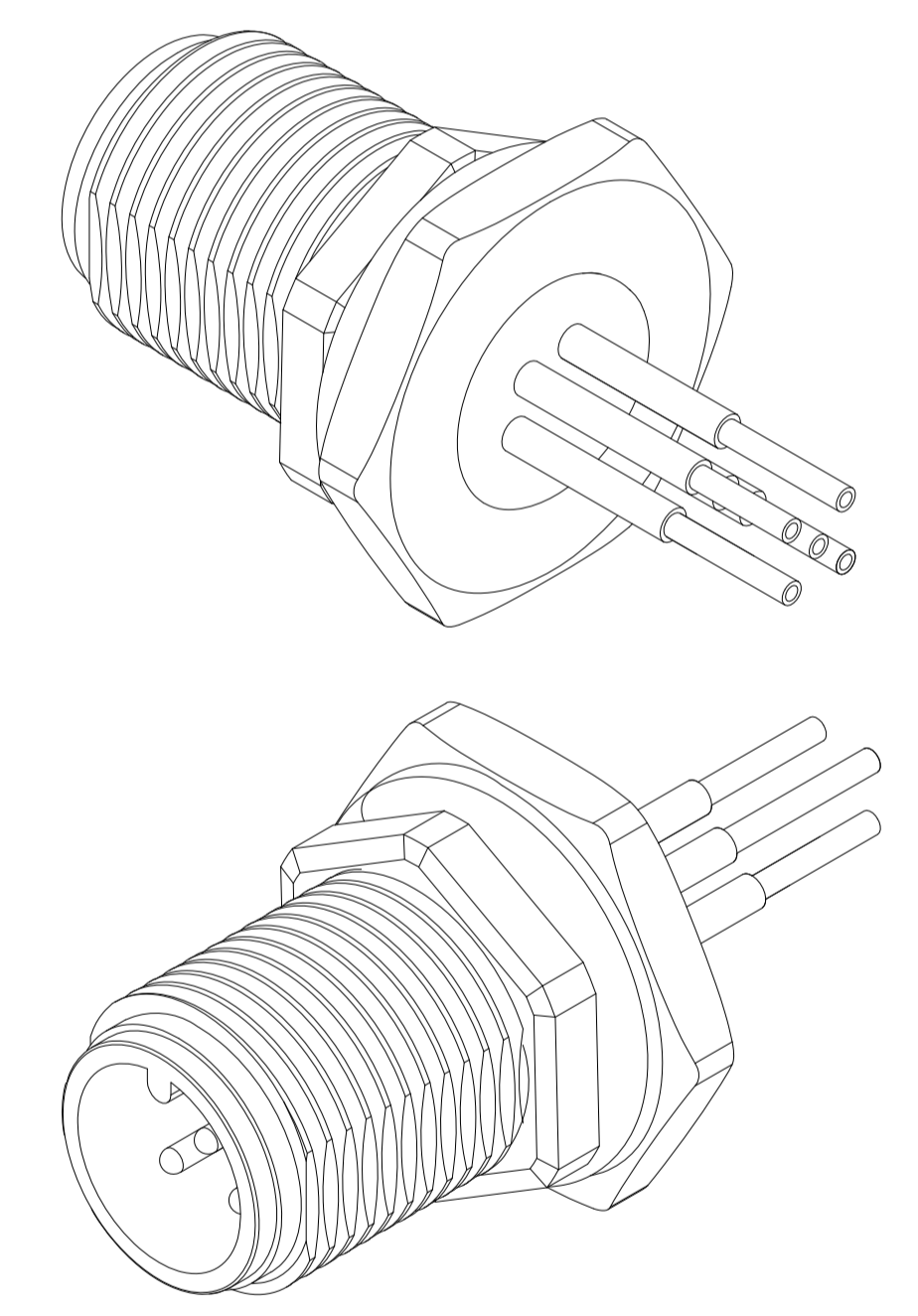


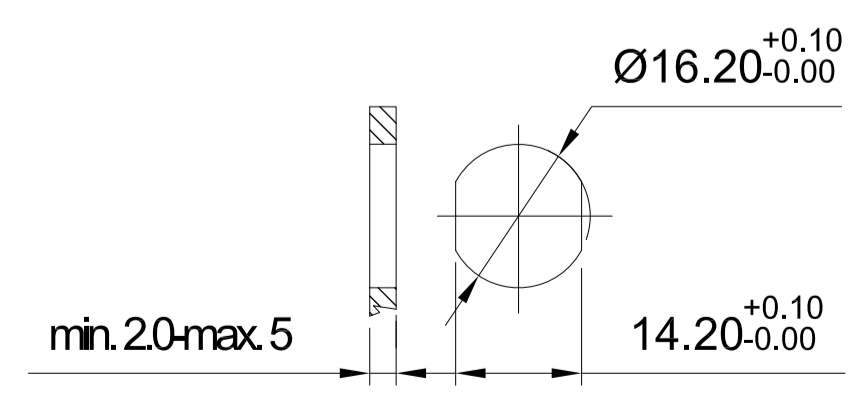
DATE	REV	REVISION CHANGES	ECN	APP'D. BY
09/19/18	A0	AS DRAWN	-	ADB



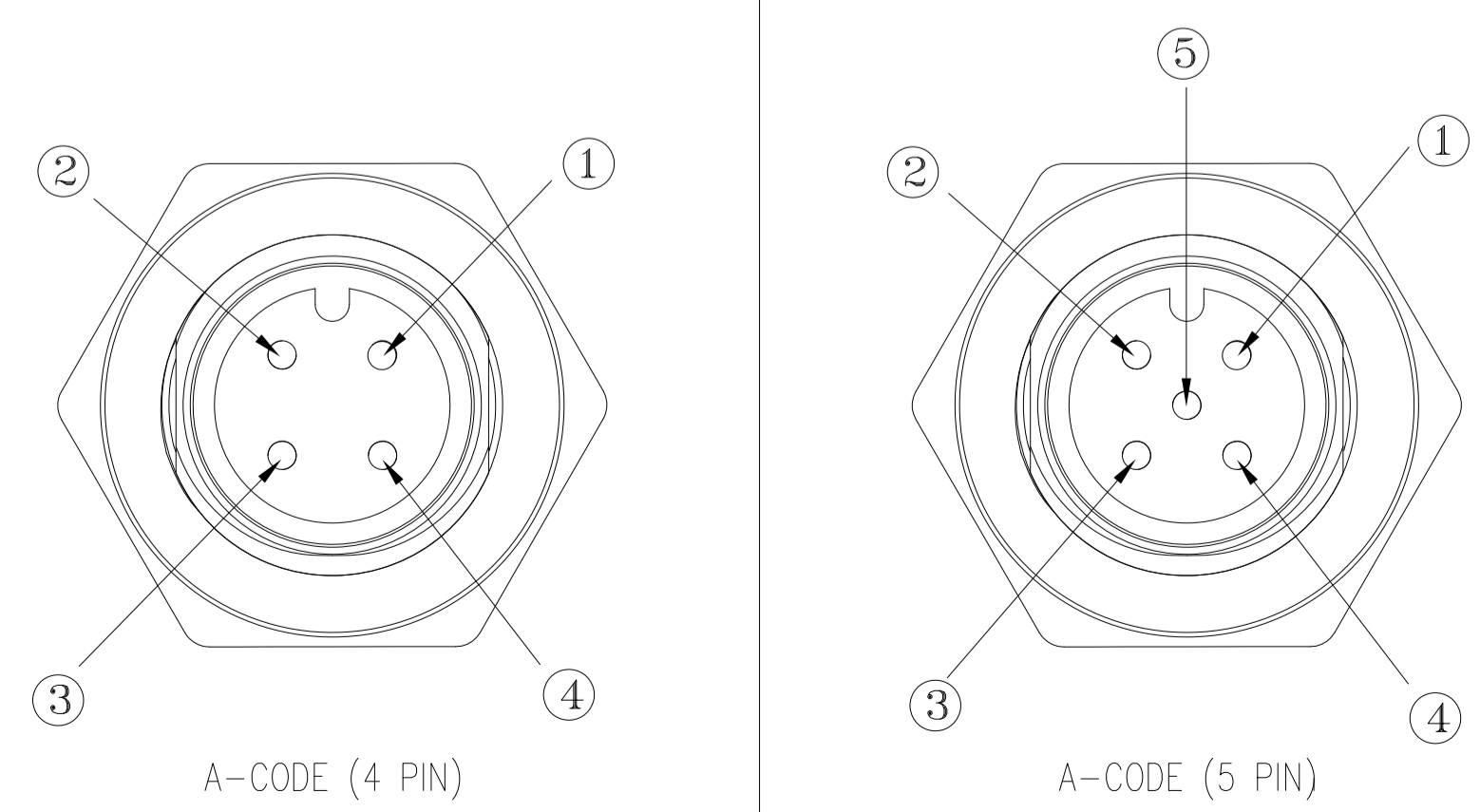
- NOTES:
- CONNECTOR MATERIALS:
HOUSING: THERMOPLASTIC UL94 V-0
CONTACTS/SHIELD: COPPER ALLOY
O-RING MATERIAL: SILICONE UL94 V-0
EPOXY POTTING COMPOUND IN REAR CAVITY
SHIELD PLATING: NICKEL
CONTACT PLATING: SELECTIVE GOLD (1 µIN) OR EQUIVALENT IN THE CONTACT AREA
 - FOR PRODUCT SPECIFICATIONS SEE PRO39-01
 - DIMENSIONS AND TOLERANCES COMPLY WITH IEC 61076-2-101 STANDARD.
 - THE SUGGESTED PANEL OPENING IS INTENDED TO GIVE USER THE ABILITY TO HAVE REASONABLE JACK/PANEL CLEARANCES
 - CODING: A-STANDARD
 - AWG22 WIRE LEADS ATTACHED PER WIRING DIAGRAM
 - CURRENT RATING: 4 AMPS MAX
 - VOLTAGE RATING: 250V AC/DC
 - DEGREE OF PROTECTION: IP67
 - TEMPERATURE RANGE: -20°C TO +85°C
 - MATING CYCLES: 100 INSERTIONS



WIRE LEADS NOT SHOWN AS ACTUAL LENGTH



RECOMMENDED PANEL CUT-OUT



WIRING DIAGRAM(22AWG)

- 1 ——— BROWN
- 2 ——— WHITE
- 3 ——— BLUE
- 4 ——— BLACK
- 5 ——— GREY

5	SS-12000-012
4	SS-12000-011
NUMBER OF CONTACTS	PART NUMBER

		11118 Susquehanna Trail South Glen Rock, PA 17327-9199 (717) 235-7512 http://www.stewartconnector.com	
		TITLE: REAR PANEL MOUNT RECEPTACLE WITH WIRE LEADS M12 A-CODE, MALE	DRN BY: BTS DATE: 08/28/18
DO NOT SCALE DRAWING DRAWING IS SUBJECT TO CHANGE WITHOUT NOTICE	DIMENSIONS: METRIC UNLESS OTHERWISE SPECIFIED TOLERANCES ARE ±0.13 (.005) ANGLES ARE ±1°	THIS DRAWING AND THE SUBJECT MATTER SHOWN THEREON ARE CONFIDENTIAL AND THE PROPRIETARY PROPERTY OF STEWART CONNECTOR AND SHALL NOT BE REPRODUCED, COPIED, OR USED IN ANY MANNER WITHOUT PRIOR WRITTEN CONSENT OF STEWART CONNECTOR. ONE OR MORE U.S. PATENTS MAY APPLY TO THIS PRODUCT. FOR DETAILS, PLEASE VISIT: HTTP://BELUSE.COM/STEWART/STEWART_PATENTS/	APP'D BY: ADB DATE: 09/19/18
SHEET NO. 1 OF 1	DWG NO. CT120006	REV. A0	