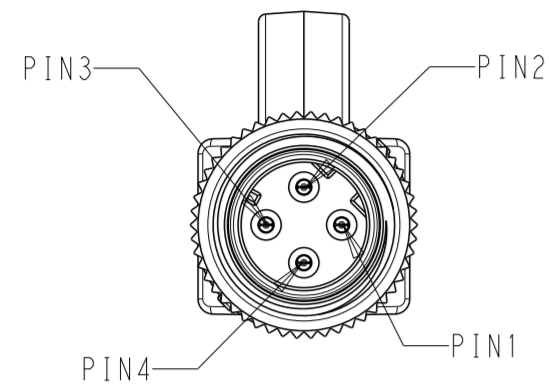
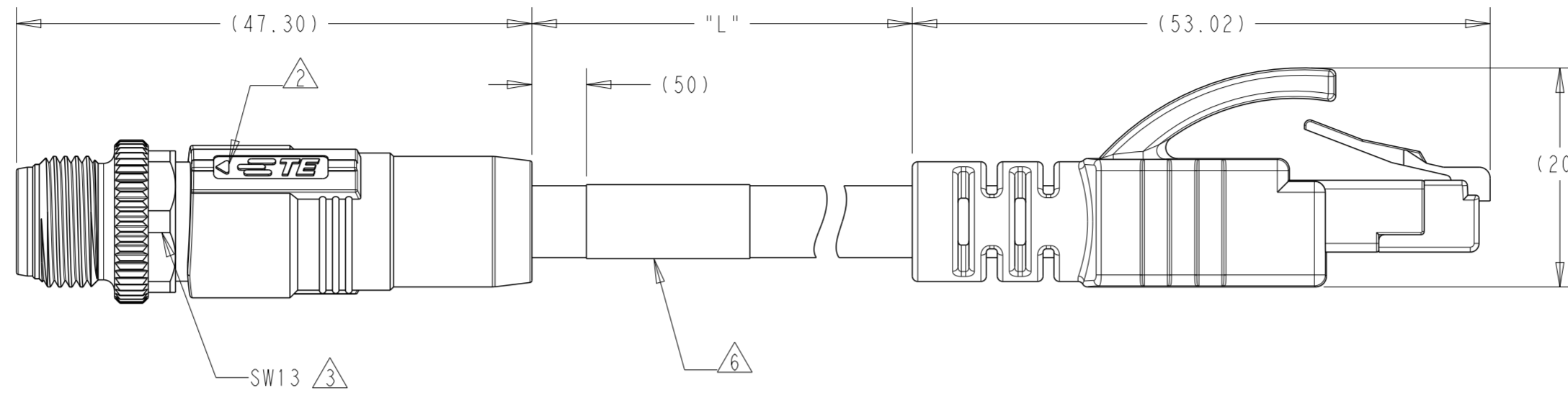


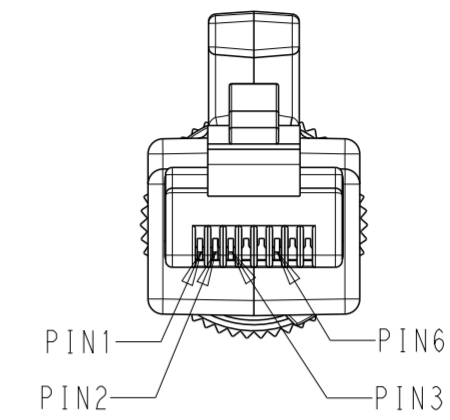
REVISIONS					
P	LTR	DESCRIPTION	DATE	DWN	APVD
A		INITIAL VERSION RELEASE	22SEP2020	F.Y	C.W
A1		PER ECR-21-001399	08FEB2021	F.Y	C.W
A2		PER ECR-22-152326 ADD RATED PARAMETERS	26SEP2022	F.Y	C.W



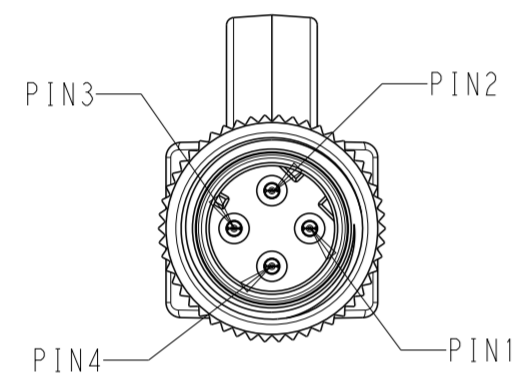
M12 D CODE, MALE PLUG



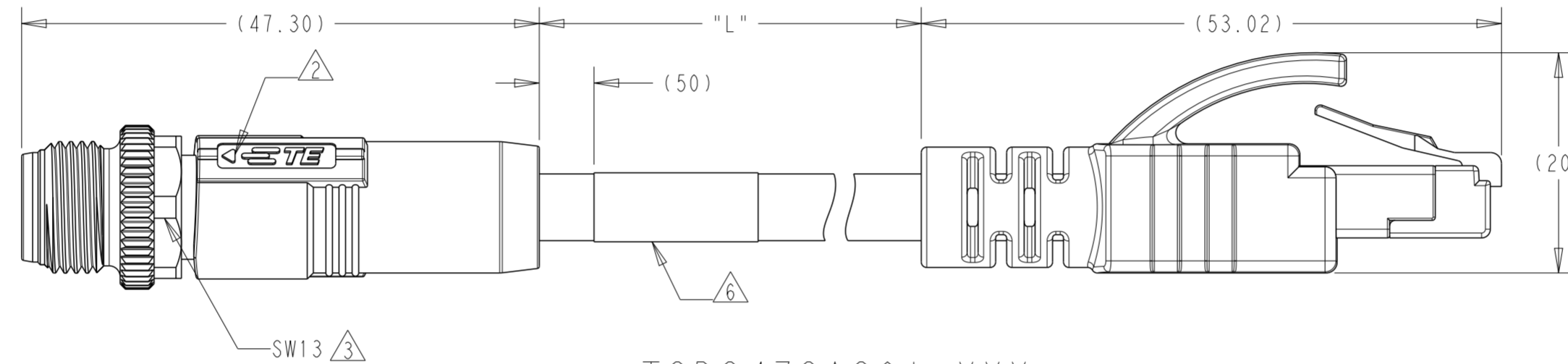
TCD1473A201-XXX



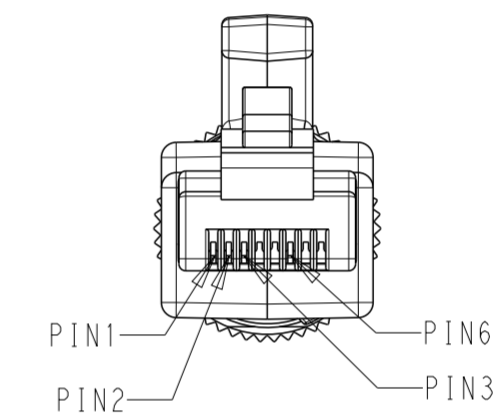
RJ45 PLUG



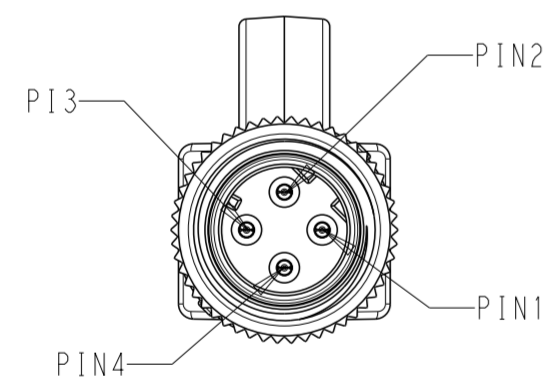
M12 D CODE, MALE PLUG



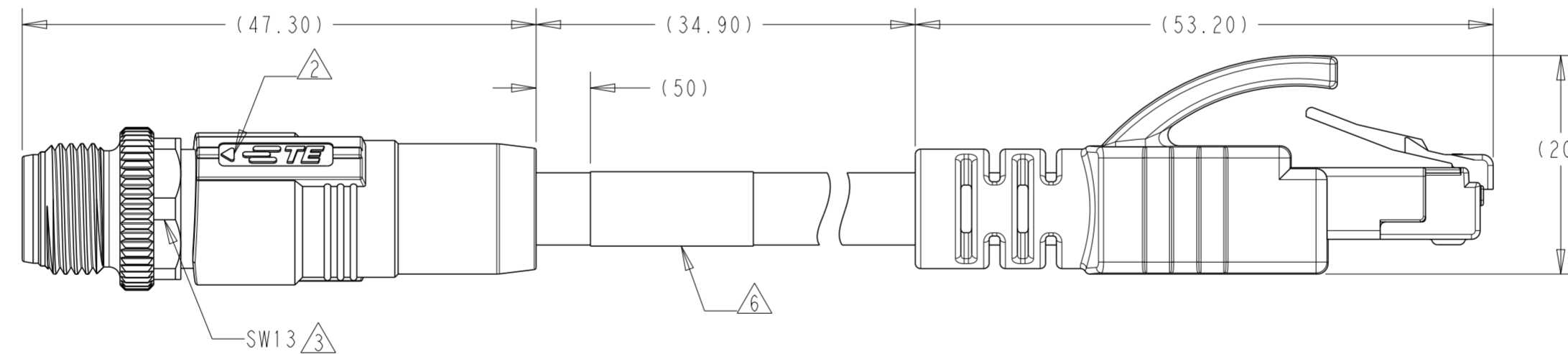
TCD2473A201-XXX



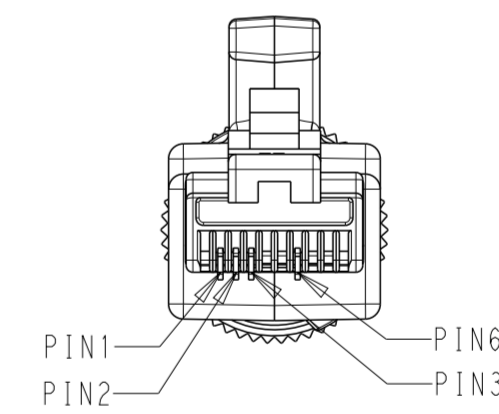
RJ45 PLUG



M12 D CODE, MALE PLUG



TCD14745101-XXX
TCD14741111-XXX



RJ45 PLUG

NOTE:

1. TECHNICAL DATA: SEE TABLE 1
 2. CODE POSITION INDICATOR.
 3. RECOMMENDED TORQUE 0.6NM
 4. -** : CABLE LENGTH, FOR EXAMPLE: -0.5M
 5. CABLE ASSEMBLY TO BE PACKAGED AS PACKAGING SPECIFICATION
6. LABEL CONTAINS: PN, DATE CODE...
7. -XXX: FOR CABLE LENGTH, SEE TABLE 2 AND REFER TO LENGTH "L"

注释:

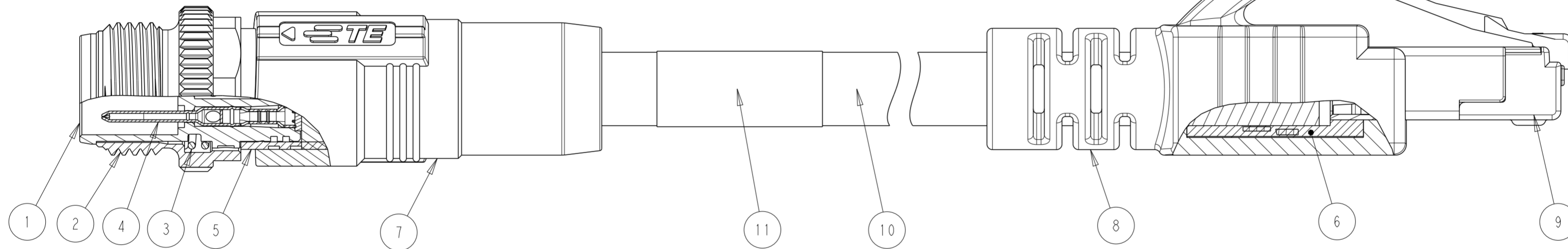
1. 技术参数: 参考表 1
 2. CODE位置指示
 3. 推荐扭力 0.6NM
 4. -** : 线缆长度 例如: -0.5M
 5. 线缆组件按照包装规范包装;
6. 标签包含: 产品编号, 日期代码...
7. -XXX: 线缆长度, 参考表2, 参照长度"L".

THIS DRAWING IS A CONTROLLED DOCUMENT.		DWN FENCER YU 22SEP2020	TE Connectivity	
DIMENSIONS: mm		CHK CHRIS WANG 22SEP2020		
TOLERANCES UNLESS OTHERWISE SPECIFIED:		APVD CHRIS WANG 22SEP2020	NAME M12 D CODE STRAIGHT PLUG 4P TO RJ45 STRAIGHT PLUG	
0 PLC ±		PRODUCT SPEC 108-137541	SIZE A2	
1 PLC ±		APPLICATION SPEC 114-137144	CAGE CODE 00779	
2 PLC ±		WEIGHT -	DRAWING NO C-TCDX47XXXX1XXX	
3 PLC ±		CUSTOMER DRAWING	RESTRICTED TO -	
4 PLC ±		SCALE 2:1	SHEET 1 OF 3	
ANGLES ±			REV A2	
FINISH				

P	LTR	DESCRIPTION	DATE	DWN	APVD
		SEE SHEET 1			

CABLE CHARACTERISTIC	LENGTH "L"	TYPE	TABLE 2 TE PN
INDUSTRIAL ETHERNET CAT5E UNSHIELDED TPE CABLE, TEAL: WIRES: 2PRX24AWG WIRE COLOR: PAIR1-WHITE/ORANGE PAIR2-WHITE/GREEN OD: APPROX. 6.10MM TEMPERATURE RATING: 80°C UL OPERATING TEMP RATING: -40°C To +80°C	LENGTH STANDARD: -001: 0.5M -002: 1.0M -003: 1.5M -004: 3.0M -005: 5.0M -006: 7.0M -007: 10.0M CUSTOMIZATION: -99X: 0.XM(<1M) (-993: 0.3M) -XXX: XX.XM(>1M) (-155: 15.5M) TOLERANCE: 0-1M: ±0.05M 1-3M: ±0.1M >3M: ±1.5%	M12D4-MS-RJ-TPE-24UNSH-TEAL-** ⚠	TCD2473A201-XXX ⚠
INDUSTRIAL ETHERNET CAT5E SHIELDED TPE CABLE, TEAL: WIRES: 2PRX24AWG WIRE COLOR: PAIR1-WHITE/ORANGE PAIR2-WHITE/GREEN OD: APPROX. 6.60MM TEMPERATURE RATING: 80°C UL OPERATING TEMP RATING: -40°C To +80°C		M12D4-MS-RJ-TPE-24SH-TEAL-** ⚠	TCD1473A201-XXX ⚠
INDUSTRIAL ETHERNET PROFINET TYPE B CAT5E SHIELDED PVC CABLE, GREEN: WIRES: 1X4X22AWG WIRE COLOR: WHITE/YELLOW/BLUE/ORANGE OD: APPROX. 6.5MM TEMPERATURE RATING: 80°C UL OPERATING TEMP RATING: -40°C To +80°C		M12D4-MS-RJ-PVC-22SH-TYPE B GREEN-** ⚠	TCD14741111-XXX ⚠
INDUSTRIAL ETHERNET PROFINET TYPE C CAT5E SHIELDED PUR CABLE, GREEN: WIRES: 1X4X22AWG WIRE COLOR: WHITE/YELLOW/BLUE/ORANGE OD: APPROX. 6.65MM TEMPERATURE RATING: 80°C UL OPERATING TEMP RATING: -30°C To +70°C		M12D4-MS-RJ-PUR-22SH-TYPE C GREEN-** ⚠	TCD14745101-XXX ⚠

NOTES 备注	MATERIAL 材质	DESCRIPTION 描述	ITEM 序号	TCD14745101-XXX	TCD14741111-XXX	TCD1473A201-XXX	TCD2473A201-XXX
		LABEL	11	1	1	1	1
	PUR/PVC/TPE	CABLE	10	1	1	1	1
	GOLD PLATED	RJ45 PLUG	9	1	1	1	1
	BLACK TPU/PVC	OUTER OVER MOLDING FOR RJ45 PLUG	8	1	1	1	1
	BLACK TPU/PVC	OUTER OVER-MOLDING FOR M12 D CODE	7	1	1	1	1
	PE	INNER OVER MOLDING FOR RJ45 PLUG	6	1	1	1	1
	NICKEL PLATED COPPER ALLOY	MALE STRAIGHT SHELL	5	1	1	1	-
	GOLD PLATED COPPER ALLOY	MALE CONTACT	4	4	4	4	4
	SUS	SPRING	3	1	1	1	1
	NICKEL PLATED COPPER ALLOY	M12, MALE NUT	2	1	1	1	1
	BLACK NYLON	M12, MALE HSG, D CODE, 4P	1	1	1	1	1



PIN ARRANGEMENT		
SHIELDED		UNSHIELDED
TCD14745101-XXX TCD14741111-XXX: USE PUR AND PVC SHIELDED CABLE	TCD1473A201-XXX USE TPE SHIELDED CABLE	TCD2473A201-XXX USE TPE UNSHIELDED CABLE

TABLE 1 TECHNICAL DATA	
RATED VOLTAGE	150V 30V(UL)
RATED CURRENT	1.5A 0.5A(UL)
POLLUTION DEGREE	3
OVERVOLTAGE CATEGORY	II
MATERIAL GROUP	II
INSULATION RESISTANCE	100MΩ
DEGREE OF PROTECTION(M12)	IP67
DEGREE OF PROTECTION(RJ45)	IP20
OPERATION TEMPERATURE	M12 D CODE: -40°C~85°C
	RJ45 PLUG: -25°C~60°C
	CABLE REFER TO TABLE 2

THIS DRAWING IS A CONTROLLED DOCUMENT.

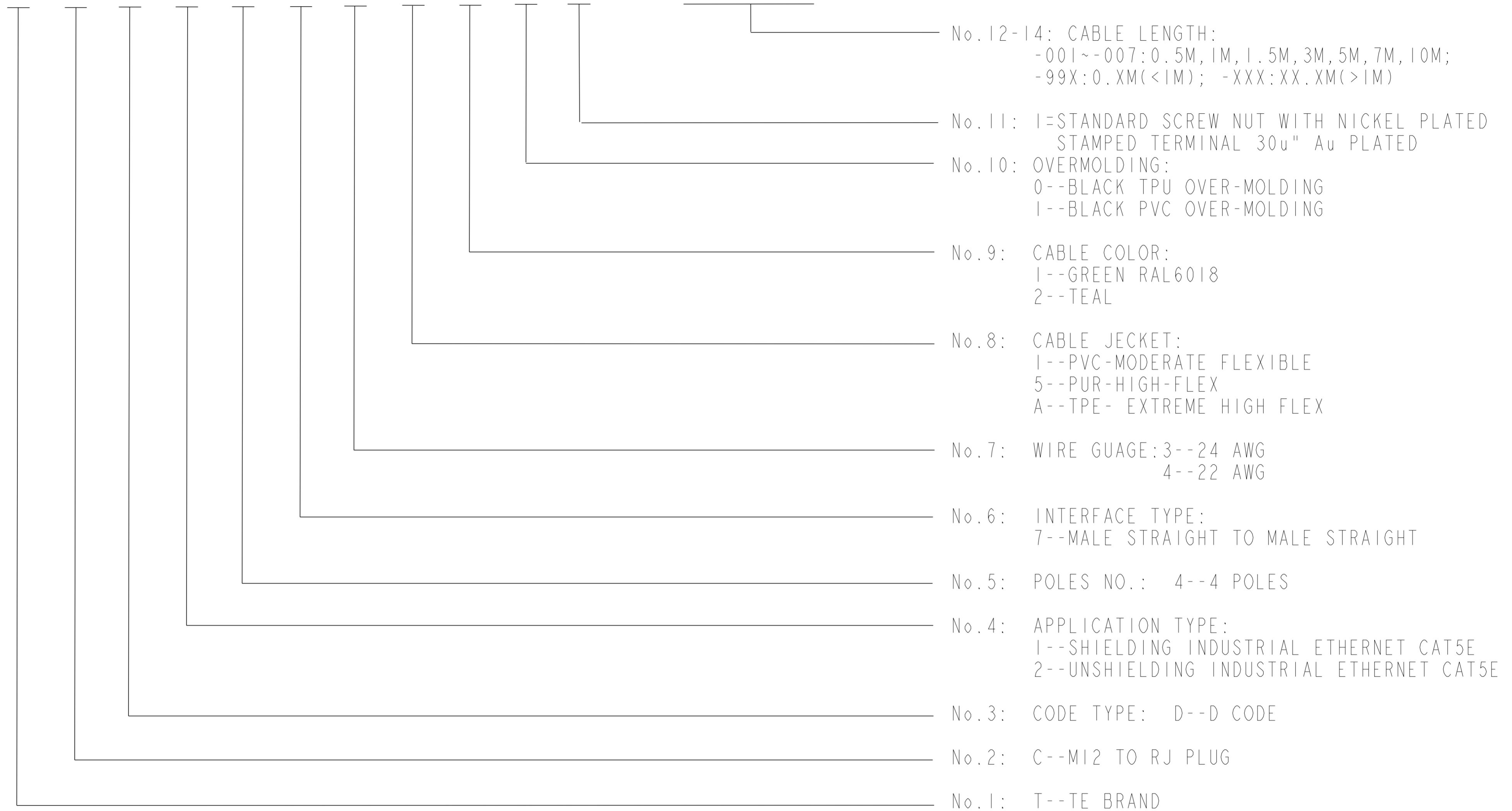
DIMENSIONS: mm	TOLERANCES UNLESS OTHERWISE SPECIFIED: 0 PLC ± 1 PLC ± 2 PLC ± 3 PLC ± 4 PLC ± ANGLES ± FINISH	DWN FENCER YU 22SEP2020 CHK CHRIS WANG 22SEP2020 APVD CHRIS WANG 22SEP2020	NAME M12 D CODE STRAIGHT PLUG 4P TO RJ45 STRAIGHT PLUG
MATERIAL		PRODUCT SPEC 108-137541 APPLICATION SPEC 114-137144	SIZE A2 CAGE CODE 00779 DRAWING NO. C-TCDX47XXXX1XXX
		WEIGHT	RESTRICTED TO
		CUSTOMER DRAWING	SCALE 2:1 SHEET 2 OF 3 REV A2

STE TE Connectivity


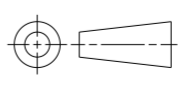
P	LTR	DESCRIPTION	DATE	DWN	APVD
		SEE SHEET 1			

PRODUCT CODE :

T C D X X X X X X X - X X X



- No. 12-14: CABLE LENGTH:
-001~-007: 0.5M, 1M, 1.5M, 3M, 5M, 7M, 10M;
-99X: 0.XM(<1M); -XXX: XX.XM(>1M)
- No. 11: 1=STANDARD SCREW NUT WITH NICKEL PLATED STAMPED TERMINAL 30u" Au PLATED
- No. 10: OVERMOLDING:
0--BLACK TPU OVER-MOLDING
1--BLACK PVC OVER-MOLDING
- No. 9: CABLE COLOR:
1--GREEN RAL6018
2--TEAL
- No. 8: CABLE JACKET:
1--PVC-MODERATE FLEXIBLE
5--PUR-HIGH-FLEX
A--TPE- EXTREME HIGH FLEX
- No. 7: WIRE GAUGE: 3--24 AWG
4--22 AWG
- No. 6: INTERFACE TYPE:
7--MALE STRAIGHT TO MALE STRAIGHT
- No. 5: POLES NO.: 4--4 POLES
- No. 4: APPLICATION TYPE:
1--SHIELDING INDUSTRIAL ETHERNET CAT5E
2--UNSHIELDING INDUSTRIAL ETHERNET CAT5E
- No. 3: CODE TYPE: D--D CODE
- No. 2: C--M12 TO RJ PLUG
- No. 1: T--TE BRAND

THIS DRAWING IS A CONTROLLED DOCUMENT.		DWN FENCER YU 22SEP2020	 TE Connectivity	
DIMENSIONS: mm		CHK CHRIS WANG 22SEP2020		
TOLERANCES UNLESS OTHERWISE SPECIFIED:		APVD CHRIS WANG 22SEP2020	NAME M12 D CODE STRAIGHT PLUG 4P TO RJ45 STRAIGHT PLUG	
		PRODUCT SPEC 108-137541	RESTRICTED TO	
MATERIAL		APPLICATION SPEC 114-137144	SIZE A2	CAGE CODE 00779
FINISH		WEIGHT	DRAWING NO C-TCDX47XXXX1XXX	SCALE 2:1
		CUSTOMER DRAWING	SHEET 3 OF 3	REV A2