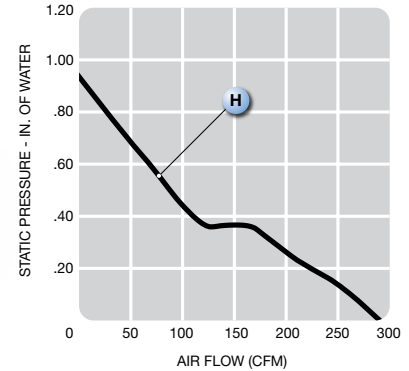
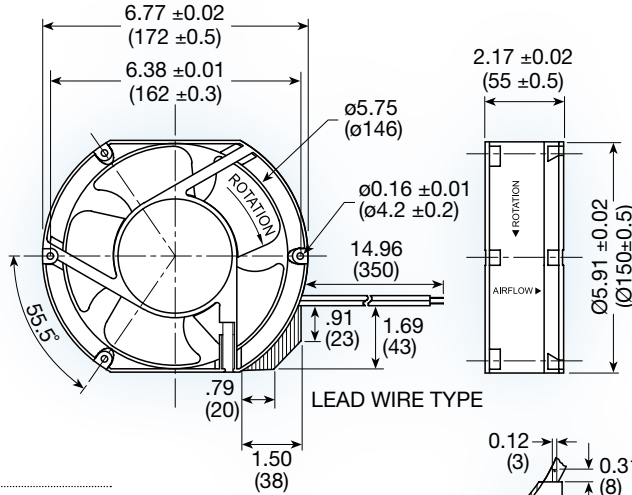
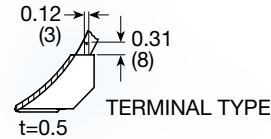


UF15KC series



(172 x 150 x 55 mm)
6.77 x 5.91 x 2.17 inches

- Operating voltage: 115 or 230 VAC
- Construction: aluminum die cast frame;
UL94V-0 PBT impeller
- Bearing option: ball bearing
- Motor: permanent split capacitor
- Air Flow: exhaust over struts
- Connection: terminal or 22 AWG lead wire
- Protection: thermal
- Option: dual voltage 115/130VAC; IP55;
IP55 + salt fog



Model No.	Rated Voltage V	Freq. HZ	Input Power W	Rated Cur. A	Locked Cur. A	Speed RPM	Air Volume		Max. Static Pressure (H ₂ O)		Sound Noise dbA	Weight kg
							M ³ /Min.	CFM	MM	INCH		
UF15KC12-__H	115	60	38	0.34	0.76	3,400	8.3	293	23	0.90	60	1.05
UF15KC23-__H	230	60	38	0.17	0.38	3,400	8.3	293	23	0.90	60	1.05

