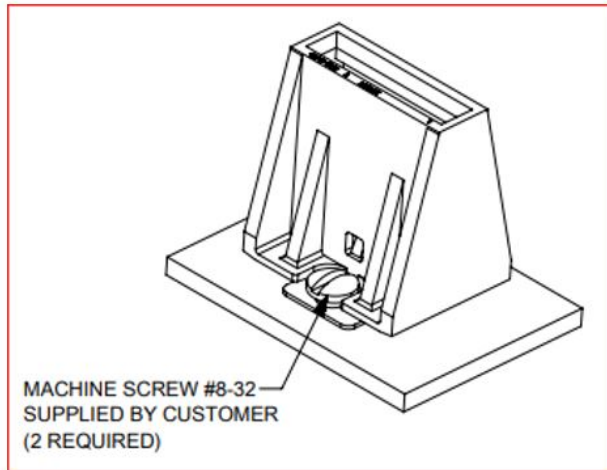


Date Issued :	July 06, 2022	PCN Number :	512337
Reason for Change :	Equipment Transfer, Production Transfer or Rearrangement		
Description of Change :	This notification is to inform about Production of the impacted part(s) in this PCN has been transferred to different location.		
Assessment of Change :	First Article Inspection		
Planned Implementation Date :	February 23, 2023		
Sample Availability Date:	December 31, 2022		
Internal Molex Qualification Date :	December 31, 2022		
Last date to request Samples by Customer :	October 15, 2022		
Traceability Code Markings / Date :	Factory order number		

Before Picture

Bus Bar Connector Product Transfer



Above Picture as illustration only

ED

After Picture

Overview

- As a valued customer, we want to notify that:
 - Molex will relocate the Bus Bar Connector (BBC) production from our Nogales, MEX and Little Rock, AR plants to our Singapore plant and its approved subcontractors.
 - As part of this relocation, raw materials and packaging materials sourcing shall be localized to maintain the shortest and most economical supply chain. No changes will be made to material and packaging specifications.

- Product Impact
 - P/N 457111000 - No impact to form, fit or function
 - P/N 457112000 – Environmental Barrier EB3 will change to EB4 to accommodate local standard manufacturing processes in Singapore
 - Manufacturing location will be identified on product ID label

- Molex P/Ns impacted:
 - 457111000 Gold plated and 457112000 Silver plated

- Qualification Reports and samples available upon request

RELEASED

You may address inquiries regarding this PCN by clicking on the below link
mailto:pcn_coordinator@molex.com?subject=PCN_Notification:512337
or contact your Local Sales Engineer.

Note: While responding, please retain " PCN Notification : **PCN Notification: 512337** " in the e-mail Subject line for faster response.

[Molex, LLC](#)
2222 Wellington Court
Lisle, IL 60532
TEL (800) 786-6539
www.molex.com

Part List

[0457111000](#)

[0457112000](#)