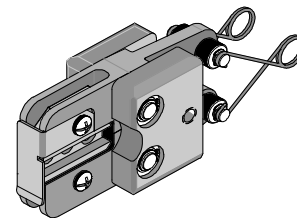


**Air Powered
Crimp Tool Head
Krimptite™ and
VersaKrimp™**

molex

**Application Tooling
Specification Sheet**



**Order No. 64007-0100
Engineering No. AT 1992**

FEATURES

- Quick-change tool head for the 19279-0001 (AT-200)
- Tooling kit is interchangeable with other kits in the 64001 and 64003 Series
- A precision user-friendly terminal locator wire stop holds terminals in the proper crimping position for each of the three nests
- 3-nested tool eliminates the need for additional tools
- Pneumatic powered crimp tools help reduce fatigue and discomfort from repetitive manual crimping

SCOPE

Products: Krimptite™ / VersaKrimp™ Terminals and Splices 10–22 AWG and 6.0mm² - 0.5mm². This tool head is intended for use in the 19279-0001 (AT-200) either hand held or with optional bench adapter 19078-0307 (ATBA) and foot switch.

Testing

The tensile test, or pull test, is a means of evaluating the mechanical properties of the crimped connections. The following chart shows the various specifications for different wire sizes and types. The **tensile** strength is shown in **lbs (newtons)** and indicates the minimum acceptable force to break or separate the terminal from the conductor.

| Wire Size | | Minimum Tensile Strength (lbs. (newtons)) | | | | |
|-----------|-----------------|---|-------------|--------------------|------------|------------|
| AWG | mm ² | *UL - 486 A | *UL - 486 C | **Military Class 2 | EN 60352-2 | EN 61238-1 |
| 22 | | 8 (36) | 8 (36) | 15 (67) | | |
| | 0,5 | | | | 14 (60) | 11 (50) |
| 20 | | 13 (58) | 10 (45) | 19 (85) | | |
| | 0,75 | | | | 19 (85) | 17 (74) |
| 18 | | 20 (89) | 10 (45) | 38 (169) | | |
| | 1,0 | | | | 24 (108) | 22 (99) |
| 16 | | 30 (134) | 15 (67) | 50 (223) | | |
| | 1,5 | | | | 34 (150) | 33 (149) |
| 14 | | 50 (223) | 25 (111) | 70 (312) | | |
| | 2,5 | | | | 52 (230) | 56 (248) |
| 12 | | 70 (312) | 35 (156) | 110 (490) | | |
| | 4,0 | | | | 70 (310) | 89 (397) |
| 10 | | 80 (356) | 40 (178) | 150 (668) | | |
| | 6,0 | | | | 81 (360) | 100 (446) |

*UL - 486 A - Terminals (Copper conductors)

*UL - 486 C - Butt Splices, Parallel Splices

**Military Class 2 - Military Approved Terminals

EN 60352 -2 - Telecom and signal cables

EN 61238 -1 - Power Cables

The following is a partial list of the product part numbers and their specifications that this tool is designed to run. We will be adding to this list and an up to date copy is available on www.molex.com

| Wire Size: 18 – 22 AWG 0.80 – 0.35 mm ² | | | |
|--|------------------------|-------------------|-------|
| Terminal No. | Terminal Eng No. (REF) | Wire Strip Length | |
| | | In | mm |
| 19022-0004 | AMCT-1 | 0.281 | 7.137 |
| 19033-0001 | A-159 | 0.281 | 7.137 |
| 19033-0003 | A-169 | 0.281 | 7.137 |
| 19041-0005 | A-142-10 | 0.281 | 7.137 |
| 19044-0034 | A-120-04 | 0.281 | 7.137 |
| 19044-0063 | A-120-02 | 0.281 | 7.137 |
| 19044-0066 | A-120-06 | 0.281 | 7.137 |
| 19044-0068 | A-121-06 | 0.281 | 7.137 |
| 19044-0069 | A-121-08 | 0.281 | 7.137 |
| 19044-0070 | A-121-08R90 | 0.281 | 7.137 |
| 19044-0072 | A-121-10 | 0.281 | 7.137 |
| 19044-0074 | A-122-10 | 0.281 | 7.137 |
| 19044-0075 | A-122-14 | 0.281 | 7.137 |
| 19044-0078 | A-126-10 | 0.281 | 7.137 |
| 19044-0079 | A-126-14 | 0.281 | 7.137 |
| 19044-0081 | A-126-38 | 0.281 | 7.137 |
| 19044-0082 | A-126-56 | 0.281 | 7.137 |
| 19044-0083 | A-132-04 | 0.281 | 7.137 |
| 19044-0084 | A-132-06 | 0.281 | 7.137 |
| 19044-0086 | A-132-08 | 0.281 | 7.137 |
| 19044-0090 | A-133-08 | 0.281 | 7.137 |
| 19044-0091 | A-133-10 | 0.281 | 7.137 |
| 19044-0213 | A-121-04 | 0.281 | 7.137 |
| 19056-0006 | A-320-02 | 0.281 | 7.137 |
| 19056-0008 | A-320-04 | 0.281 | 7.137 |
| 19056-0010 | A-320-06 | 0.281 | 7.137 |
| 19056-0013 | A-321-06 | 0.281 | 7.137 |
| 19056-0015 | A-321-08 | 0.281 | 7.137 |
| 19056-0018 | A-321-10 | 0.281 | 7.137 |
| 19056-0021 | A-322-10 | 0.281 | 7.137 |
| 19056-0023 | A-322-14 | 0.281 | 7.137 |
| 19056-0025 | A-322-56 | 0.281 | 7.137 |
| 19056-0027 | A-326-10 | 0.281 | 7.137 |
| 19056-0029 | A-326-14 | 0.281 | 7.137 |
| 19056-0031 | A-326-38 | 0.281 | 7.137 |
| 19056-0033 | A-326-56 | 0.281 | 7.137 |
| 19056-0035 | A-332-04 | 0.281 | 7.137 |
| 19056-0037 | A-332-06 | 0.281 | 7.137 |
| 19056-0039 | A-332-08 | 0.281 | 7.137 |
| 19056-0044 | A-333-10 | 0.281 | 7.137 |
| 19069-0024 | AA-1111-02 | 0.188 | 4.763 |
| 19069-0025 | AA-1111-04 | 0.188 | 4.763 |
| 19069-0027 | AA-120-02 | 0.188 | 4.763 |
| 19069-0029 | AA-120-04 | 0.188 | 4.763 |
| 19069-0031 | AA-120-06 | 0.188 | 4.763 |
| 19069-0033 | AA-121-06 | 0.188 | 4.763 |
| 19069-0035 | AA-121-08 | 0.188 | 4.763 |
| 19069-0037 | AA-121-10 | 0.188 | 4.763 |
| 19069-0040 | AA-122-10 | 0.188 | 4.763 |
| 19069-0042 | AA-122-14 | 0.188 | 4.763 |
| 19069-0043 | AA-122-14R90 | 0.188 | 4.763 |
| 19069-0045 | AA-122-56 | 0.188 | 4.763 |
| 19069-0047 | AA-126-10 | 0.188 | 4.763 |

| Wire Size: 18 – 22 AWG 0.80 – 0.35 mm ² | | | |
|--|------------------------|-------------------|-------|
| Terminal No. | Terminal Eng No. (REF) | Wire Strip Length | |
| | | In | mm |
| 19069-0048 | AA-126-14 | 0.188 | 4.763 |
| 19069-0049 | AA-126-38 | 0.188 | 4.763 |
| 19069-0051 | AA-126-56 | 0.188 | 4.763 |
| 19069-0052 | AA-132-04 | 0.188 | 4.763 |
| 19069-0054 | AA-132-06 | 0.188 | 4.763 |
| 19069-0056 | AA-132-08 | 0.188 | 4.763 |
| 19069-0061 | AA-133-10 | 0.188 | 4.763 |
| 19079-0004 | A-1006-MS | 0.281 | 7.137 |
| 19086-0020 | A-105-04 | 0.281 | 7.137 |
| 19086-0021 | A-105-06 | 0.281 | 7.137 |
| 19086-0023 | A-106-06 | 0.281 | 7.137 |
| 19086-0024 | A-106-08 | 0.281 | 7.137 |
| 19086-0025 | A-106-10 | 0.281 | 7.137 |
| 19086-0026 | A-114-04 | 0.281 | 7.137 |
| 19086-0027 | A-114-06 | 0.281 | 7.137 |
| 19086-0028 | A-114-08 | 0.281 | 7.137 |
| 19086-0029 | A-192-06 | 0.281 | 7.137 |
| 19086-0030 | A-192-08 | 0.281 | 7.137 |
| 19086-0031 | A-192-10 | 0.281 | 7.137 |
| 19086-0032 | A-195-06 | 0.281 | 7.137 |
| 19086-0033 | A-195-08 | 0.281 | 7.137 |
| 19086-0034 | A-195-10 | 0.281 | 7.137 |
| 19086-0035 | A-198-04 | 0.281 | 7.137 |
| 19086-0036 | A-198-06 | 0.281 | 7.137 |
| 19086-0037 | A-198-08 | 0.281 | 7.137 |
| 19086-0038 | A-198-10 | 0.281 | 7.137 |
| 19086-0110 | A-L80-08 | 0.296 | 7.518 |
| 19086-0112 | A-L81-06 | 0.296 | 7.518 |
| 19086-0114 | A-L83-05 | 0.296 | 7.518 |
| 19086-0116 | A-L84-06 | 0.296 | 7.518 |
| 19086-0117 | A-L85-04 | 0.296 | 7.518 |
| 19086-0118 | A-L86-04 | 0.296 | 7.518 |
| 19086-0151 | A-L82-08 | 0.296 | 7.518 |
| 19087-0029 | AA-105-04 | 0.188 | 4.763 |
| 19087-0037 | AA-1110-02 | 0.188 | 4.763 |
| 19087-0039 | AA-1110-04 | 0.188 | 4.763 |
| 19087-0041 | AA-114-04 | 0.188 | 4.763 |
| 19087-0043 | AA-114-06 | 0.188 | 4.763 |
| 19087-0045 | AA-114-08 | 0.188 | 4.763 |
| 19087-0054 | AA-192-06 | 0.188 | 4.763 |
| 19087-0056 | AA-192-08 | 0.188 | 4.763 |
| 19087-0058 | AA-192-10 | 0.188 | 4.763 |
| 19087-0060 | AA-195-06 | 0.188 | 4.763 |
| 19087-0062 | AA-195-08 | 0.188 | 4.763 |
| 19087-0064 | AA-195-10 | 0.188 | 4.763 |
| 19087-0066 | AA-198-04 | 0.188 | 4.763 |
| 19087-0068 | AA-198-06 | 0.188 | 4.763 |
| 19087-0070 | AA-198-08 | 0.188 | 4.763 |
| 19087-0072 | AA-198-10 | 0.188 | 4.763 |
| 19088-0001 | A-305-04 | 0.281 | 7.137 |
| 19088-0002 | A-305-06 | 0.281 | 7.137 |
| 19088-0004 | A-306-06 | 0.281 | 7.137 |
| 19088-0005 | A-306-08 | 0.281 | 7.137 |

| Wire Size: 18 – 22 AWG 0.80 – 0.35 mm ² | | | |
|--|------------------------|-------------------|-------|
| Terminal No. | Terminal Eng No. (REF) | Wire Strip Length | |
| | | In | mm |
| 19088-0006 | A-306-10 | 0.281 | 7.137 |
| 19088-0007 | A-314-04 | 0.281 | 7.137 |
| 19088-0008 | A-314-06 | 0.281 | 7.137 |
| 19088-0009 | A-314-08 | 0.281 | 7.137 |
| 19088-0010 | A-392-06 | 0.281 | 7.137 |
| 19088-0011 | A-392-08 | 0.281 | 7.137 |
| 19088-0012 | A-392-10 | 0.281 | 7.137 |
| 19088-0013 | A-395-06 | 0.281 | 7.137 |
| 19088-0014 | A-395-08 | 0.281 | 7.137 |
| 19088-0015 | A-395-10 | 0.281 | 7.137 |
| 19088-0016 | A-398-04 | 0.281 | 7.137 |
| 19088-0017 | A-398-06 | 0.281 | 7.137 |
| 19088-0018 | A-398-08 | 0.281 | 7.137 |
| 19088-0019 | A-398-10 | 0.281 | 7.137 |
| 19089-0031 | AA-105-06 | 0.188 | 4.763 |
| 19093-0001 | AA-305-04 | 0.188 | 4.763 |
| 19093-0003 | AA-305-06 | 0.188 | 4.763 |
| 19093-0009 | AA-3110-02 | 0.188 | 4.763 |
| 19093-0011 | AA-3110-04 | 0.188 | 4.763 |
| 19093-0013 | AA-314-04 | 0.188 | 4.763 |
| 19093-0015 | AA-314-06 | 0.188 | 4.763 |
| 19093-0017 | AA-314-08 | 0.188 | 4.763 |
| 19093-0019 | AA-392-06 | 0.188 | 4.763 |
| 19093-0021 | AA-392-08 | 0.188 | 4.763 |
| 19093-0023 | AA-392-10 | 0.188 | 4.763 |
| 19093-0025 | AA-395-06 | 0.188 | 4.763 |
| 19093-0027 | AA-395-08 | 0.188 | 4.763 |
| 19093-0029 | AA-395-10 | 0.188 | 4.763 |
| 19093-0031 | AA-398-04 | 0.188 | 4.763 |
| 19093-0033 | AA-398-06 | 0.188 | 4.763 |
| 19093-0035 | AA-398-08 | 0.188 | 4.763 |
| 19093-0037 | AA-398-10 | 0.188 | 4.763 |
| 19098-0011 | AA-1190-06 | 0.188 | 4.763 |
| 19098-0013 | AA-1191-08 | 0.188 | 4.763 |
| 19098-0015 | AA-1192-10 | 0.188 | 4.763 |
| 19098-0017 | AA-1704-05 | 0.188 | 4.763 |
| 19098-0018 | AA-1704-06 | 0.188 | 4.763 |
| 19098-0021 | AA-1705-08 | 0.188 | 4.763 |
| 19098-0022 | AA-1706-10 | 0.188 | 4.763 |
| 19098-0023 | AA-1714-08 | 0.188 | 4.763 |
| 19098-0024 | AA-1715-10 | 0.188 | 4.763 |
| 19098-0097 | AA-1704-04 | 0.188 | 4.763 |
| 19117-0015 | A-115-04 | 0.281 | 7.137 |
| 19117-0016 | A-115-06 | 0.281 | 7.137 |
| 19117-0018 | A-115-08 | 0.281 | 7.137 |
| 19117-0020 | A-115-10 | 0.281 | 7.137 |
| 19117-0023 | A-190-06 | 0.281 | 7.137 |
| 19117-0024 | A-190-08 | 0.281 | 7.137 |
| 19117-0025 | A-190-10 | 0.281 | 7.137 |
| 19117-0026 | A-193-06 | 0.281 | 7.137 |
| 19117-0027 | A-193-08 | 0.281 | 7.137 |
| 19117-0028 | A-193-10 | 0.281 | 7.137 |
| 19117-0029 | A-196-04 | 0.281 | 7.137 |
| 19117-0030 | A-196-06 | 0.281 | 7.137 |
| 19117-0031 | A-196-08 | 0.281 | 7.137 |
| 19118-0018 | AA-1108-02 | 0.188 | 4.763 |
| 19118-0019 | AA-1108-04 | 0.188 | 4.763 |

| Wire Size: 18 – 22 AWG 0.80 – 0.35 mm ² | | | |
|--|------------------------|-------------------|-------|
| Terminal No. | Terminal Eng No. (REF) | Wire Strip Length | |
| | | In | mm |
| 19118-0020 | AA-115-04 | 0.188 | 4.763 |
| 19118-0021 | AA-115-06 | 0.188 | 4.763 |
| 19118-0023 | AA-115-08 | 0.188 | 4.763 |
| 19118-0025 | AA-115-10 | 0.188 | 4.763 |
| 19118-0026 | AA-1461-04 | 0.188 | 4.763 |
| 19118-0027 | AA-1461-06 | 0.188 | 4.763 |
| 19118-0028 | AA-1461-08 | 0.188 | 4.763 |
| 19118-0029 | AA-1461-10 | 0.188 | 4.763 |
| 19118-0030 | AA-190-06 | 0.188 | 4.763 |
| 19118-0031 | AA-190-08 | 0.188 | 4.763 |
| 19118-0032 | AA-190-10 | 0.188 | 4.763 |
| 19118-0033 | AA-193-06 | 0.188 | 4.763 |
| 19118-0034 | AA-193-08 | 0.188 | 4.763 |
| 19118-0035 | AA-193-10 | 0.188 | 4.763 |
| 19118-0037 | AA-196-04 | 0.188 | 4.763 |
| 19118-0038 | AA-196-06 | 0.188 | 4.763 |
| 19118-0039 | AA-196-08 | 0.188 | 4.763 |
| 19123-0003 | A-315-04 | 0.281 | 7.137 |
| 19123-0004 | A-315-06 | 0.281 | 7.137 |
| 19123-0005 | A-315-08 | 0.281 | 7.137 |
| 19123-0006 | A-3461-04 | 0.281 | 7.137 |
| 19123-0007 | A-3461-06 | 0.281 | 7.137 |
| 19123-0008 | A-3461-08 | 0.281 | 7.137 |
| 19123-0009 | A-3461-10 | 0.281 | 7.137 |
| 19123-0010 | A-390-06 | 0.281 | 7.137 |
| 19123-0011 | A-390-08 | 0.281 | 7.137 |
| 19123-0012 | A-390-10 | 0.281 | 7.137 |
| 19123-0013 | A-393-06 | 0.281 | 7.137 |
| 19123-0014 | A-393-08 | 0.281 | 7.137 |
| 19123-0015 | A-393-10 | 0.281 | 7.137 |
| 19123-0016 | A-396-04 | 0.281 | 7.137 |
| 19123-0017 | A-396-06 | 0.281 | 7.137 |
| 19123-0018 | A-396-08 | 0.281 | 7.137 |
| 19124-0001 | AA-3108-02 | 0.188 | 4.763 |
| 19124-0003 | AA-3108-04 | 0.188 | 4.763 |
| 19124-0005 | AA-315-04 | 0.188 | 4.763 |
| 19124-0007 | AA-315-06 | 0.188 | 4.763 |
| 19124-0009 | AA-315-08 | 0.188 | 4.763 |
| 19124-0011 | AA-3461-04 | 0.188 | 4.763 |
| 19124-0012 | AA-3461-06 | 0.188 | 4.763 |
| 19124-0013 | AA-3461-08 | 0.188 | 4.763 |
| 19124-0014 | AA-3461-10 | 0.188 | 4.763 |
| 19124-0015 | AA-390-06 | 0.188 | 4.763 |
| 19124-0017 | AA-390-08 | 0.188 | 4.763 |
| 19124-0019 | AA-390-10 | 0.188 | 4.763 |
| 19124-0021 | AA-393-06 | 0.188 | 4.763 |
| 19124-0023 | AA-393-08 | 0.188 | 4.763 |
| 19124-0025 | AA-393-10 | 0.188 | 4.763 |
| 19124-0027 | AA-396-04 | 0.188 | 4.763 |
| 19124-0029 | AA-396-06 | 0.188 | 4.763 |
| 19124-0031 | AA-396-08 | 0.188 | 4.763 |
| 19124-0074 | AA-315-10 | 0.188 | 4.763 |
| 19128-0004 | A-1118-06 | 0.281 | 7.137 |
| 19128-0006 | A-1118-08 | 0.281 | 7.137 |
| 19128-0008 | A-1461-04 | 0.281 | 7.137 |
| 19128-0010 | A-1461-06 | 0.281 | 7.137 |
| 19128-0012 | A-1461-08 | 0.281 | 7.137 |

| Wire Size: 18 – 22 AWG 0.80 – 0.35 mm ² | | | |
|--|------------------------|-------------------|-------|
| Terminal No. | Terminal Eng No. (REF) | Wire Strip Length | |
| | | In | mm |
| 19128-0013 | A-1461-10 | 0.281 | 7.137 |
| 19128-0035 | A-191-06 | 0.281 | 7.137 |
| 19128-0036 | A-191-08 | 0.281 | 7.137 |
| 19128-0037 | A-191-10 | 0.281 | 7.137 |
| 19128-0038 | A-194-06 | 0.281 | 7.137 |
| 19128-0039 | A-194-08 | 0.281 | 7.137 |
| 19128-0040 | A-194-10 | 0.281 | 7.137 |
| 19128-0041 | A-197-04 | 0.281 | 7.137 |
| 19128-0042 | A-197-06 | 0.281 | 7.137 |
| 19128-0043 | A-197-08 | 0.281 | 7.137 |
| 19129-0023 | AA-197-08 | 0.188 | 4.763 |
| 19129-0025 | AA-197-06 | 0.188 | 4.763 |
| 19129-0027 | AA-197-04 | 0.188 | 4.763 |
| 19129-0029 | AA-191-10 | 0.188 | 4.763 |
| 19129-0031 | AA-191-08 | 0.188 | 4.763 |
| 19129-0033 | AA-191-06 | 0.188 | 4.763 |
| 19129-0035 | AA-194-10 | 0.188 | 4.763 |
| 19129-0036 | AA-194-08 | 0.188 | 4.763 |
| 19129-0037 | AA-194-06 | 0.188 | 4.763 |
| 19129-0039 | AA-138-06 | 0.188 | 4.763 |
| 19129-0041 | AA-138-04 | 0.188 | 4.763 |
| 19129-0043 | AA-134-10 | 0.188 | 4.763 |
| 19129-0045 | AA-134-08 | 0.188 | 4.763 |
| 19129-0047 | AA-134-06 | 0.188 | 4.763 |
| 19129-0048 | AA-134-04 | 0.188 | 4.763 |
| 19129-0049 | AA-1118-08 | 0.188 | 4.763 |
| 19129-0051 | AA-1118-06 | 0.188 | 4.763 |
| 19129-0053 | AA-1109-04 | 0.188 | 4.763 |
| 19129-0055 | AA-1109-02 | 0.188 | 4.763 |
| 19134-0002 | A-3118-06 | 0.281 | 7.137 |
| 19134-0003 | A-3118-08 | 0.281 | 7.137 |
| 19134-0004 | A-334-04 | 0.281 | 7.137 |
| 19134-0005 | A-334-06 | 0.281 | 7.137 |
| 19134-0006 | A-334-08 | 0.281 | 7.137 |
| 19134-0007 | A-334-10 | 0.281 | 7.137 |
| 19134-0008 | A-335-06 | 0.281 | 7.137 |
| 19134-0009 | A-335-08 | 0.281 | 7.137 |
| 19134-0010 | A-335-10 | 0.281 | 7.137 |
| 19135-0001 | AA-3109-02 | 0.188 | 4.763 |
| 19135-0002 | AA-3109-04 | 0.188 | 4.763 |
| 19140-0030 | A-134-04 | 0.281 | 7.137 |
| 19140-0031 | A-134-06 | 0.281 | 7.137 |
| 19140-0033 | A-134-08 | 0.281 | 7.137 |
| 19140-0034 | A-134-10 | 0.281 | 7.137 |
| 19140-0035 | A-135-06 | 0.281 | 7.137 |
| 19140-0036 | A-135-08 | 0.281 | 7.137 |
| 19140-0037 | A-135-10 | 0.281 | 7.137 |
| 19140-0038 | A-138-04 | 0.281 | 7.137 |
| 19140-0040 | A-138-06 | 0.281 | 7.137 |
| 19141-0020 | AA-135-06 | 0.188 | 4.763 |
| 19141-0022 | AA-135-08 | 0.188 | 4.763 |
| 19141-0024 | AA-135-10 | 0.188 | 4.763 |
| 19146-0004 | A-338-04 | 0.281 | 7.137 |
| 19146-0005 | A-338-06 | 0.281 | 7.137 |
| 19146-0007 | A-391-06 | 0.281 | 7.137 |
| 19146-0008 | A-391-08 | 0.281 | 7.137 |
| 19146-0009 | A-391-10 | 0.281 | 7.137 |

| Wire Size: 18 – 22 AWG 0.80 – 0.35 mm ² | | | |
|--|------------------------|-------------------|-------|
| Terminal No. | Terminal Eng No. (REF) | Wire Strip Length | |
| | | In | mm |
| 19146-0010 | A-394-06 | 0.281 | 7.137 |
| 19146-0011 | A-394-08 | 0.281 | 7.137 |
| 19146-0012 | A-394-10 | 0.281 | 7.137 |
| 19146-0013 | A-397-04 | 0.281 | 7.137 |
| 19146-0014 | A-397-06 | 0.281 | 7.137 |
| 19146-0015 | A-397-08 | 0.281 | 7.137 |
| 19147-0002 | AA-3118-06 | 0.188 | 4.763 |
| 19147-0003 | AA-3118-08 | 0.188 | 4.763 |
| 19147-0004 | AA-334-04 | 0.188 | 4.763 |
| 19147-0006 | AA-334-06 | 0.188 | 4.763 |
| 19147-0008 | AA-334-08 | 0.188 | 4.763 |
| 19147-0010 | AA-334-10 | 0.188 | 4.763 |
| 19147-0011 | AA-335-06 | 0.188 | 4.763 |
| 19147-0013 | AA-335-08 | 0.188 | 4.763 |
| 19147-0015 | AA-335-10 | 0.188 | 4.763 |
| 19147-0017 | AA-338-04 | 0.188 | 4.763 |
| 19147-0019 | AA-338-06 | 0.188 | 4.763 |
| 19147-0022 | AA-391-06 | 0.188 | 4.763 |
| 19147-0024 | AA-391-08 | 0.188 | 4.763 |
| 19147-0026 | AA-391-10 | 0.188 | 4.763 |
| 19147-0028 | AA-394-06 | 0.188 | 4.763 |
| 19147-0030 | AA-394-08 | 0.188 | 4.763 |
| 19147-0032 | AA-394-10 | 0.188 | 4.763 |
| 19147-0034 | AA-397-04 | 0.188 | 4.763 |
| 19147-0036 | AA-397-06 | 0.188 | 4.763 |
| 19147-0038 | AA-397-08 | 0.188 | 4.763 |
| 19170-0001 | A-110-06 | 0.281 | 7.137 |
| 19170-0003 | A-110-08 | 0.281 | 7.137 |
| 19170-0005 | A-110-10 | 0.281 | 7.137 |
| 19172-0001 | A-310-06 | 0.281 | 7.137 |
| 19172-0003 | A-310-08 | 0.281 | 7.137 |
| 19172-0005 | A-310-10 | 0.281 | 7.137 |
| 19178-0002 | AA-110-06 | 0.188 | 4.763 |
| 19178-0004 | AA-110-08 | 0.188 | 4.763 |
| 19178-0006 | AA-110-10 | 0.188 | 4.763 |
| 19180-0002 | AA-310-06 | 0.188 | 4.763 |
| 19180-0003 | AA-310-08 | 0.188 | 4.763 |
| 19180-0005 | AA-310-10 | 0.188 | 4.763 |
| 19189-0002 | A-145 | 0.234 | 5.944 |
| 19189-0003 | A-145-B | 0.234 | 5.944 |
| 19189-0005 | A-L145 | 0.281 | 7.137 |
| 19193-0007 | AA-320-04 | 0.188 | 4.763 |
| 19193-0009 | AA-320-06 | 0.188 | 4.763 |
| 19193-0012 | AA-321-06 | 0.188 | 4.763 |
| 19193-0014 | AA-321-08 | 0.188 | 4.763 |
| 19193-0016 | AA-321-10 | 0.188 | 4.763 |
| 19193-0019 | AA-322-10 | 0.188 | 4.763 |
| 19193-0021 | AA-322-14 | 0.188 | 4.763 |
| 19193-0023 | AA-322-56 | 0.188 | 4.763 |
| 19193-0025 | AA-326-10 | 0.188 | 4.763 |
| 19193-0026 | AA-326-14 | 0.188 | 4.763 |
| 19193-0028 | AA-326-38 | 0.188 | 4.763 |
| 19193-0030 | AA-326-56 | 0.188 | 4.763 |
| 19193-0032 | AA-332-04 | 0.188 | 4.763 |
| 19193-0034 | AA-332-06 | 0.188 | 4.763 |
| 19193-0036 | AA-332-08 | 0.188 | 4.763 |
| 19193-0041 | AA-333-10 | 0.188 | 4.763 |

| Wire Size: 18 – 22 AWG 0.80 – 0.35 mm ² | | | |
|--|------------------------|-------------------|-------|
| Terminal No. | Terminal Eng No. (REF) | Wire Strip Length | |
| | | In | mm |
| 19193-0044 | AA-T-320-06 | 0.188 | 4.763 |
| 19193-0049 | AA-T-332-06 | 0.188 | 4.763 |
| 19193-0394 | AA-3111-02 | 0.188 | 4.763 |
| 19193-0396 | AA-3111-04 | 0.188 | 4.763 |
| 19193-0398 | AA-320-02 | 0.188 | 4.763 |
| 19193-0448 | AA-T-322-14 | 0.188 | 4.763 |
| 19193-0613 | AA-T-333-10 | 0.188 | 4.763 |
| 19203-0008 | A-S-132-04 | 0.281 | 7.137 |
| 19203-0015 | A-S-133-10 | 0.281 | 7.137 |
| 19203-0144 | A-S-122-14 | 0.281 | 7.137 |
| 19203-0145 | A-S-132-06 | 0.281 | 7.137 |
| 19203-0146 | A-S-132-08 | 0.281 | 7.137 |
| 19203-0164 | A-S-145 | 0.250 | 6.350 |
| 19203-0165 | A-T-302 | 0.250 | 6.350 |
| 19203-0166 | A-T-345 | 0.281 | 7.137 |
| 19203-0204 | AA-U-132-06 | 0.188 | 4.763 |
| 19203-0205 | AA-U-132-08 | 0.188 | 4.763 |
| 19203-0206 | AA-U-133-10 | 0.188 | 4.763 |
| 19203-0221 | AA-T-320-04 | 0.188 | 4.763 |
| 19203-0222 | AA-T-322-56 | 0.188 | 4.763 |
| 19203-0226 | A-S-120-06 | 0.281 | 7.137 |
| 19203-0229 | A-S-122-56 | 0.281 | 7.137 |
| 19203-0301 | A-S-126-38 | 0.281 | 7.137 |
| 19203-0387 | A-S-133-10 | 0.281 | 7.137 |
| 19203-0483 | A-S-132-06 | 0.281 | 7.137 |
| 19203-0485 | A-S-132-08 | 0.281 | 7.137 |
| 19203-0486 | A-S-133-14 | 0.281 | 7.137 |
| 19203-0487 | A-S-122-56 | 0.281 | 7.137 |
| 19204-0001 | A-1XC | 0.281 | 7.137 |
| 19204-0002 | A-1YC | 0.281 | 7.137 |
| 19204-0005 | A-3YC | 0.281 | 7.137 |
| 19204-0006 | A-3XC | 0.281 | 7.137 |
| 19207-0001 | AS-302 | 0.281 | 7.137 |
| 19211-0003 | WP-1614 | 0.188 | 4.763 |
| 19215-0009 | AS-345 | 0.281 | 7.137 |

| METRIC RING TERMINALS | | | |
|-------------------------------------|------------------------|-------------------|-------|
| Wire Size: 1.0 - 0.5mm ² | | | |
| Terminal No. | Terminal Eng No. (REF) | Wire Strip Length | |
| | | In | mm |
| 193230001 | AA1-332-M2,5 | 0.188 | 4.763 |
| 193230002 | AA1-332-M3 | 0.188 | 4.763 |
| 193230003 | AA1-332-M3,5 | 0.188 | 4.763 |
| 193230004 | AA1-321-M4 | 0.188 | 4.763 |
| 193230005 | AA1-322-M5 | 0.188 | 4.763 |

| Wire Size: 14 – 16 AWG 2.00 – 1.30 mm ² | | | |
|--|------------------------|-------------------|-------|
| Terminal No. | Terminal Eng No. (REF) | Wire Strip Length | |
| | | In | mm |
| 19033-0005 | B-179 | 0.188 | 4.763 |
| 19033-0007 | B-189 | 0.188 | 4.763 |
| 19044-0028 | B-137-04 | 0.281 | 7.137 |
| 19044-0030 | B-137-06 | 0.281 | 7.137 |
| 19044-0031 | B-137-08 | 0.281 | 7.137 |
| 19044-0032 | B-137-10 | 0.281 | 7.137 |
| 19044-0033 | B-139-04 | 0.281 | 7.137 |
| 19044-0035 | B-139-06 | 0.281 | 7.137 |

| Wire Size: 14 – 16 AWG 2.00 – 1.30 mm ² | | | |
|--|------------------------|-------------------|-------|
| Terminal No. | Terminal Eng No. (REF) | Wire Strip Length | |
| | | In | mm |
| 19044-0037 | B-139-08 | 0.281 | 7.137 |
| 19044-0039 | B-139-10 | 0.281 | 7.137 |
| 19044-0137 | B-101-12HD | 0.281 | 7.137 |
| 19044-0139 | B-101-14HD | 0.281 | 7.137 |
| 19044-0140 | B-101-38HD | 0.281 | 7.137 |
| 19044-0141 | B-101-56HD | 0.281 | 7.137 |
| 19044-0142 | B-101-76HD | 0.281 | 7.137 |
| 19044-0143 | B-118-10 | 0.281 | 7.137 |
| 19044-0144 | B-118-14 | 0.281 | 7.137 |
| 19044-0146 | B-118-38 | 0.281 | 7.137 |
| 19044-0148 | B-118-56 | 0.281 | 7.137 |
| 19044-0149 | B-123-02 | 0.281 | 7.137 |
| 19044-0150 | B-123-04 | 0.281 | 7.137 |
| 19044-0152 | B-123-06 | 0.281 | 7.137 |
| 19044-0154 | B-123-08 | 0.281 | 7.137 |
| 19044-0156 | B-125-10 | 0.281 | 7.137 |
| 19044-0158 | B-125-14 | 0.281 | 7.137 |
| 19044-0160 | B-125-56 | 0.281 | 7.137 |
| 19056-0053 | B-318-10 | 0.281 | 7.137 |
| 19056-0055 | B-318-14 | 0.281 | 7.137 |
| 19056-0057 | B-318-38 | 0.281 | 7.137 |
| 19056-0059 | B-318-56 | 0.281 | 7.137 |
| 19056-0061 | B-323-02 | 0.281 | 7.137 |
| 19056-0063 | B-323-04 | 0.281 | 7.137 |
| 19056-0065 | B-323-06 | 0.281 | 7.137 |
| 19056-0068 | B-323-08 | 0.281 | 7.137 |
| 19056-0070 | B-325-10 | 0.281 | 7.137 |
| 19056-0072 | B-325-14 | 0.281 | 7.137 |
| 19056-0075 | B-325-56 | 0.281 | 7.137 |
| 19056-0102 | B-337-04 | 0.281 | 7.137 |
| 19056-0104 | B-337-06 | 0.281 | 7.137 |
| 19056-0106 | B-337-08 | 0.281 | 7.137 |
| 19056-0109 | B-337-10 | 0.281 | 7.137 |
| 19056-0112 | B-339-04 | 0.281 | 7.137 |
| 19056-0114 | B-339-06 | 0.281 | 7.137 |
| 19056-0116 | B-339-08 | 0.281 | 7.137 |
| 19056-0118 | B-339-10 | 0.281 | 7.137 |
| 19056-0141 | B-323-06R90 | 0.281 | 7.137 |
| 19069-0091 | BB-118-10 | 0.188 | 4.763 |
| 19069-0092 | BB-118-14 | 0.188 | 4.763 |
| 19069-0093 | BB-118-38 | 0.188 | 4.763 |
| 19069-0096 | BB-118-56 | 0.188 | 4.763 |
| 19069-0098 | BB-123-02 | 0.188 | 4.763 |
| 19069-0099 | BB-123-04 | 0.188 | 4.763 |
| 19069-0101 | BB-123-06 | 0.188 | 4.763 |
| 19069-0103 | BB-123-08 | 0.188 | 4.763 |
| 19069-0105 | BB-125-10 | 0.188 | 4.763 |
| 19069-0107 | BB-125-14 | 0.188 | 4.763 |
| 19069-0109 | BB-125-56 | 0.188 | 4.763 |
| 19069-0111 | BB-137-04 | 0.188 | 4.763 |
| 19069-0112 | BB-137-06 | 0.188 | 4.763 |
| 19069-0114 | BB-137-08 | 0.188 | 4.763 |
| 19069-0116 | BB-137-10 | 0.188 | 4.763 |
| 19069-0119 | BB-139-04 | 0.188 | 4.763 |
| 19069-0120 | BB-139-06 | 0.188 | 4.763 |
| 19069-0121 | BB-139-08 | 0.188 | 4.763 |
| 19069-0123 | BB-139-10 | 0.188 | 4.763 |

| Wire Size: 14 – 16 AWG 2.00 – 1.30 mm ² | | | |
|--|------------------------|-------------------|-------|
| Terminal No. | Terminal Eng No. (REF) | Wire Strip Length | |
| | | In | mm |
| 19079-0007 | B-1006-MS | 0.281 | 7.137 |
| 19086-0065 | B-108-04 | 0.281 | 7.137 |
| 19086-0066 | B-108-06 | 0.281 | 7.137 |
| 19086-0068 | B-108-08 | 0.281 | 7.137 |
| 19086-0070 | B-109-06 | 0.281 | 7.137 |
| 19086-0071 | B-109-08 | 0.281 | 7.137 |
| 19086-0072 | B-109-10 | 0.281 | 7.137 |
| 19086-0073 | B-113-04 | 0.281 | 7.137 |
| 19086-0073 | BB-113-04 | 0.188 | 4.763 |
| 19086-0074 | B-113-06 | 0.281 | 7.137 |
| 19086-0074 | BB-113-06 | 0.188 | 4.763 |
| 19086-0075 | B-113-08 | 0.281 | 7.137 |
| 19086-0075 | BB-113-08 | 0.188 | 4.763 |
| 19086-0076 | B-182-06 | 0.281 | 7.137 |
| 19086-0077 | B-182-08 | 0.281 | 7.137 |
| 19086-0078 | B-182-10 | 0.281 | 7.137 |
| 19086-0079 | B-185-06 | 0.281 | 7.137 |
| 19086-0080 | B-186-08 | 0.281 | 7.137 |
| 19086-0081 | B-185-10 | 0.281 | 7.137 |
| 19086-0082 | B-188-04 | 0.281 | 7.137 |
| 19086-0083 | B-188-06 | 0.281 | 7.137 |
| 19086-0084 | B-188-08 | 0.281 | 7.137 |
| 19086-0144 | B-L80-08 | 0.296 | 7.518 |
| 19086-0145 | B-L81-06 | 0.296 | 7.518 |
| 19086-0146 | B-L82-08 | 0.296 | 7.518 |
| 19086-0147 | B-L83-05 | 0.296 | 7.518 |
| 19086-0148 | B-L84-06 | 0.296 | 7.518 |
| 19086-0149 | B-L85-04 | 0.296 | 7.518 |
| 19086-0150 | B-L86-04 | 0.296 | 7.518 |
| 19087-0104 | BB-182-06 | 0.188 | 4.763 |
| 19087-0106 | BB-182-08 | 0.188 | 4.763 |
| 19087-0108 | BB-182-10 | 0.188 | 4.763 |
| 19087-0113 | BB-185-06 | 0.188 | 4.763 |
| 19087-0115 | BB-185-08 | 0.188 | 4.763 |
| 19087-0117 | BB-185-10 | 0.188 | 4.763 |
| 19087-0122 | BB-188-04 | 0.188 | 4.763 |
| 19087-0124 | BB-188-06 | 0.188 | 4.763 |
| 19087-0126 | BB-188-08 | 0.188 | 4.763 |
| 19087-0128 | BB-188-10 | 0.188 | 4.763 |
| 19088-0020 | B-308-04 | 0.281 | 7.137 |
| 19088-0021 | B-308-06 | 0.281 | 7.137 |
| 19088-0024 | B-309-06 | 0.281 | 7.137 |
| 19088-0025 | B-309-08 | 0.281 | 7.137 |
| 19088-0026 | B-309-10 | 0.281 | 7.137 |
| 19088-0027 | B-313-04 | 0.281 | 7.137 |
| 19088-0028 | B-313-06 | 0.281 | 7.137 |
| 19088-0029 | B-313-08 | 0.281 | 7.137 |
| 19088-0034 | B-382-06 | 0.281 | 7.137 |
| 19088-0035 | B-382-08 | 0.281 | 7.137 |
| 19088-0036 | B-382-10 | 0.281 | 7.137 |
| 19088-0037 | B-385-06 | 0.281 | 7.137 |
| 19088-0038 | B-385-08 | 0.281 | 7.137 |
| 19088-0039 | B-385-10 | 0.281 | 7.137 |
| 19088-0040 | B-388-04 | 0.281 | 7.137 |
| 19088-0041 | B-388-06 | 0.281 | 7.137 |
| 19088-0042 | B-388-08 | 0.281 | 7.137 |
| 19088-0043 | B-388-10 | 0.281 | 7.137 |

| Wire Size: 14 – 16 AWG 2.00 – 1.30 mm ² | | | |
|--|------------------------|-------------------|-------|
| Terminal No. | Terminal Eng No. (REF) | Wire Strip Length | |
| | | In | mm |
| 19093-0039 | BB-313-04 | 0.188 | 4.763 |
| 19093-0041 | BB-313-06 | 0.188 | 4.763 |
| 19093-0043 | BB-313-08 | 0.188 | 4.763 |
| 19093-0045 | BB-382-06 | 0.188 | 4.763 |
| 19093-0047 | BB-382-08 | 0.188 | 4.763 |
| 19093-0049 | BB-382-10 | 0.188 | 4.763 |
| 19093-0051 | BB-385-06 | 0.188 | 4.763 |
| 19093-0053 | BB-385-08 | 0.188 | 4.763 |
| 19093-0055 | BB-385-10 | 0.188 | 4.763 |
| 19093-0057 | BB-388-04 | 0.188 | 4.763 |
| 19093-0059 | BB-388-06 | 0.188 | 4.763 |
| 19093-0061 | BB-388-08 | 0.188 | 4.763 |
| 19093-0063 | BB-388-10 | 0.188 | 4.763 |
| 19098-0034 | BB-1193-06 | 0.188 | 4.763 |
| 19098-0036 | BB-1194-08 | 0.188 | 4.763 |
| 19098-0038 | BB-1195-10 | 0.188 | 4.763 |
| 19098-0041 | BB-1707-05 | 0.188 | 4.763 |
| 19098-0043 | BB-1707-06 | 0.188 | 4.763 |
| 19098-0047 | BB-1716-08 | 0.188 | 4.763 |
| 19098-0049 | BB-1717-10 | 0.188 | 4.763 |
| 19117-0048 | B-116-04 | 0.281 | 7.137 |
| 19117-0048 | BB-116-04 | 0.188 | 4.763 |
| 19117-0052 | B-116-10 | 0.281 | 7.137 |
| 19117-0052 | BB-116-10 | 0.188 | 4.763 |
| 19117-0058 | B-1491-06 | 0.281 | 7.137 |
| 19117-0059 | B-1491-08 | 0.281 | 7.137 |
| 19117-0060 | B-1491-10 | 0.281 | 7.137 |
| 19117-0061 | B-180-06 | 0.281 | 7.137 |
| 19117-0062 | B-180-08 | 0.281 | 7.137 |
| 19117-0063 | B-180-10 | 0.281 | 7.137 |
| 19117-0064 | B-183-06 | 0.281 | 7.137 |
| 19117-0065 | B-183-08 | 0.281 | 7.137 |
| 19117-0066 | B-183-10 | 0.281 | 7.137 |
| 19117-0068 | B-186-04 | 0.281 | 7.137 |
| 19117-0069 | B-186-06 | 0.281 | 7.137 |
| 19117-0070 | B-186-08 | 0.281 | 7.137 |
| 19117-0083 | B-116-06 | 0.281 | 7.137 |
| 19117-0083 | BB-116-06 | 0.188 | 4.763 |
| 19117-0084 | B-116-08 | 0.281 | 7.137 |
| 19117-0084 | BB-116-08 | 0.188 | 4.763 |
| 19118-0060 | BB-1491-06 | 0.188 | 4.763 |
| 19118-0061 | BB-1491-08 | 0.188 | 4.763 |
| 19118-0062 | BB-1491-10 | 0.188 | 4.763 |
| 19118-0063 | BB-180-06 | 0.188 | 4.763 |
| 19118-0064 | BB-180-08 | 0.188 | 4.763 |
| 19118-0065 | BB-180-10 | 0.188 | 4.763 |
| 19118-0066 | BB-183-06 | 0.188 | 4.763 |
| 19118-0067 | BB-183-08 | 0.188 | 4.763 |
| 19118-0068 | BB-183-10 | 0.188 | 4.763 |
| 19118-0070 | BB-186-04 | 0.188 | 4.763 |
| 19118-0071 | BB-186-06 | 0.188 | 4.763 |
| 19118-0072 | BB-186-08 | 0.188 | 4.763 |
| 19123-0019 | B-316-04 | 0.281 | 7.137 |
| 19123-0020 | B-316-06 | 0.281 | 7.137 |
| 19123-0021 | B-316-08 | 0.281 | 7.137 |
| 19123-0022 | B-316-10 | 0.281 | 7.137 |
| 19123-0027 | B-3491-06 | 0.281 | 7.137 |

| Wire Size: 14 – 16 AWG 2.00 – 1.30 mm ² | | | |
|--|------------------------|-------------------|-------|
| Terminal No. | Terminal Eng No. (REF) | Wire Strip Length | |
| | | In | mm |
| 19123-0028 | B-3491-08 | 0.281 | 7.137 |
| 19123-0029 | B-3491-10 | 0.281 | 7.137 |
| 19123-0030 | B-380-06 | 0.281 | 7.137 |
| 19123-0031 | B-380-08 | 0.281 | 7.137 |
| 19123-0032 | B-380-10 | 0.281 | 7.137 |
| 19123-0033 | B-383-06 | 0.281 | 7.137 |
| 19123-0034 | B-383-08 | 0.281 | 7.137 |
| 19123-0035 | B-383-10 | 0.281 | 7.137 |
| 19123-0036 | B-386-04 | 0.281 | 7.137 |
| 19123-0037 | B-386-06 | 0.281 | 7.137 |
| 19123-0038 | B-386-08 | 0.281 | 7.137 |
| 19124-0033 | BB-316-04 | 0.188 | 4.763 |
| 19124-0035 | BB-316-06 | 0.188 | 4.763 |
| 19124-0037 | BB-316-08 | 0.188 | 4.763 |
| 19124-0040 | BB-3491-06 | 0.188 | 4.763 |
| 19124-0041 | BB-3491-08 | 0.188 | 4.763 |
| 19124-0042 | BB-3491-10 | 0.188 | 4.763 |
| 19124-0043 | BB-380-06 | 0.188 | 4.763 |
| 19124-0045 | BB-380-08 | 0.188 | 4.763 |
| 19124-0047 | BB-380-10 | 0.188 | 4.763 |
| 19124-0049 | BB-383-06 | 0.188 | 4.763 |
| 19124-0051 | BB-383-08 | 0.188 | 4.763 |
| 19124-0053 | BB-383-10 | 0.188 | 4.763 |
| 19124-0055 | BB-386-04 | 0.188 | 4.763 |
| 19124-0057 | BB-386-06 | 0.188 | 4.763 |
| 19124-0059 | BB-386-08 | 0.188 | 4.763 |
| 19124-0075 | BB-316-10 | 0.188 | 4.763 |
| 19128-0014 | B-1471-04 | 0.281 | 7.137 |
| 19128-0016 | B-1471-06 | 0.281 | 7.137 |
| 19128-0021 | B-1781-06 | 0.281 | 7.137 |
| 19128-0023 | B-1781-08 | 0.281 | 7.137 |
| 19128-0025 | B-1781-10 | 0.281 | 7.137 |
| 19128-0026 | B-181-06 | 0.281 | 7.137 |
| 19128-0027 | B-181-08 | 0.281 | 7.137 |
| 19128-0028 | B-181-10 | 0.281 | 7.137 |
| 19128-0029 | B-184-06 | 0.281 | 7.137 |
| 19128-0030 | B-184-08 | 0.281 | 7.137 |
| 19128-0031 | B-184-10 | 0.281 | 7.137 |
| 19128-0032 | B-187-04 | 0.281 | 7.137 |
| 19128-0033 | B-187-06 | 0.281 | 7.137 |
| 19128-0034 | B-187-08 | 0.281 | 7.137 |
| 19129-0002 | BB-181-10 | 0.188 | 4.763 |
| 19129-0003 | BB-181-08 | 0.188 | 4.763 |
| 19129-0004 | BB-181-06 | 0.188 | 4.763 |
| 19129-0012 | BB-187-08 | 0.188 | 4.763 |
| 19129-0013 | BB-187-06 | 0.188 | 4.763 |
| 19129-0014 | BB-187-04 | 0.188 | 4.763 |
| 19129-0015 | BB-184-10 | 0.188 | 4.763 |
| 19129-0016 | BB-184-08 | 0.188 | 4.763 |
| 19129-0017 | BB-184-06 | 0.188 | 4.763 |
| 19129-0020 | BB-1781-10 | 0.188 | 4.763 |
| 19129-0022 | BB-1781-08 | 0.188 | 4.763 |
| 19129-0024 | BB-1781-06 | 0.188 | 4.763 |
| 19129-0026 | BB-1781-04 | 0.188 | 4.763 |
| 19129-0030 | BB-1471-06 | 0.188 | 4.763 |
| 19129-0032 | BB-1471-04 | 0.188 | 4.763 |
| 19140-0085 | B-107-04 | 0.281 | 7.137 |

| Wire Size: 14 – 16 AWG 2.00 – 1.30 mm ² | | | |
|--|------------------------|-------------------|-------|
| Terminal No. | Terminal Eng No. (REF) | Wire Strip Length | |
| | | In | mm |
| 19140-0085 | BB-107-04 | 0.188 | 4.763 |
| 19140-0086 | B-107-06 | 0.281 | 7.137 |
| 19140-0086 | BB-107-06 | 0.188 | 4.763 |
| 19140-0087 | B-124-04 | 0.281 | 7.137 |
| 19140-0088 | B-124-06 | 0.281 | 7.137 |
| 19140-0089 | B-124-08 | 0.281 | 7.137 |
| 19140-0090 | B-127-06 | 0.281 | 7.137 |
| 19140-0091 | B-127-08 | 0.281 | 7.137 |
| 19140-0093 | B-127-10 | 0.281 | 7.137 |
| 19141-0054 | BB-124-04 | 0.188 | 4.763 |
| 19141-0056 | BB-124-06 | 0.188 | 4.763 |
| 19141-0058 | BB-124-08 | 0.188 | 4.763 |
| 19141-0061 | BB-127-06 | 0.188 | 4.763 |
| 19141-0063 | BB-127-08 | 0.188 | 4.763 |
| 19141-0065 | BB-127-10 | 0.188 | 4.763 |
| 19146-0016 | B-307-04 | 0.281 | 7.137 |
| 19146-0017 | B-307-06 | 0.281 | 7.137 |
| 19146-0018 | B-324-04 | 0.281 | 7.137 |
| 19146-0019 | B-324-06 | 0.281 | 7.137 |
| 19146-0021 | B-324-08 | 0.281 | 7.137 |
| 19146-0024 | B-327-06 | 0.281 | 7.137 |
| 19146-0025 | B-327-08 | 0.281 | 7.137 |
| 19146-0029 | B-3471-04 | 0.281 | 7.137 |
| 19146-0030 | B-3471-06 | 0.281 | 7.137 |
| 19146-0034 | B-3781-04 | 0.281 | 7.137 |
| 19146-0035 | B-3781-06 | 0.281 | 7.137 |
| 19146-0036 | B-3781-08 | 0.281 | 7.137 |
| 19146-0037 | B-3781-10 | 0.281 | 7.137 |
| 19146-0038 | B-381-06 | 0.281 | 7.137 |
| 19146-0039 | B-381-08 | 0.281 | 7.137 |
| 19146-0040 | B-381-10 | 0.281 | 7.137 |
| 19146-0041 | B-384-06 | 0.281 | 7.137 |
| 19146-0042 | B-384-08 | 0.281 | 7.137 |
| 19146-0043 | B-384-10 | 0.281 | 7.137 |
| 19146-0044 | B-387-04 | 0.281 | 7.137 |
| 19146-0045 | B-387-06 | 0.281 | 7.137 |
| 19146-0046 | B-387-08 | 0.281 | 7.137 |
| 19146-0096 | B-327-10 | 0.281 | 7.137 |
| 19147-0040 | BB-307-04 | 0.188 | 4.763 |
| 19147-0042 | BB-307-06 | 0.188 | 4.763 |
| 19147-0044 | BB-324-04 | 0.188 | 4.763 |
| 19147-0046 | BB-324-06 | 0.188 | 4.763 |
| 19147-0048 | BB-324-08 | 0.188 | 4.763 |
| 19147-0050 | BB-327-06 | 0.188 | 4.763 |
| 19147-0052 | BB-327-08 | 0.188 | 4.763 |
| 19147-0054 | BB-327-10 | 0.188 | 4.763 |
| 19147-0056 | BB-3471-04 | 0.188 | 4.763 |
| 19147-0057 | BB-3471-06 | 0.188 | 4.763 |
| 19147-0058 | BB-3781-04 | 0.188 | 4.763 |
| 19147-0059 | BB-3781-06 | 0.188 | 4.763 |
| 19147-0061 | BB-3781-08 | 0.188 | 4.763 |
| 19147-0062 | BB-3781-10 | 0.188 | 4.763 |
| 19147-0064 | BB-381-06 | 0.188 | 4.763 |
| 19147-0066 | BB-381-08 | 0.188 | 4.763 |
| 19147-0068 | BB-381-10 | 0.188 | 4.763 |
| 19147-0070 | BB-384-06 | 0.188 | 4.763 |
| 19147-0072 | BB-384-08 | 0.188 | 4.763 |

| Wire Size: 14 – 16 AWG 2.00 – 1.30 mm ² | | | |
|--|------------------------|-------------------|-------|
| Terminal No. | Terminal Eng No. (REF) | Wire Strip Length | |
| | | In | mm |
| 19147-0074 | BB-384-10 | 0.188 | 4.763 |
| 19147-0076 | BB-387-04 | 0.188 | 4.763 |
| 19147-0078 | BB-387-06 | 0.188 | 4.763 |
| 19147-0080 | BB-387-08 | 0.188 | 4.763 |
| 19170-0007 | B-119-06 | 0.281 | 7.137 |
| 19170-0007 | BB-119-06 | 0.188 | 4.763 |
| 19170-0009 | B-119-08 | 0.281 | 7.137 |
| 19170-0009 | BB-119-08 | 0.188 | 4.763 |
| 19170-0011 | B-119-10 | 0.281 | 7.137 |
| 19170-0011 | BB-119-10 | 0.188 | 4.763 |
| 19172-0007 | B-319-06 | 0.281 | 7.137 |
| 19172-0009 | B-319-08 | 0.281 | 7.137 |
| 19172-0011 | B-319-10 | 0.281 | 7.137 |
| 19180-0007 | BB-319-06 | 0.188 | 4.763 |
| 19180-0009 | BB-319-08 | 0.188 | 4.763 |
| 19180-0011 | BB-319-10 | 0.188 | 4.763 |
| 19189-0008 | B-131 | 0.234 | 5.944 |
| 19189-0009 | B-131-B | 0.234 | 5.944 |
| 19189-0012 | B-L131 | 0.281 | 7.137 |
| 19193-0053 | BB-318-10 | 0.188 | 4.763 |
| 19193-0055 | BB-318-14 | 0.188 | 4.763 |
| 19193-0057 | BB-318-38 | 0.188 | 4.763 |
| 19193-0060 | BB-318-56 | 0.188 | 4.763 |
| 19193-0062 | BB-323-02 | 0.188 | 4.763 |
| 19193-0064 | BB-323-04 | 0.188 | 4.763 |
| 19193-0066 | BB-323-06 | 0.188 | 4.763 |
| 19193-0068 | BB-323-08 | 0.188 | 4.763 |
| 19193-0070 | BB-325-10 | 0.188 | 4.763 |
| 19193-0072 | BB-325-14 | 0.188 | 4.763 |
| 19193-0074 | BB-325-56 | 0.188 | 4.763 |
| 19193-0076 | BB-337-04 | 0.188 | 4.763 |
| 19193-0078 | BB-337-06 | 0.188 | 4.763 |
| 19193-0080 | BB-337-08 | 0.188 | 4.763 |
| 19193-0082 | BB-337-10 | 0.188 | 4.763 |
| 19193-0085 | BB-339-04 | 0.188 | 4.763 |
| 19193-0087 | BB-339-06 | 0.188 | 4.763 |
| 19193-0089 | BB-339-08 | 0.188 | 4.763 |
| 19193-0091 | BB-339-10 | 0.188 | 4.763 |
| 19202-0023 | B-N-131 | 0.234 | 5.944 |
| 19203-0042 | B-S-123-06 | 0.281 | 7.137 |
| 19203-0044 | B-S-125-14 | 0.281 | 7.137 |
| 19203-0047 | B-S-137-06 | 0.296 | 7.540 |
| 19203-0049 | B-S-137-08 | 0.281 | 7.137 |
| 19203-0051 | B-S-137-10 | 0.281 | 7.137 |
| 19203-0061 | BB-T-337-08 | 0.188 | 4.763 |
| 19203-0063 | BB-T-337-10 | 0.188 | 4.763 |
| 19203-0070 | BB-T-437-06 | 0.250 | 6.350 |
| 19203-0072 | BB-T-437-08 | 0.250 | 6.350 |
| 19203-0074 | BB-T-437-10 | 0.250 | 6.350 |
| 19203-0077 | BB-U-123-06 | 0.188 | 4.763 |
| 19203-0079 | BB-U-125-14 | 0.188 | 4.763 |
| 19203-0083 | BB-U-137-08 | 0.188 | 4.763 |
| 19203-0085 | BB-U-137-10 | 0.188 | 4.763 |
| 19203-0147 | BB-T-323-06 | 0.188 | 4.763 |
| 19203-0148 | BB-T-325-14 | 0.188 | 4.763 |
| 19203-0149 | BB-T-337-06 | 0.188 | 4.763 |
| 19203-0150 | BB-U-137-06 | 0.188 | 4.763 |

| Wire Size: 14 – 16 AWG 2.00 – 1.30 mm ² | | | |
|--|------------------------|-------------------|-------|
| Terminal No. | Terminal Eng No. (REF) | Wire Strip Length | |
| | | In | mm |
| 19203-0170 | B-S-131 | 0.296 | 7.540 |
| 19203-0171 | B-T-331 | 0.296 | 7.540 |
| 19203-0172 | B-T-304 | 0.281 | 7.137 |
| 19203-0202 | B-S-127-10 | 0.281 | 7.137 |
| 19203-0223 | BB-T-318-38 | 0.188 | 4.763 |
| 19203-0233 | B-S-125-56 | 0.281 | 7.137 |
| 19203-0274 | BB-U-125-56 | 0.188 | 4.763 |
| 19203-0302 | B-S-118-38 | 0.281 | 7.137 |
| 19203-0381 | B-S-127-10 | 0.281 | 7.137 |
| 19203-0491 | B-S-125-56 | 0.281 | 7.137 |
| 19203-0489 | B-S-123-06 | 0.281 | 7.137 |
| 19203-0490 | B-S-125-14 | 0.281 | 7.137 |
| 19203-0488 | B-S-137-06 | 0.296 | 7.540 |
| 19203-0470 | B-S-137-08 | 0.281 | 7.137 |
| 19203-0388 | B-S-137-10 | 0.281 | 7.137 |
| 19204-0011 | B-1XC | 0.281 | 7.137 |
| 19204-0012 | B-1YC | 0.281 | 7.137 |
| 19204-0015 | B-3XC | 0.281 | 7.137 |
| 19204-0016 | B-3YC | 0.281 | 7.137 |
| 19205-0001 | BS-304 | 0.281 | 7.137 |
| 19208-0001 | B-104 | 0.281 | 7.137 |
| 19211-0005 | WP-1614 | 0.188 | 4.763 |
| 19215-0013 | BA-331 | 0.281 | 7.137 |
| 19215-0018 | BS-331 | 0.281 | 7.137 |
| 19022-0018 | MCT-1 | 0.281 | 7.137 |
| 19022-0021 | MCT-1-N | 0.281 | 7.137 |
| 19022-0027 | MMCT-1 | 0.187 | 4.760 |

| HEAVY DUTY | | | |
|---|------------------------|-------------------|-------|
| Wire Size: 14 – 16 AWG 2.00 – 1.30 mm ² | | | |
| Also suitable for 12 AWG 3.00 mm ² Use 10-12 Pocket (YELLOW) | | | |
| Terminal No. | Terminal Eng No. (REF) | Wire Strip Length | |
| | | In | mm |
| 19044-0137 | B-101-12HD | 0.281 | 7.137 |
| 19044-0139 | B-101-14HD | 0.281 | 7.137 |
| 19044-0140 | B-101-38HD | 0.281 | 7.137 |
| 19044-0141 | B-101-56HD | 0.281 | 7.137 |
| 19044-0142 | B-101-76HD | 0.281 | 7.137 |
| 19044-0161 | B-128-06HD | 0.281 | 7.137 |
| 19044-0162 | B-128-08HD | 0.281 | 7.137 |
| 19044-0163 | B-128-10HD | 0.281 | 7.137 |
| 19044-0166 | B-130-10HD | 0.281 | 7.137 |
| 19044-0167 | B-130-14HD | 0.281 | 7.137 |
| 19044-0168 | B-130-56HD | 0.281 | 7.137 |
| 19044-0172 | B-136-04HD | 0.281 | 7.137 |
| 19044-0173 | B-136-06HD | 0.281 | 7.137 |
| 19044-0174 | B-136-08HD | 0.281 | 7.137 |
| 19044-0180 | B-140-10HD | 0.281 | 7.137 |
| 19044-0182 | B-140-14HD | 0.281 | 7.137 |
| 19044-0184 | B-140-38HD | 0.281 | 7.137 |
| 19044-0186 | B-140-56HD | 0.281 | 7.137 |
| 19056-0049 | B-301-56HD | 0.281 | 7.137 |
| 19056-0079 | B-328-06HD | 0.281 | 7.137 |
| 19056-0081 | B-328-08HD | 0.281 | 7.137 |
| 19056-0083 | B-328-10HD | 0.281 | 7.137 |
| 19056-0085 | B-330-10HD | 0.281 | 7.137 |
| 19056-0087 | B-330-14HD | 0.281 | 7.137 |

| HEAVY DUTY | | | |
|---|------------------------|-------------------|-------|
| Wire Size: 14 – 16 AWG 2.00 – 1.30 mm ² | | | |
| Also suitable for | | | |
| 12 AWG 3.00 mm ² Use 10-12 Pocket (YELLOW) | | | |
| Terminal No. | Terminal Eng No. (REF) | Wire Strip Length | |
| | | In | mm |
| 19056-0089 | B-330-56HD | 0.281 | 7.137 |
| 19056-0095 | B-336-04HD | 0.281 | 7.137 |
| 19056-0121 | B-340-10HD | 0.281 | 7.137 |
| 19056-0125 | B-340-38HD | 0.281 | 7.137 |
| 19117-0054 | B-117-06HD | 0.281 | 7.137 |
| 19117-0055 | B-117-08HD | 0.281 | 7.137 |
| 19117-0056 | B-117-10HD | 0.281 | 7.137 |
| 19123-0023 | B-317-06HD | 0.281 | 7.137 |
| 19123-0025 | B-317-10HD | 0.281 | 7.137 |
| 19140-0095 | B-141-06HD | 0.281 | 7.137 |
| 19140-0097 | B-141-08HD | 0.281 | 7.137 |
| 19140-0098 | B-141-10HD | 0.281 | 7.137 |
| 19140-0099 | B-168-10HD | 0.281 | 7.137 |
| 19140-0100 | B-168-14HD | 0.281 | 7.137 |
| 19140-0101 | B-168-56HD | 0.281 | 7.137 |
| 19146-0027 | B-341-08HD | 0.281 | 7.137 |
| 19146-0031 | B-368-10HD | 0.281 | 7.137 |
| 19146-0033 | B-368-56HD | 0.281 | 7.137 |

| METRIC RING TERMINALS | | | |
|-------------------------------------|------------------------|-------------------|-------|
| Wire Size: 2.5 – 1.0mm ² | | | |
| Terminal No. | Terminal Eng No. (REF) | Wire Strip Length | |
| | | In | mm |
| 193230006 | BB2,5-323-M3 | 0.188 | 4.763 |
| 193230007 | BB2,5-323-M3,5 | 0.188 | 4.763 |
| 193230008 | BB2,5-323-M4 | 0.188 | 4.763 |
| 193230009 | BB2,5-339-M5 | 0.188 | 4.763 |
| 193230010 | BB2,5-325-M6 | 0.188 | 4.763 |
| 193230011 | BB2,5-318-M8 | 0.188 | 4.763 |

| Wire Size: 10 – 12 AWG 5.00 – 3.00 mm² | | | |
|--|------------------------|-------------------|-------|
| Terminal No. | Terminal Eng No. (REF) | Wire Strip Length | |
| | | In | mm |
| 19000-0303 | C-128-08R90 | 0.281 | 7.137 |
| 19000-0304 | C-128-10R90 | 0.281 | 7.137 |
| 19069-0180 | C-030-14 | 0.281 | 7.137 |
| 19069-0192 | C-101-12 | 0.281 | 7.137 |
| 19069-0195 | C-101-14 | 0.281 | 7.137 |
| 19069-0196 | C-101-38 | 0.281 | 7.137 |
| 19069-0197 | C-101-56 | 0.281 | 7.137 |
| 19069-0198 | C-101-76 | 0.281 | 7.137 |
| 19069-0200 | C-128-04 | 0.281 | 7.137 |
| 19069-0202 | C-128-06 | 0.281 | 7.137 |
| 19069-0205 | C-128-08 | 0.281 | 7.137 |
| 19069-0209 | C-128-10 | 0.281 | 7.137 |
| 19069-0217 | C-130-10 | 0.281 | 7.137 |
| 19069-0219 | C-130-14 | 0.281 | 7.137 |
| 19069-0222 | C-130-38 | 0.281 | 7.137 |
| 19069-0223 | C-130-56 | 0.281 | 7.137 |
| 19069-0229 | C-136-04 | 0.281 | 7.137 |
| 19069-0230 | C-136-06 | 0.281 | 7.137 |
| 19069-0233 | C-136-08 | 0.281 | 7.137 |
| 19069-0234 | C-136-08R90 | 0.281 | 7.137 |
| 19069-0236 | C-140-10 | 0.281 | 7.137 |

| Wire Size: 10 – 12 AWG 5.00 – 3.00 mm² | | | |
|--|------------------------|-------------------|-------|
| Terminal No. | Terminal Eng No. (REF) | Wire Strip Length | |
| | | In | mm |
| 19069-0238 | C-140-14 | 0.281 | 7.137 |
| 19069-0241 | C-140-38 | 0.281 | 7.137 |
| 19069-0244 | C-140-56 | 0.281 | 7.137 |
| 19079-0011 | C-1006-MS | 0.281 | 7.137 |
| 19087-0145 | C-1103-08 | 0.281 | 7.137 |
| 19087-0147 | C-1106-06 | 0.281 | 7.137 |
| 19087-0149 | C-112-06 | 0.281 | 7.137 |
| 19087-0151 | C-112-08 | 0.281 | 7.137 |
| 19087-0153 | C-112-10 | 0.281 | 7.137 |
| 19093-0067 | C-3106-06 | 0.281 | 7.137 |
| 19093-0069 | C-312-06 | 0.281 | 7.137 |
| 19093-0071 | C-312-08 | 0.281 | 7.137 |
| 19093-0073 | C-312-10 | 0.281 | 7.137 |
| 19098-0061 | C-1196-06 | 0.281 | 7.137 |
| 19098-0063 | C-1197-08 | 0.281 | 7.137 |
| 19098-0065 | C-1198-10 | 0.281 | 7.137 |
| 19098-0067 | C-1199-14 | 0.281 | 7.137 |
| 19098-0068 | C-1710-05 | 0.281 | 7.137 |
| 19098-0069 | C-1710-06 | 0.281 | 7.137 |
| 19098-0073 | C-1718-08 | 0.281 | 7.137 |
| 19098-0074 | C-1719-10 | 0.281 | 7.137 |
| 19118-0078 | C-1101-08 | 0.281 | 7.137 |
| 19118-0079 | C-1104-06 | 0.281 | 7.137 |
| 19118-0080 | C-1104-08 | 0.281 | 7.137 |
| 19118-0082 | C-1104-10 | 0.281 | 7.137 |
| 19118-0084 | C-117-06 | 0.281 | 7.137 |
| 19118-0086 | C-117-08 | 0.281 | 7.137 |
| 19118-0088 | C-117-10 | 0.281 | 7.137 |
| 19124-0061 | C-3101-08 | 0.281 | 7.137 |
| 19124-0063 | C-3104-06 | 0.281 | 7.137 |
| 19124-0065 | C-3104-08 | 0.281 | 7.137 |
| 19124-0066 | C-3104-10 | 0.281 | 7.137 |
| 19124-0067 | C-317-06 | 0.281 | 7.137 |
| 19124-0069 | C-317-08 | 0.281 | 7.137 |
| 19124-0071 | C-317-10 | 0.281 | 7.137 |
| 19129-0001 | C-1481-10 | 0.281 | 7.137 |
| 19129-0005 | C-1105-10 | 0.281 | 7.137 |
| 19129-0007 | C-1105-08 | 0.281 | 7.137 |
| 19129-0008 | C-1105-06 | 0.281 | 7.137 |
| 19129-0010 | C-1102-08 | 0.281 | 7.137 |
| 19141-0081 | C-141-06 | 0.281 | 7.137 |
| 19141-0083 | C-141-08 | 0.281 | 7.137 |
| 19141-0085 | C-141-10 | 0.281 | 7.137 |
| 19141-0087 | C-168-10 | 0.281 | 7.137 |
| 19141-0088 | C-168-14 | 0.281 | 7.137 |
| 19141-0090 | C-168-56 | 0.281 | 7.137 |
| 19147-0083 | C-3102-08 | 0.281 | 7.137 |
| 19147-0086 | C-3105-06 | 0.281 | 7.137 |
| 19147-0088 | C-3105-08 | 0.281 | 7.137 |
| 19147-0090 | C-3105-10 | 0.281 | 7.137 |
| 19147-0092 | C-341-06 | 0.281 | 7.137 |
| 19147-0096 | C-341-10 | 0.281 | 7.137 |
| 19147-0099 | C-3481-10 | 0.281 | 7.137 |
| 19147-0100 | C-368-10 | 0.281 | 7.137 |
| 19147-0101 | C-368-14 | 0.281 | 7.137 |
| 19147-0103 | C-368-56 | 0.281 | 7.137 |
| 19147-0105 | C-341-08 | 0.281 | 7.137 |

| Wire Size: 10 – 12 AWG 5.00 – 3.00 mm ² | | | |
|--|------------------------|-------------------|-------|
| Terminal No. | Terminal Eng No. (REF) | Wire Strip Length | |
| | | In | mm |
| 19178-0014 | C-111-06 | 0.281 | 7.137 |
| 19178-0016 | C-111-08 | 0.281 | 7.137 |
| 19178-0018 | C-111-10 | 0.281 | 7.137 |
| 19178-0020 | C-199-14 | 0.281 | 7.137 |
| 19178-0021 | C-199-56 | 0.281 | 7.137 |
| 19180-0013 | C-311-06 | 0.281 | 7.137 |
| 19180-0015 | C-311-08 | 0.281 | 7.137 |
| 19180-0017 | C-311-10 | 0.281 | 7.137 |
| 19180-0019 | C-399-14 | 0.281 | 7.137 |
| 19189-0015 | C-146 | 0.234 | 5.950 |
| 19189-0016 | C-146-B | 0.234 | 5.950 |
| 19189-0018 | C-L146 | 0.359 | 9.119 |
| 19193-0096 | C-301-14 | 0.281 | 7.137 |
| 19193-0097 | C-301-38 | 0.281 | 7.137 |
| 19193-0098 | C-301-56 | 0.281 | 7.137 |
| 19193-0099 | C-301-76 | 0.281 | 7.137 |
| 19193-0101 | C-328-04 | 0.281 | 7.137 |
| 19193-0103 | C-328-06 | 0.281 | 7.137 |
| 19193-0106 | C-328-08 | 0.281 | 7.137 |
| 19193-0112 | C-328-209 | 0.281 | 7.137 |
| 19193-0114 | C-330-10 | 0.281 | 7.137 |
| 19193-0116 | C-330-14 | 0.281 | 7.137 |
| 19193-0126 | C-336-04 | 0.281 | 7.137 |
| 19193-0130 | C-336-08 | 0.281 | 7.137 |
| 19193-0132 | C-340-10 | 0.281 | 7.137 |
| 19193-0134 | C-340-14 | 0.281 | 7.137 |
| 19193-0141 | C-340-56 | 0.281 | 7.137 |
| 19193-0532 | C-328-10R90 | 0.281 | 7.137 |
| 19203-0091 | C-S-128-06 | 0.281 | 7.137 |
| 19203-0099 | C-340-38 | 0.281 | 7.144 |
| 19203-0113 | C-U-128-10 | 0.281 | 7.137 |
| 19203-0151 | C-S-128-08 | 0.281 | 7.137 |
| 19203-0152 | C-S-130-14 | 0.281 | 7.137 |
| 19203-0153 | C-S-130-56 | 0.281 | 7.137 |
| 19203-0154 | C-S-140-38 | 0.281 | 7.137 |
| 19203-0155 | C-T-328-06 | 0.281 | 7.137 |
| 19203-0156 | C-330-56 | 0.281 | 7.144 |
| 19203-0157 | C-T-330-56 | 0.281 | 7.137 |
| 19203-0158 | C-T-328-10 | 0.281 | 7.144 |
| 19203-0158 | C-T-340-38 | 0.281 | 7.137 |
| 19203-0159 | C-U-128-06 | 0.281 | 7.137 |
| 19203-0160 | C-U-128-08 | 0.281 | 7.137 |
| 19203-0161 | C-U-130-14 | 0.281 | 7.137 |
| 19203-0162 | C-U-130-56 | 0.281 | 7.137 |
| 19203-0163 | C-U-140-38 | 0.281 | 7.137 |
| 19203-0167 | C-S-146 | 0.234 | 5.950 |
| 19203-0169 | C-T-303 | 0.281 | 7.140 |
| 19203-0182 | C-T-328-08 | 0.281 | 7.144 |

| Wire Size: 10 – 12 AWG 5.00 – 3.00 mm ² | | | |
|--|------------------------|-------------------|-------|
| Terminal No. | Terminal Eng No. (REF) | Wire Strip Length | |
| | | In | mm |
| 19203-0182 | C-T-330-14 | 0.281 | 7.137 |
| 19203-0183 | C-T-346 | 0.359 | 9.119 |
| 19203-0224 | C-T-430-56 | 0.375 | 9.520 |
| 19203-0228 | C-S-128-04 | 0.281 | 7.137 |
| 19203-0235 | C-S-141-10 | 0.281 | 7.137 |
| 19203-0236 | C-T-428-08 | 0.375 | 9.520 |
| 19203-0236 | C-T-428-08 | 0.375 | 9.520 |
| 19203-0237 | C-U-428-10 | 0.375 | 9.520 |
| 19203-0276 | C-T-430-14 | 0.375 | 9.520 |
| 19203-0382 | C-S-141-10 | 0.281 | 7.137 |
| 19203-0386 | C-S-146 | 0.234 | 5.950 |
| 19203-0389 | C-S-128-10 | 0.281 | 7.137 |
| 19203-0492 | C-S-140-38 | 0.281 | 7.137 |
| 19203-0493 | C-S-128-06 | 0.281 | 7.137 |
| 19203-0494 | C-S-128-08 | 0.281 | 7.137 |
| 19203-0495 | C-S-130-14 | 0.281 | 7.137 |
| 19203-0496 | C-S-130-56 | 0.281 | 7.137 |
| 19204-0023 | C-1XC | 0.281 | 7.137 |
| 19204-0024 | C-1YC | 0.281 | 7.137 |
| 19204-0027 | C-3XC | 0.281 | 7.137 |
| 19204-0028 | C-3YC | 0.281 | 7.137 |
| 19205-0003 | CS-303 | 0.281 | 7.137 |
| 19208-0002 | C-103 | 0.281 | 7.137 |
| 19211-0001 | WP-1210 | 0.281 | 7.144 |
| 19215-0023 | CB-346 | 0.359 | 9.119 |
| 19215-0028 | CS-346 | 0.359 | 9.120 |

| MILITARY Wire Size: 10 – 12 AWG 5.00 – 3.00 mm ² | | | |
|--|------------------------|-------------------|-------|
| Terminal No. | Terminal Eng No. (REF) | Wire Strip Length | |
| | | In | mm |
| 19193-0094 | C-301-12 | 0.281 | 7.137 |
| 19193-0109 | C-328-10 | 0.281 | 7.137 |
| 19193-0120 | C-330-56 | 0.281 | 7.137 |
| 19193-0128 | C-336-06 | 0.281 | 7.137 |
| 19193-0137 | C-340-38 | 0.281 | 7.137 |

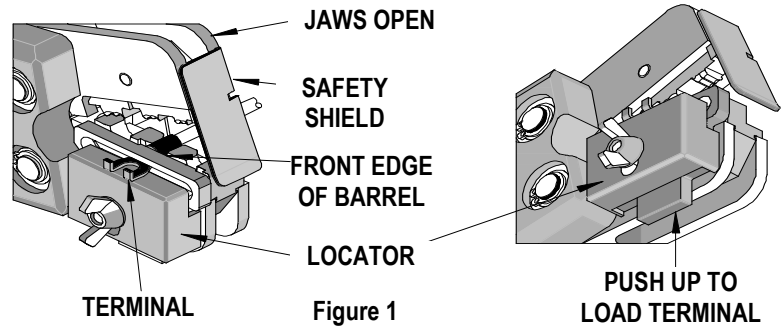
| METRIC RING TERMINALS Wire Size: 6.0 - 2.5mm ² | | | |
|--|------------------------|-------------------|-------|
| Terminal No. | Terminal Eng No. (REF) | Wire Strip Length | |
| | | In | mm |
| 193230012 | C6-336-M4 | 0.281 | 7.137 |
| 193230013 | C6-328-M5 | 0.281 | 7.137 |
| 193230014 | C6-330-M6 | 0.281 | 7.137 |
| 193230015 | C6-330-M8 | 0.281 | 7.137 |
| 193230016 | C6-340-M10 | 0.281 | 7.137 |

Operation

Refer to the instruction manual for the 19279-0001 (AT-200) for mounting this crimp tool head.

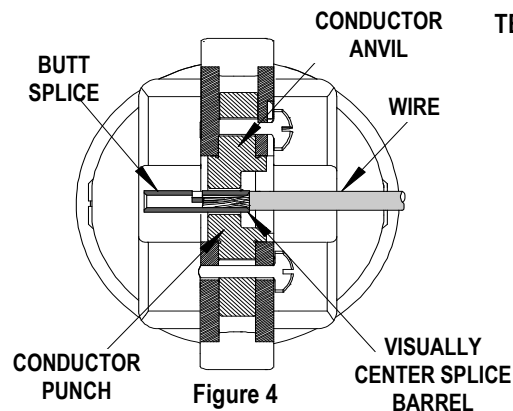
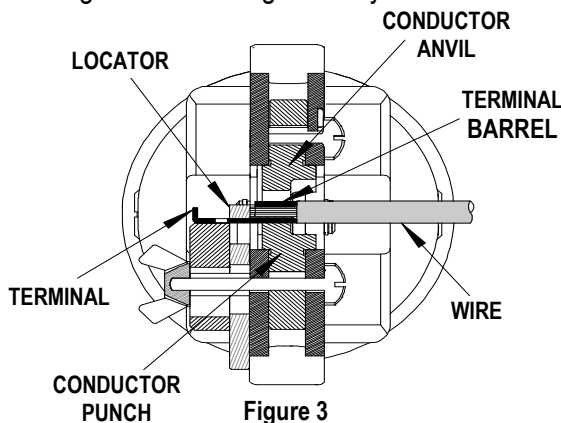
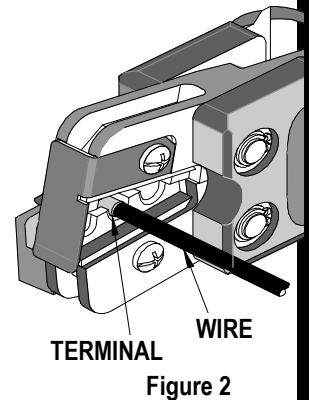
Crimping Terminals

1. Adjust the locator up or down until the terminal being run sits flat and straight in the tool.
2. Insert the wire into the terminal. Push up on the locator blade and insert the terminal and wire into the proper nest with the barrel up and against the locator bar. Release the locator blade to hold the terminal in position. See Figure 1. Locator may be raised or lowered so terminal sits flat and straight in tool. The locator must be removed to run splices.



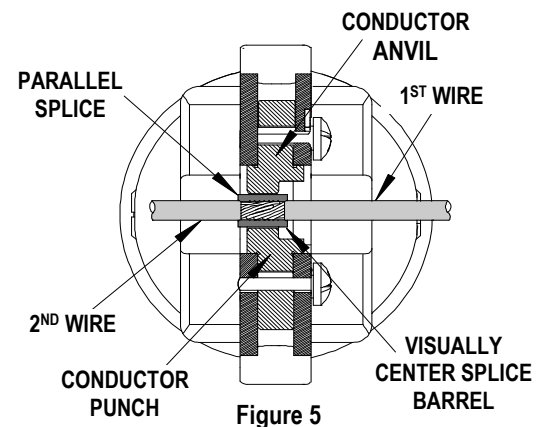
Caution: Never operate this tool without the supplied safety shield in place. Never place fingers in the tool nests.

3. Push on the wire to assure it is fully seated in the terminal. See Figure 2 and 3. The wires end should butt against the wire stop position of the locator. Cycle the tool.
4. Lift the locator blade or wire stop and remove the crimped terminal. Inspect for proper crimp location. Locator is adjustable up and down to keep terminals straight after crimping.
5. When crimping butt splices, the locator must be removed. Insert the wire into the butt splice. Position the splice and the wire in proper coded nest with conductor crimp on the conductor barrel of the splice. The splice should be approximately centered inside the tooling nests. See Figure 4. Cycle the tool.



Note: Whenever crimping without the locator, make sure the seam of the terminal is oriented up or down in the tool if using unbrazed product, as this will provide higher pull force values.

6. When crimping parallel splices, the locator must be removed. Insert the 1st wire into one end of splice then insert the 2nd wire into the opposite end of the parallel splice. This procedure will crimp both wires at the same time. Make sure the wires are fully seated into the parallel splice. Position the splice and the wires in proper coded nest with conductor crimp on the conductor barrel of the splice. The splice should be approximately centered inside the tooling nests. See Figure 5. Cycle the tool.



Maintenance

It is recommended that each operator of the tool be made aware of, and responsible for, the following maintenance steps:

Remove dust, moisture and other contaminants with a clean brush, or soft, lint-free cloth.

Do not use any abrasive materials that could damage the tool. Make certain all pins, pivot points and bearing surfaces are protected with a thin coat of high quality machine oil. Do not oil excessively. This tool was engineered for durability, but like any fine piece of equipment it needs cleaning and lubrication for a maximum service life of trouble-free crimping. Use a light oil, such as 30 weight automotive oil at the oil points shown in Figure 6, every 5,000 crimps or monthly will significantly enhance the tool life and ensure a stable calibration. When tool is not in use store the tool in a clean, dry area.

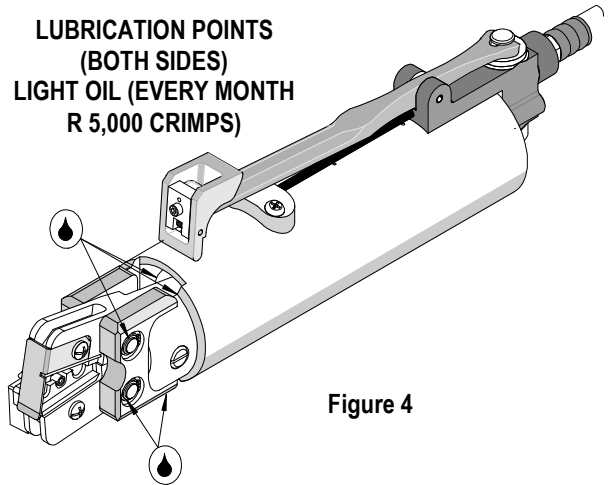
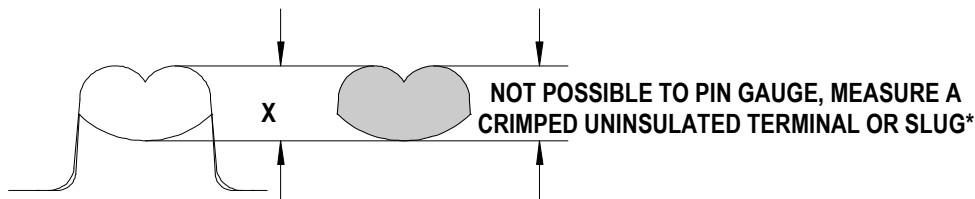


Figure 4

Tool Calibration

A Certificate of Calibration (See last page) was supplied with the tool. To recalibrate this tool, measurements should be taken from each conductor nest and compared to this chart. The tool should be lubricated prior to recalibration to ensure consistent measurements.



“ F ” Crimp

*SOLDER, LEAD OR SIMILAR SOFT METAL

| Nest Color Code | Wire Range | | “X” Dimension Conductor Crimp | | |
|-----------------|------------|-----------------|-------------------------------|------|-------|
| | AWG | mm ² | Mean | Go | No Go |
| Red | 22 - 18 | 0.35 - 0.80 | .073 | .068 | .078 |
| Blue | 16 - 14 | 1.30 - 2.00 | .095 | .089 | .101 |
| Yellow | 12 - 10 | 3.30 - 5.00 | .127 | .121 | .133 |

Warranty

This tool is for electrical terminal crimping purposes only. This tool is made of the best quality materials. All vital components are long-life tested. All tools are warranted to be free of manufacturing defects for a period of 30 days. Should such a defect occur, we would repair or exchange the tool free of charge. This repair or exchange will not be applicable to altered, misused or damaged tools.

CAUTION: Molex crimp specifications are valid only when used with Molex terminals and tooling.

PARTS LIST

| Item | Order No | Description | Quantity |
|-------------------------|-------------------|------------------------|-----------------|
| | 64007-0100 | Crimp Tool Head | Figure 7 |
| 1 | 64005-0000 | Basic Air Tool Head | 1 |
| 2 | 64007-0375 | Locator Assembly | 1 |
| 3 | 64003-0170 | Tooling Kit | 1 |
| Tooling Kit Only | | | |
| 4 | 64001-0102 | Conductor Anvil | 1 |
| 5 | 64001-0101 | Conductor Punch | 1 |

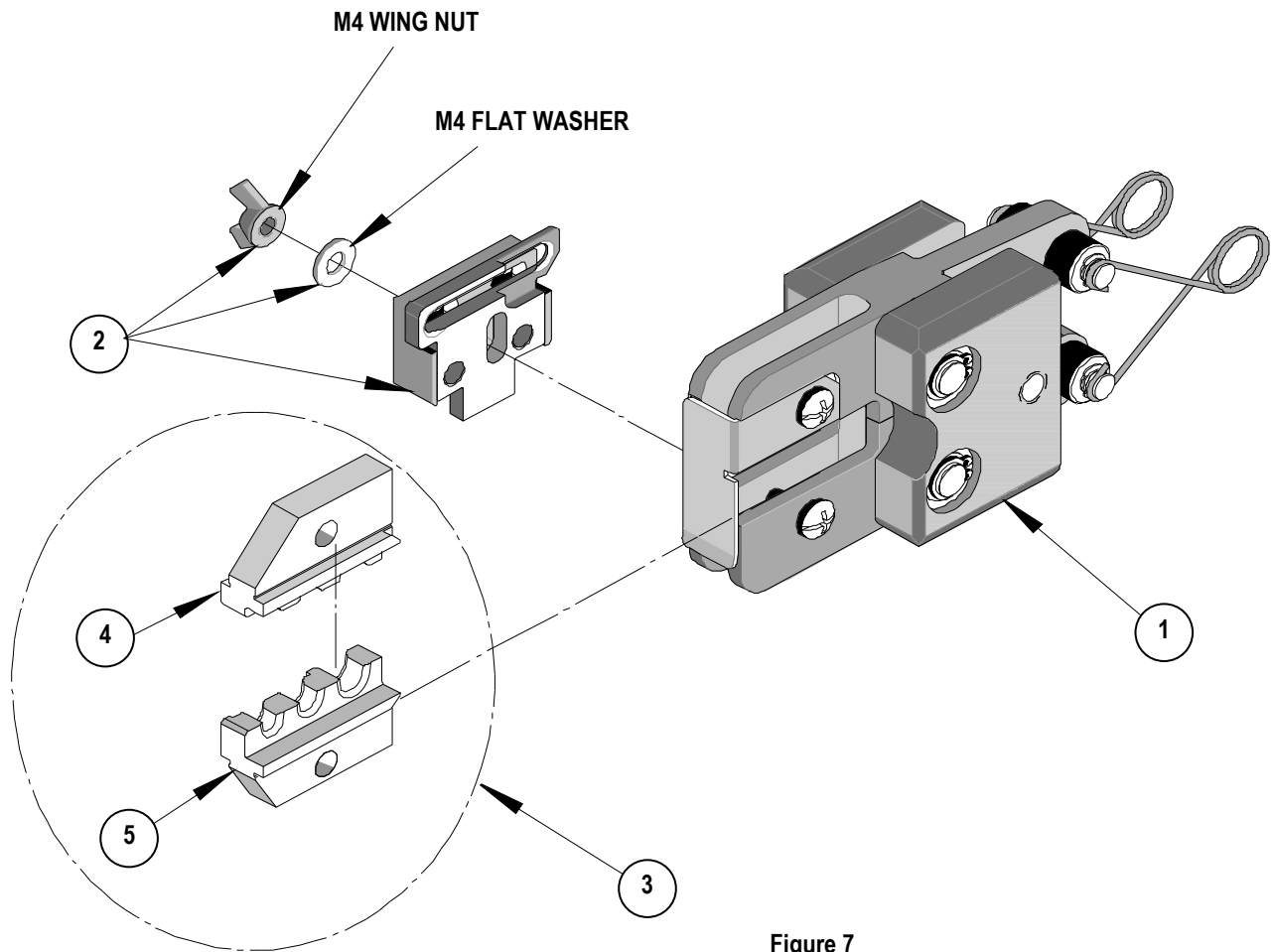


Figure 7

Parts List (Continued)

| Item | Order No. | Description | Quantity |
|------|-------------------|---|-----------------|
| | 64005-0000 | Basic Air Tool Head | Figure 8 |
| 1 | 64005-0103 | Nose Guard | 1 |
| 2 | 64000-0077 | Repair Kit (Springs, Rods Pivots ,Rings, and Washers) | 1 |
| 3 | N/A | M4 by 12 Long Freedrive Pan Head Screw | 1** |
| 4 | N/A | M4 by 30 Long Freedrive Pan Head Screw | 1** |
| 5 | N/A | 3/16" by 3/8" Long Dowel Pin | 1** |

** Available from an Industrial supply company such as MSC (1-800-645-7270).

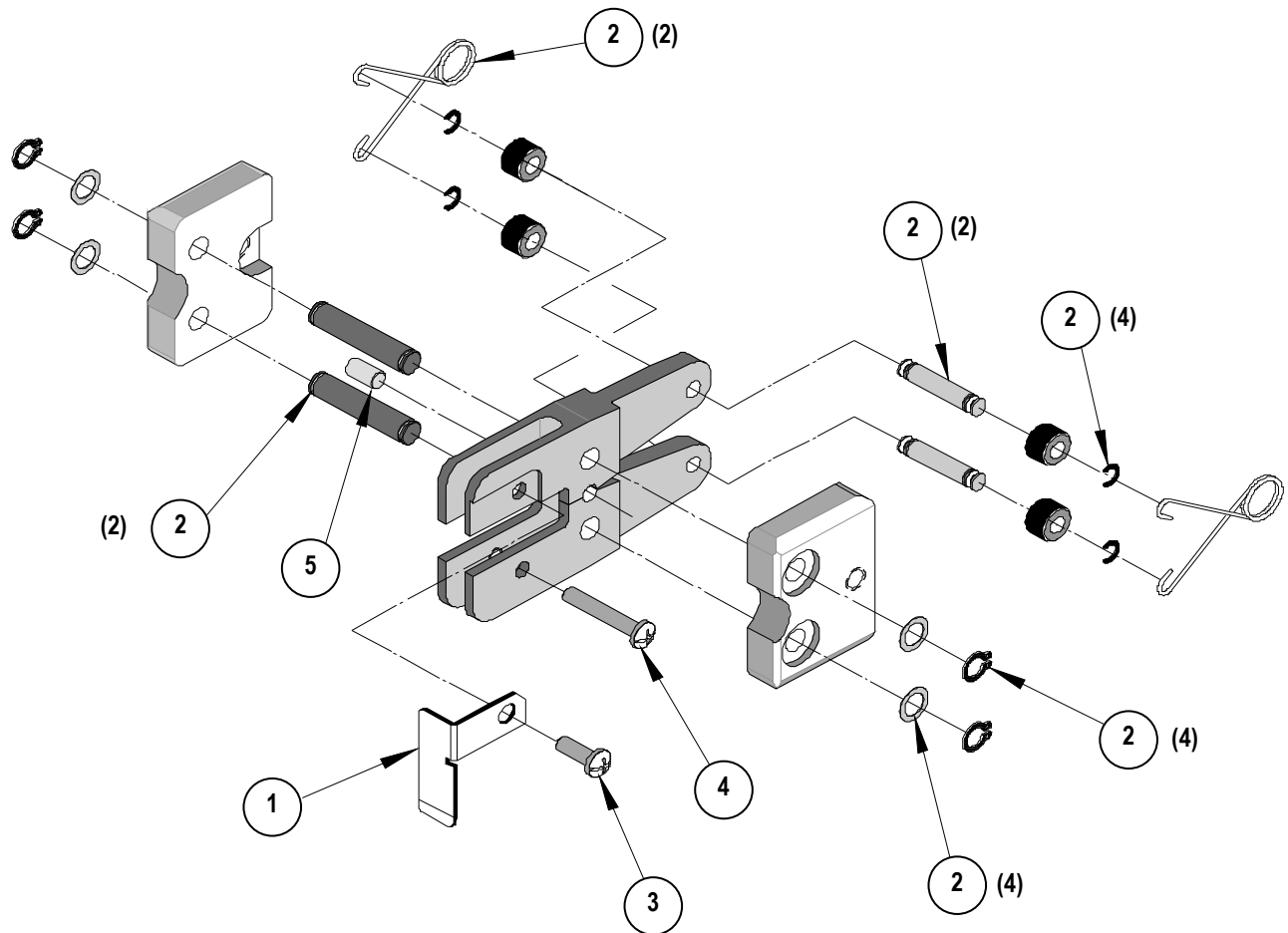
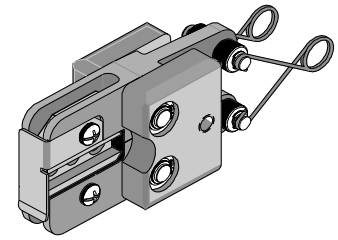


Figure 8



**Air Powered
Crimp Tool Head
Krimptite™ and
VersaKrimp™**

Certificate of Calibration

**Order No. 64007-0100
Engineering No. AT 1992**

Tool Order Number -----

Tool Eng. Number -----

Tool Revision -----

Serial Number -----

Date of Manufacture -----

Pin Gauge of Conductor Nest/Nests or Slug height if the nest is the "F" Crimp style.

Range Conductor Nest # 1 = ----- Actual = -----

Range Conductor Nest # 2 = ----- Actual = -----

Range Conductor Nest # 3 = ----- Actual = -----

Technician -----

Date of Calibration -----

Calibration should be done every 5,000 cycles or 3 months.
Tools should be lubricated during this operation.

Visit our Web site at <http://www.molex.com>