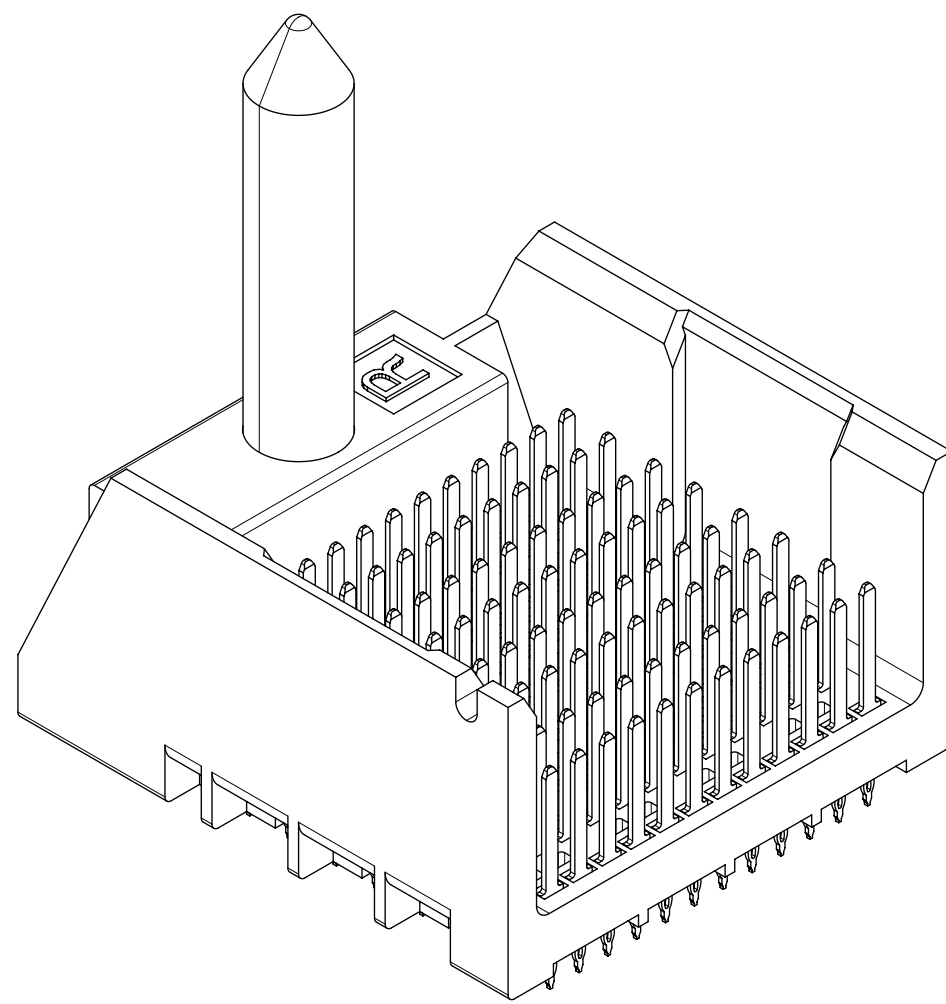


- NOTES:
1. MATERIALS: HOUSING - LIQUID CRYSTAL POLYMER (LCP) GLASS-FILLED, UL94V-0  
TERMINALS - HIGH PERFORMANCE COPPER ALLOY
  2. FINISH: 30μ MIN GOLD IN CONTACT AREA.  
SELECTIVE TIN ON PCB TAILS.  
NICKEL OVERALL.
  3. REFER TO MOLEX PRODUCT SPECIFICATION PS-76060-999 FOR PERFORMANCE SPECIFICATIONS AND ADDITIONAL PCB INFORMATION.
  4. THIS PART CONFORMS TO CLASS B REQUIREMENTS OF MOLEX COSMETIC SPEC PS-45499-002.
  5. PACKAGE PER: PK-70873-764.
  6. SEE SHEETS 2 & 3 FOR PART NUMBERS AND BOARD RELATIONSHIPS.
  7. MATES WITH IMPACT DC SERIES NO. 76850.
  8. REFER TO MOLEX PCB ROUTING GUIDE AS-76060-990 FOR ANTIPAD AND ROUTING RECOMMENDATIONS.
  9. KEEP OUT ZONE FOR BP HOUSING LENGTH INCLUDES AN ADDITIONAL 1.0MM TO ACCOMODATE FOR SPACE REQUIRED BY DC FRONT HOUSING.
  10. CONNECTORS SUPPLIED WITH A 2-56 UNC-2A SCREW.

QUALITY SYMBOLS	THIS DRAWING CONTAINS INFORMATION THAT IS PROPRIETARY TO MOLEX ELECTRONIC TECHNOLOGIES, LLC AND SHOULD NOT BE USED WITHOUT WRITTEN PERMISSION		
▽ = 0	EC NO: 123922 DRWN: NSRVATSAHS 2017/10/10 CHKD: PRAMASWAMY 2017/10/17 APPR: PRAMASWAMY 2017/10/18 MIGRATED TO NX	GENERAL TOLERANCES (UNLESS SPECIFIED)	DIMENSION UNITS
▽ = 0		ANGULAR TOL ± 0.5 °	mm
▽ = 0		4 PLACES ±	SCALE
▼ = 0		3 PLACES ±	4:1
▽ = 0		2 PLACES ± 0.13	DRWN BY
⊠ = 0		1 PLACE ± 0.25	DVARVARA
■ = 0		0 PLACES ±	DATE
▽ = 0		DRAFT WHERE APPLICABLE MUST REMAIN WITHIN DIMENSIONS	2012/09/06
			CHK'D BY
			PRAMASWAMY
		DATE	
		2017/10/17	
		APPR BY	
		JBINGHAM	
		DATE	
		2012/09/24	
		DRAWING SIZE	
		C	
		THIRD ANGLE PROJECTION	
		SERIES	
		76849	
		MATERIAL NUMBER	
		SEE CHART	
		CUSTOMER	
		GENERAL MARKET	
		DOCUMENT NUMBER	
		SD-76849-0003	
		DOC TYPE	
		PSD	
		DOC PART	
		001	
		SHEET NUMBER	
		1 OF 3	

MATERIAL NUMBER	# OF COLUMNS	# OF DIFF PAIR	DIM "A"	DIM "B"	MODULE TYPE
76849-980*	8	32	24.3	14.05	END WALL
76849-580*	8	32	22.9	14.05	OPEN WALL



GUIDE RIGHT OPEN END

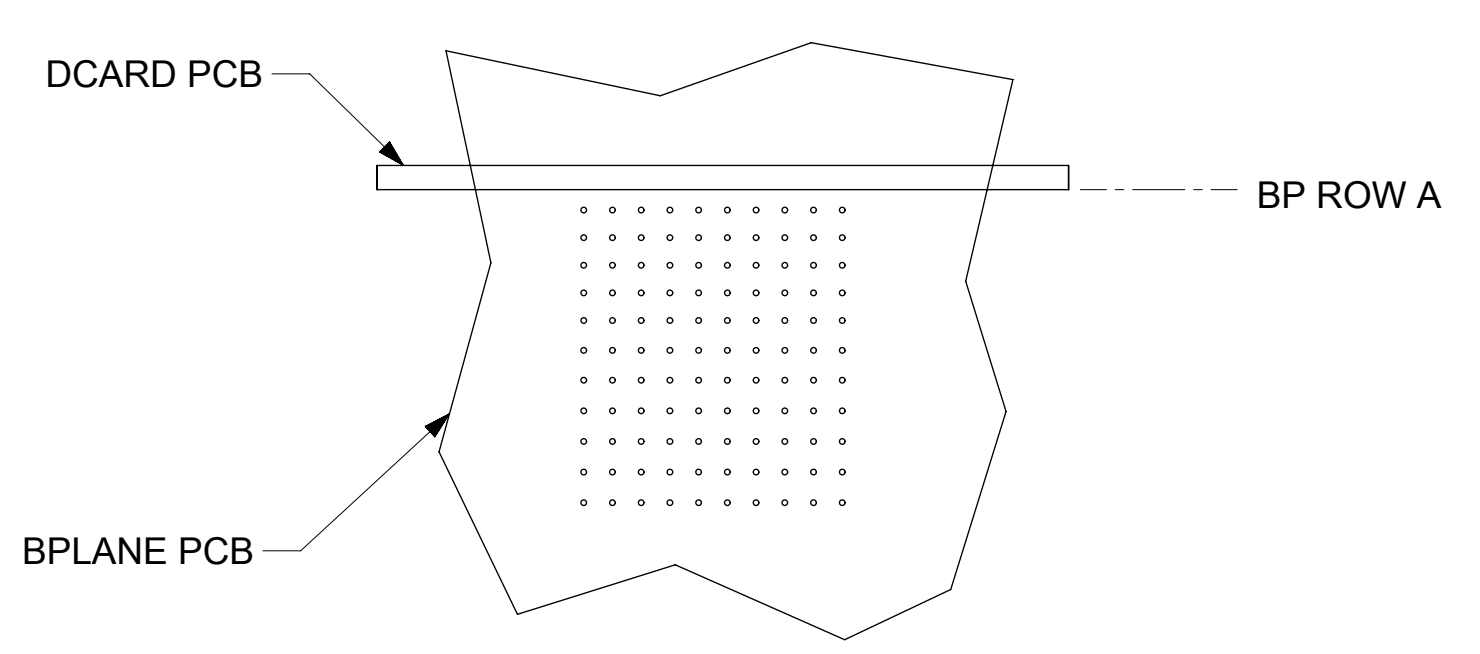
**76849- \* \*0\***

MODULE TYPE  
 5 = GUIDE RIGHT, TIN  
 9 = GUIDE RIGHT END WALL, TIN

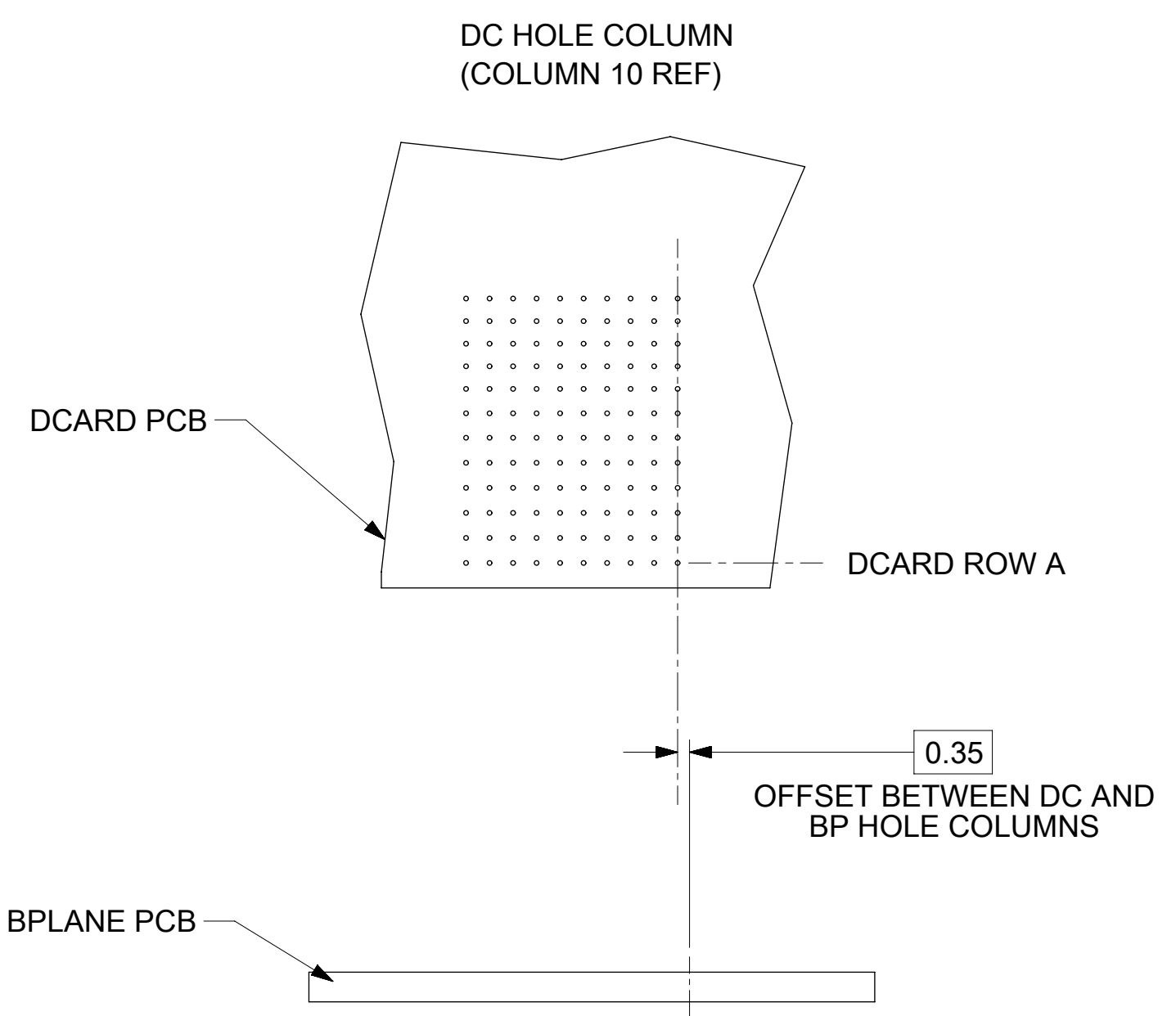
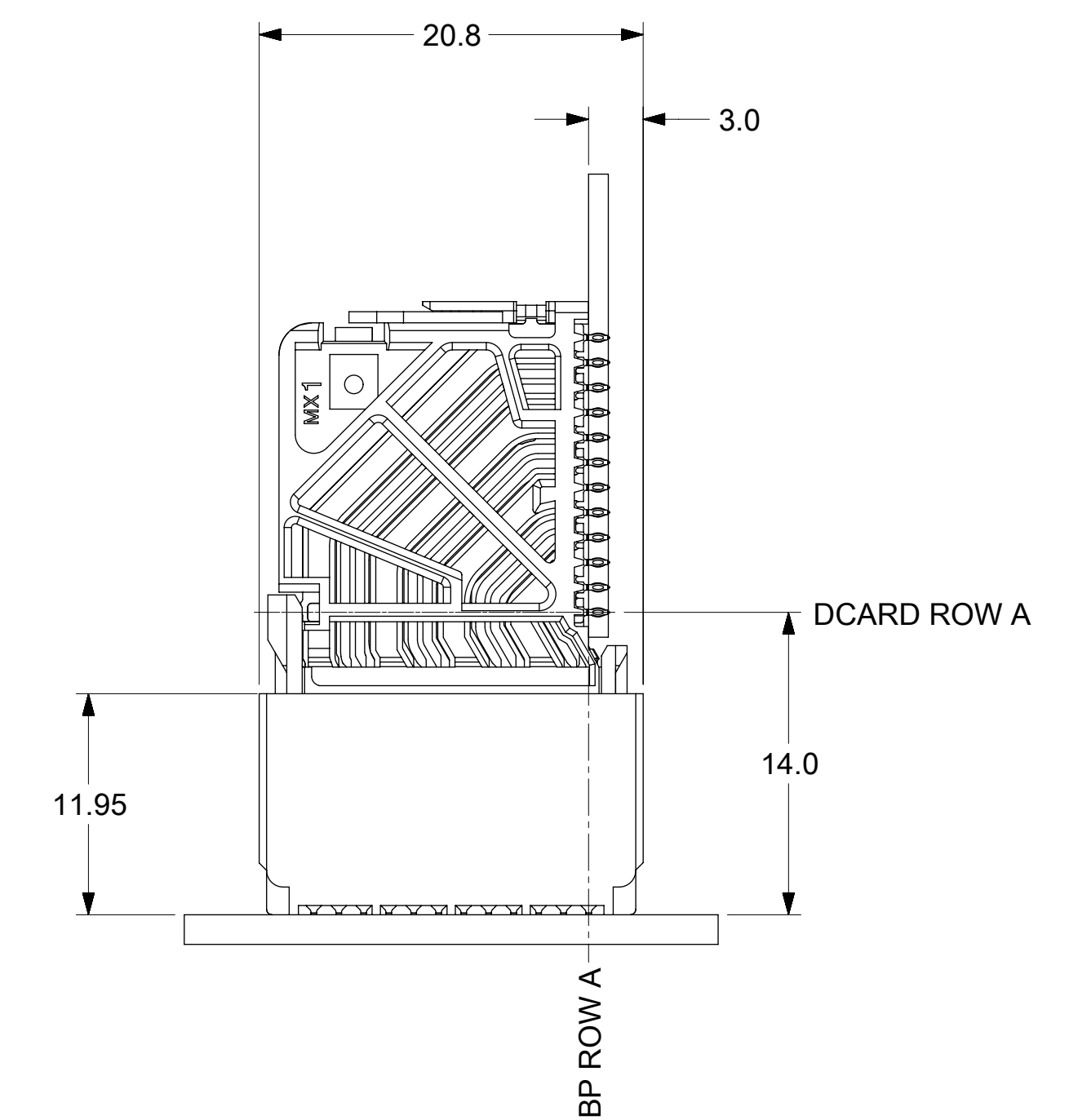
PIN LENGTH (P)  
 4 = 4.90, (0.46 PTH)  
 5 = 5.50, (0.46 PTH)  
 7 = 4.90, (0.39 PTH)  
 8 = 5.50, (0.39 PTH)

# OF COLUMNS  
 8 = 8 COL

QUALITY SYMBOLS		THIS DRAWING CONTAINS INFORMATION THAT IS PROPRIETARY TO MOLEX ELECTRONIC TECHNOLOGIES, LLC AND SHOULD NOT BE USED WITHOUT WRITTEN PERMISSION									
▽ = 0	▽ = 0	MIGRATED TO NX EC NO: 123322 DRWN: NSRVATSAHS 2017/10/10 CHKD: PRAMASWAMY 2017/10/17 REV / APPR: PRAMASWAMY 2017/10/18	GENERAL TOLERANCES (UNLESS SPECIFIED)			DIMENSION UNITS	SCALE	<b>molex</b>			
▽ = 0	▽ = 0		ANGULAR TOL ± 0.5 °			mm	1:1				
▽ = 0	▽ = 0		4 PLACES ±			DRWN BY	DATE	IMPACT ORTHO ROUTABLE 4 PAIR HEADER ASSEMBLY RIGHT GUIDE SALES DWG			
▽ = 0	▽ = 0		3 PLACES ±			DVARVARA	2012/09/06				
▽ = 0	▽ = 0		2 PLACES ± 0.13			CHKD BY	DATE	PRODUCT CUSTOMER DRAWING			
▽ = 0	▽ = 0		1 PLACE ± 0.25			PRAMASWAMY	2017/10/17				
▽ = 0	▽ = 0	0 PLACES ±			APPR BY	DATE	SERIES	MATERIAL NUMBER	CUSTOMER	GENERAL MARKET	
▽ = 0	▽ = 0	DRAFT WHERE APPLICABLE MUST REMAIN WITHIN DIMENSIONS			JBINGHAM	2012/09/24	76849	SEE CHART			
▽ = 0	▽ = 0	A1	DRAWING SIZE	THIRD ANGLE PROJECTION	C	DOCUMENT NUMBER		DOC TYPE	DOC PART	SHEET NUMBER	
			C			SD-76849-0003	PSD	001	2 OF 3		



**IMPACT ORTHO 4 PAIR BOARD RELATIONSHIPS**



QUALITY SYMBOLS ▽ = 0 ▽ = 0 ▽ = 0 ▼ = 0 ▽ = 0 ⊠ = 0 ■ = 0 ▽ = 0		THIS DRAWING CONTAINS INFORMATION THAT IS PROPRIETARY TO MOLEX ELECTRONIC TECHNOLOGIES, LLC AND SHOULD NOT BE USED WITHOUT WRITTEN PERMISSION		DIMENSION UNITS: mm SCALE: 4:1			
EC NO: 123322 DRWN: NSRVATSAHS CHKD: PRAMASWAMY REV: APPR: PRAMASWAMY		GENERAL TOLERANCES (UNLESS SPECIFIED) ANGULAR TOL ± 0.5 ° 4 PLACES ± 3 PLACES ± 2 PLACES ± 0.13 1 PLACE ± 0.25 0 PLACES ±		DRWN BY: DVARVARA DATE: 2012/09/06 CHKD BY: PRAMASWAMY DATE: 2017/10/17 APPR BY: JBINGHAM DATE: 2012/09/24			
MIGRATED TO NX EC NO: 123322 DRWN: NSRVATSAHS CHKD: PRAMASWAMY REV: APPR: PRAMASWAMY		DRAFT WHERE APPLICABLE MUST REMAIN WITHIN DIMENSIONS		DRAWING SIZE: C THIRD ANGLE PROJECTION		DOCUMENT NUMBER: SD-76849-0003 DOC TYPE: PSD DOC PART: 001 SHEET NUMBER: 3 OF 3	