

P/N: 111068XXXX
 S/N: YDDLSSSS
 XM XXAWG

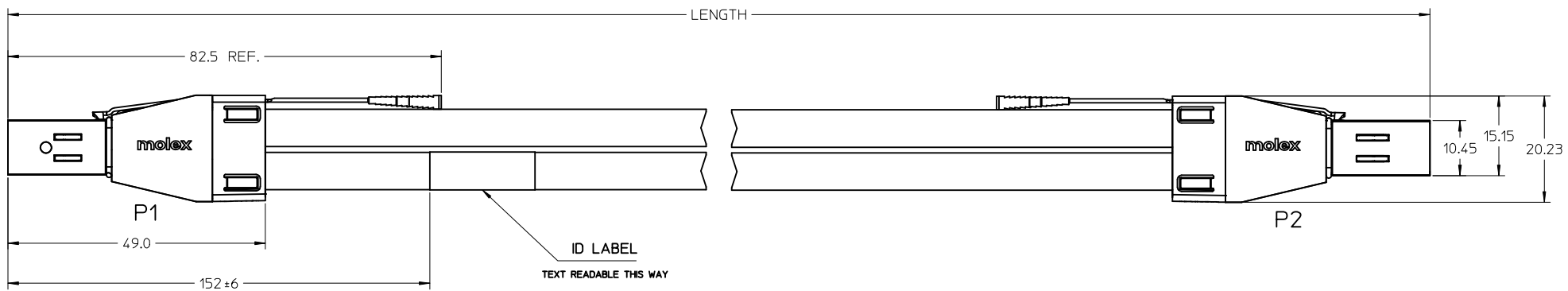
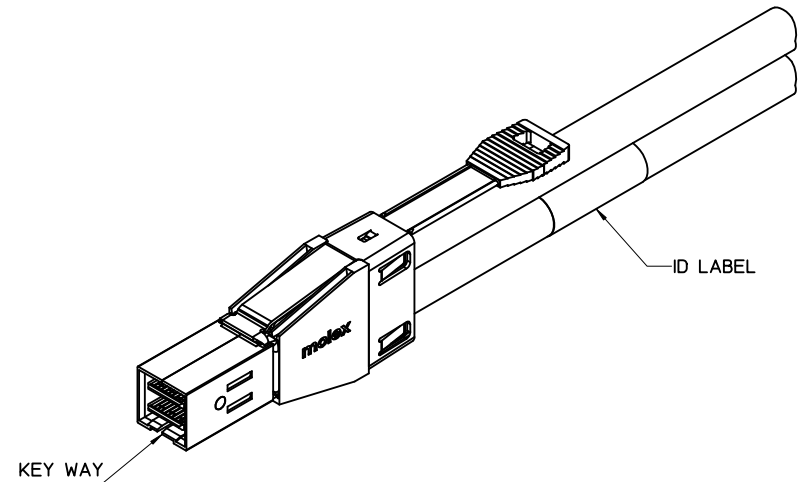
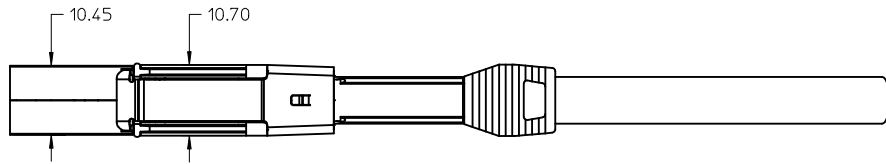
YDDLSSSS
 Y---YEAR, THE LAST DIGIT OF YEAR
 DDD---DAY OF THE YEAR
 L---LOCATION (1 = HPC, 2 = GUAD, 3 = DG)
 SSSS---SERIAL NO.

- NOTES:
- MATERIAL= BACKSHELLS - ZINC DIECAST. LATCH - STAINLESS STEEL. PULL - MOLDED PLASTIC.
 - LENGTH= SEE TABLE.
 - ELECTRICAL PERFORMANCE PER SFF 8644.
 - ALL ASSEMBLIES HAVE AN EEPROM IN ACCORDANCE WITH SFF 8636
 - PLUG MATES TO 1X1, 1X2 AND 1X4 RECEPTACLE - EMI HOUSING ASSEMBLY SERIES 76866.
 - THIS PRODUCT MEETS THE RESTRICTION OF HAZARDOUS SUBSTANCES IN ELECTRICAL AND ELECTRONIC EQUIPMENT (RoHS) DIRECTIVE (2002/95/EC).
 - TAPE CABLE BUNDLES EVERY 1/2 METER (APPROX)

MOLEX P/N	DESCRIPTION	LENGTH
1110681000	X4 MINISAS HD 2.1	0.5M
1110681001	X4 MINISAS HD 2.1	1.0M
1110681002	X4 MINISAS HD 2.1	2.0M
1110681003	X4 MINISAS HD 2.1	3.0M

CLARIFY LABEL INFO EC NO: USY2011-0001 DRWN:JERWIN 2010/07/02 CHKD:BREED 2010/07/02 APPR:DDOYE 2010/07/07	DESCRIPTION REV:	QUALITY SYMBOLS ▽=0 ▽=0	GENERAL TOLERANCES (UNLESS SPECIFIED) <table border="1"> <tr> <th></th> <th>mm</th> <th>INCH</th> </tr> <tr> <td>4 PLACES ±</td> <td>---</td> <td>±---</td> </tr> <tr> <td>3 PLACES ±</td> <td>---</td> <td>±---</td> </tr> <tr> <td>2 PLACES ±</td> <td>0.13</td> <td>±---</td> </tr> <tr> <td>1 PLACE ±</td> <td>0.25</td> <td>±---</td> </tr> </table>		mm	INCH	4 PLACES ±	---	±---	3 PLACES ±	---	±---	2 PLACES ±	0.13	±---	1 PLACE ±	0.25	±---	DIMENSION STYLE MM ONLY	SCALE 1.75:1	DESIGN UNITS METRIC	THIRD ANGLE PROJECTION
			mm	INCH																		
		4 PLACES ±	---	±---																		
		3 PLACES ±	---	±---																		
2 PLACES ±	0.13	±---																				
1 PLACE ±	0.25	±---																				
DRAWN BY BREED	DATE 2009/04/24	TITLE MINISAS HD 2.1 4X CABLE ASSEMBLIES EXTERNAL			MOLEX INCORPORATED	SHEET NO. 1 OF 3																
CHECKED BY DDOYE	DATE 2009/04/24	APPROVED BY DDOYE			DATE 2009/04/24	DOCUMENT NO. SD-111068-1000																
MATERIAL NO. SEE TABLE		DRAFT WHERE APPLICABLE MUST REMAIN WITHIN DIMENSIONS																				

THIS DRAWING CONTAINS INFORMATION THAT IS PROPRIETARY TO MOLEX INCORPORATED AND SHOULD NOT BE USED WITHOUT WRITTEN PERMISSION



P/N: 111068XXXX
S/N: YDDLSSSS
XM XXAWG

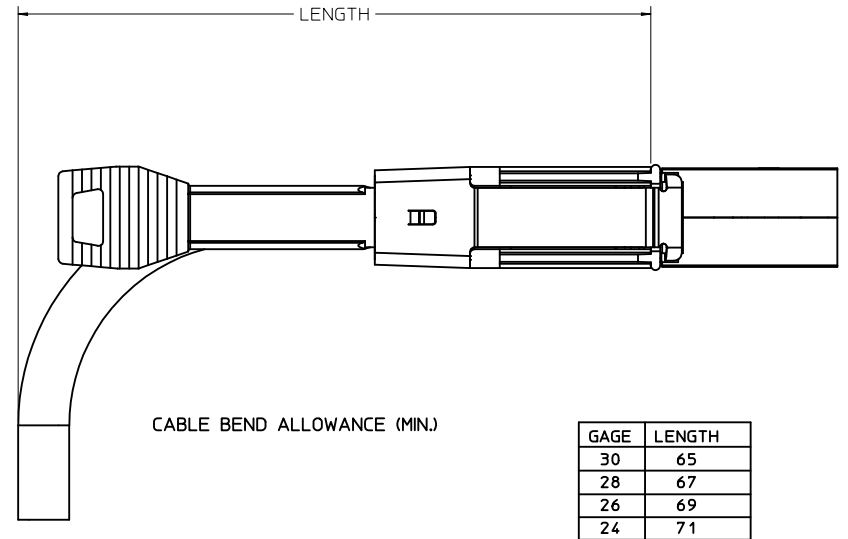
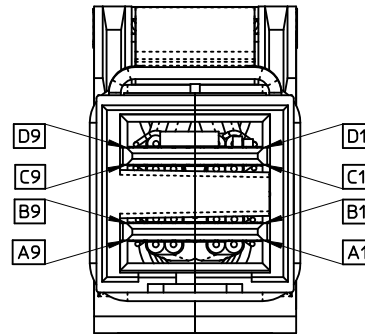
YDDLSSSS
 Y--- YEAR, THE LAST DIGIT OF YEAR
 DDD---DAY OF THE YEAR
 L---LOCATION (1 = HPC, 2 = GUAD, 3 = DG)
 SSSS---SERIAL NO.

MOLEX P/N	DESCRIPTION	LENGTH
1110682000	X4 MINISAS HD 2.1	5.0M
1110682001	X4 MINISAS HD 2.1	7.0M
1110682002	X4 MINISAS HD 2.1	10.0M

CLARIFY LABEL INFO EC NO: USY2011-0001 DRWN:JERWIN 2010/07/02 CHKD:BREED 2010/07/02 APPR:DDOYE 2010/07/07	QUALITY SYMBOLS ▽=0 ▽=0	GENERAL TOLERANCES (UNLESS SPECIFIED)		DIMENSION STYLE MM ONLY	SCALE 1.75:1	DESIGN UNITS METRIC	THIRD ANGLE PROJECTION		
		4 PLACES ± --- ± --- 3 PLACES ± --- ± --- 2 PLACES ± 0.13 ± --- 1 PLACE ± 0.25 ± ---	mm INCH	DRAWN BY BREED	DATE 2009/04/24	TITLE MINISAS HD 2.1 4X CABLE ASSEMBLIES EXTERNAL			
		ANGULAR ± 2 °		CHECKED BY DDOYE	DATE 2009/04/24	MOLEX INCORPORATED			
		DRAFT WHERE APPLICABLE MUST REMAIN WITHIN DIMENSIONS		APPROVED BY DDOYE	DATE 2009/04/24	MATERIAL NO. SEE TABLE	DOCUMENT NO. SD-111068-1000	SHEET NO. 2 OF 3	

THIS DRAWING CONTAINS INFORMATION THAT IS PROPRIETARY TO MOLEX INCORPORATED AND SHOULD NOT BE USED WITHOUT WRITTEN PERMISSION

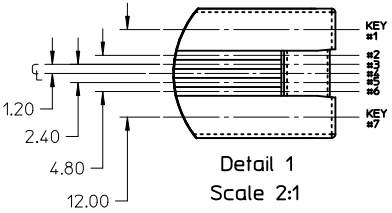
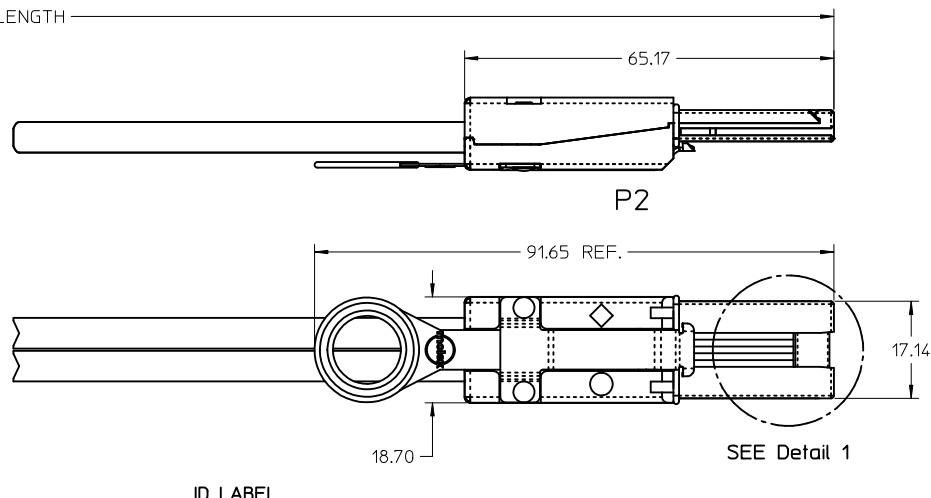
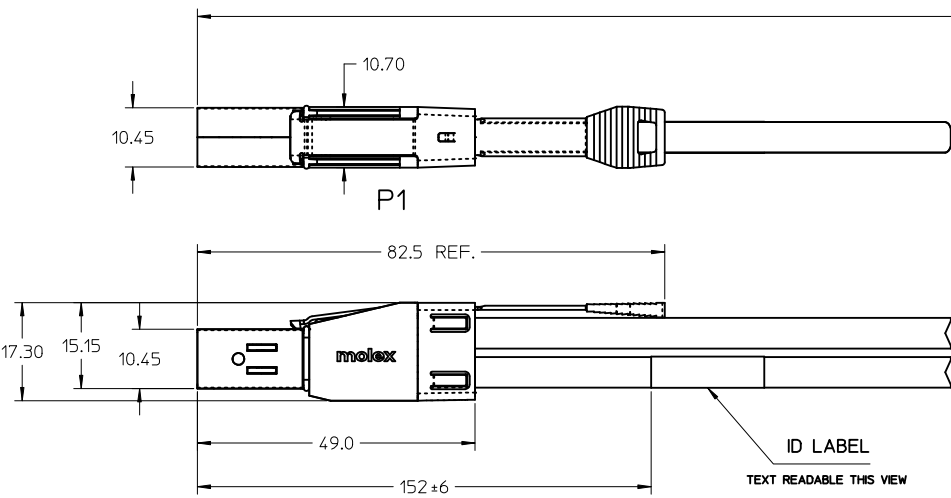
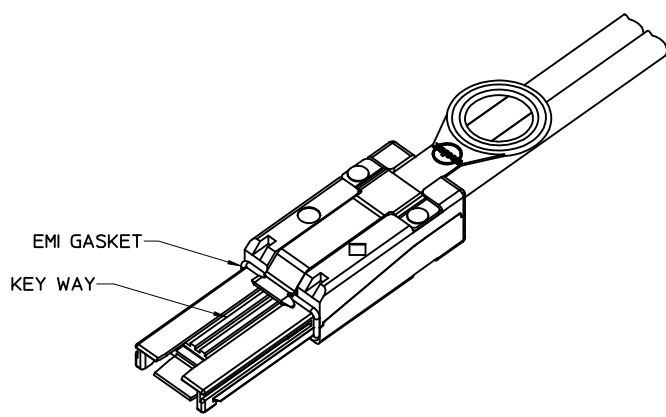
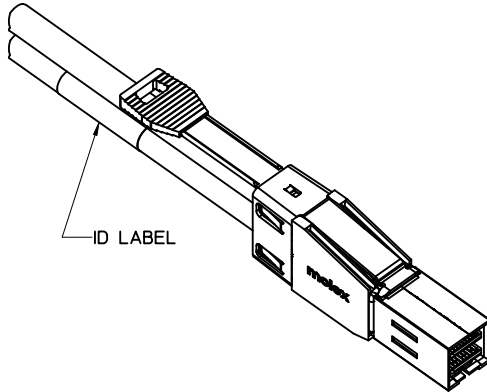
MINISAS HD WIRING CHART			
	-P1-		-P2-
GND	D9	—————	B9 GND
Tx2-	D8	—————▶	B8 Rx2-
Tx2+	D7	—————▶	B7 Rx2+
GND	D6	—————	B6 GND
Tx0-	D5	—————▶	B5 Rx0-
Tx0+	D4	—————▶	B4 Rx0+
GND	D3	—————	B3 GND
Vman	D2**	—————	**B2 ModPrsL
Vact	D1**	—————	**B1 Vact
SCL	C1**	—————	**A1 Rsv
SDA	C2**	—————	**A2 IntL
GND	C3	—————	A3 GND
Tx1+	C4	—————▶	A4 Rx1+
Tx1-	C5	—————▶	A5 Rx1-
GND	C6	—————	A6 GND
Tx3+	C7	—————▶	A7 Rx3+
Tx3-	C8	—————▶	A8 Rx3-
GND	C9	—————	A9 GND
GND	B9	—————	D9 GND
Rx2-	B8	◀—————	D8 Tx2-
Rx2+	B7	◀—————	D7 Tx2+
GND	B6	—————	D6 GND
Rx0-	B5	◀—————	D5 Tx0-
Rx0+	B4	◀—————	D4 Tx0+
GND	B3	—————	D3 GND
ModPrsL	B2**	—————	**D2 Vman
Vact	B1**	—————	**D1 Vact
Rsv	A1**	—————	**C1 SCL
IntL	A2**	—————	**C2 SDA
GND	A3	—————	C3 GND
Rx1+	A4	◀—————	C4 Tx1+
Rx1-	A5	◀—————	C5 Tx1-
GND	A6	—————	C6 GND
Rx3+	A7	◀—————	C7 Tx3+
Rx3-	A8	◀—————	C8 Tx3-
GND	A9	—————	C9 GND



** RESERVED FOR POWER AND MANAGEMENT INTERFACE

CLARIFY LABEL INFO EC NO: USY2011-0001 DRWN: JERWIN 2010/07/02 CHKD: BREED 2010/07/02 APPR: DDOYE 2010/07/07	QUALITY SYMBOLS ▽=0 ▽=0	GENERAL TOLERANCES (UNLESS SPECIFIED)		DIMENSION STYLE MM ONLY		SCALE 5:1	DESIGN UNITS METRIC	THIRD ANGLE PROJECTION		
		4 PLACES ± --- ± ---	3 PLACES ± --- ± ---	2 PLACES ± 0.13 ± ---	1 PLACE ± 0.25 ± ---	DRAWN BY BREED	DATE 2009/04/24	TITLE MINISAS HD 2.1 4X CABLE ASSEMBLIES EXTERNAL		
		ANGULAR ± 2 °				CHECKED BY DDOYE	DATE 2009/04/24	MOLEX INCORPORATED		
		DRAFT WHERE APPLICABLE MUST REMAIN WITHIN DIMENSIONS				APPROVED BY DDOYE	DATE 2009/04/24	MATERIAL NO. SEE TABLE	DOCUMENT NO. SD-111068-1000	SHEET NO. 3 OF 3

THIS DRAWING CONTAINS INFORMATION THAT IS PROPRIETARY TO MOLEX INCORPORATED AND SHOULD NOT BE USED WITHOUT WRITTEN PERMISSION



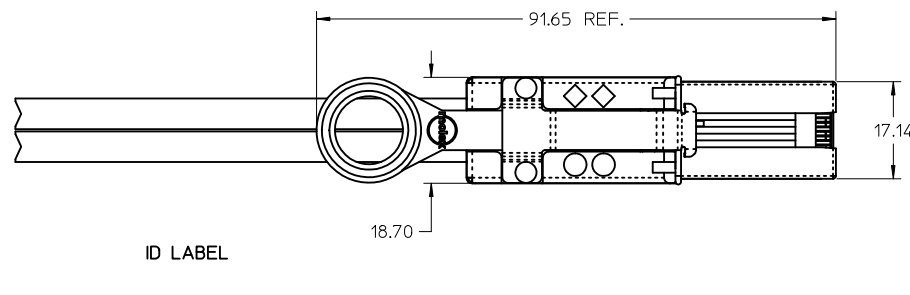
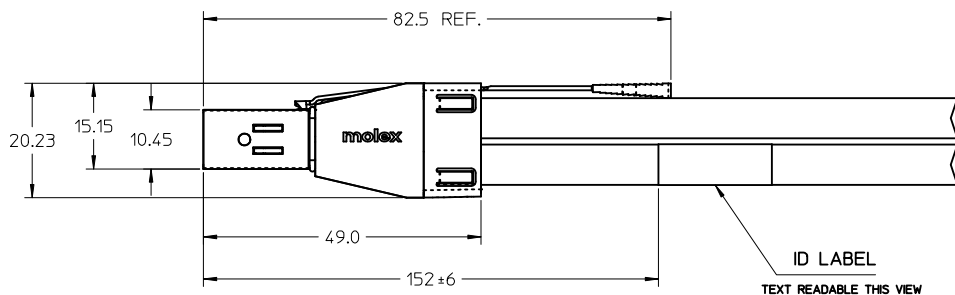
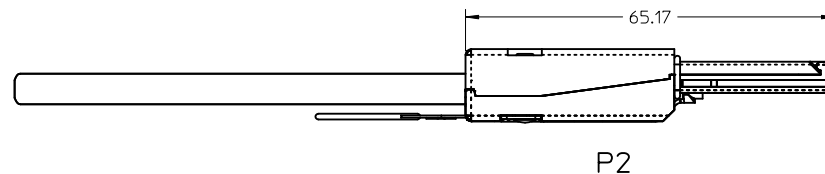
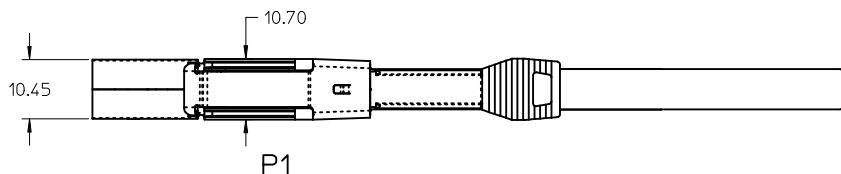
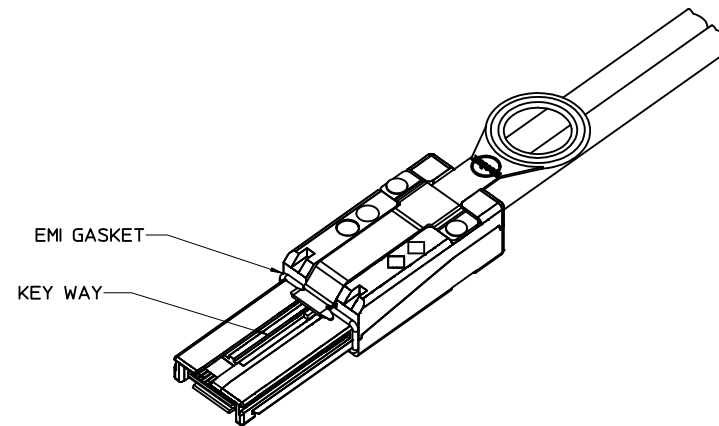
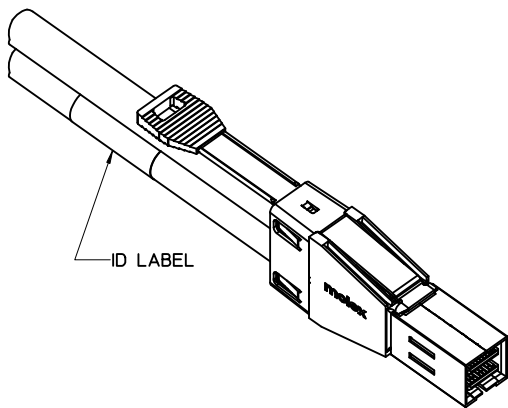
P/N: 111068XXXX
S/N: YDDLSSSS
XM XXAWG

YDDLSSSS
Y--- YEAR, THE LAST DIGIT OF YEAR
DDD---DAY OF THE YEAR
L---LOCATION (1 = HPC, 2 = GUAD, 3 = DG)
SSSS---SERIAL NO.

- NOTES:
1. MATERIAL - BACKSHELLS - ZINC DIECAST. LATCH - STAINLESS STEEL. PULL - MOLDED PLASTIC.
 2. LENGTH- SEE TABLE.
 3. ELECTRICAL PERFORMANCE PER SAS 2.1.
 4. ALL ASSEMBLIES HAVE AN EEPROM IN ACCORDANCE WITH SFF 8636.
 5. HD PLUG MATES TO 1X1, 1X2 AND 1X4 RECEPTACLE - EMI HOUSING ASSEMBLY SERIES 76866.
 6. MINI-SAS PLUG MATES TO RECEPTACLE 75586-0004, AND EMI HOUSING ASSEMBLY, 74548 SERIES.
 7. THIS PRODUCT MEETS THE RESTRICTION OF HAZARDOUS SUBSTANCES IN ELECTRICAL AND ELECTRONIC EQUIPMENT (RoHS) DIRECTIVE (2002/95/EC).

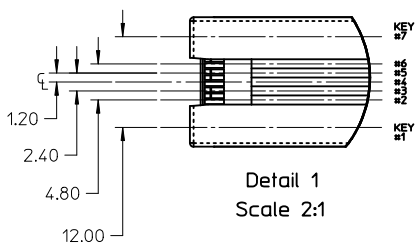
MOLEX P/N	DESCRIPTION	LENGTH	KEY	IDENTIFER
1110683000	X4 MINISAS 2.0 TO MINISAS HD 2.1	0.5M	2'4'6	UNIVERSIAL KEY, SAS
1110683001	X4 MINISAS 2.0 TO MINISAS HD 2.1	1.0M	2'4'6	UNIVERSIAL KEY, SAS
1110683002	X4 MINISAS 2.0 TO MINISAS HD 2.1	2.0M	2'4'6	UNIVERSIAL KEY, SAS
1110683003	X4 MINISAS 2.0 TO MINISAS HD 2.1	3.0M	2'4'6	UNIVERSIAL KEY, SAS

CLARIFY LABEL INFO EC NO: USY2011-0001 DRWN: JERWIN 2010/07/02 CHKD: BREED 2010/07/02 APPR: DDOYE 2010/07/07	QUALITY SYMBOLS ▽=0 ▽=0	GENERAL TOLERANCES (UNLESS SPECIFIED) mm INCH 4 PLACES ± --- ± --- 3 PLACES ± --- ± --- 2 PLACES ± 0.13 ± --- 1 PLACE ± 0.25 ± --- ANGULAR ± 2 °	DIMENSION STYLE MM ONLY DRAWN BY DATE JERWIN 2009/07/07 CHECKED BY DATE BREED 2009/07/07 APPROVED BY DATE DDOYE 2009/07/07	SCALE 1.5:1 DESIGN UNITS METRIC THIRD ANGLE PROJECTION	
		DRAFT WHERE APPLICABLE MUST REMAIN WITHIN DIMENSIONS			TITLE MINISAS HD TO MINISAS 4X CABLE ASSEMBLIES EXTERNAL
		MATERIAL NO. SEE CHART		MOLEX INCORPORATED DOCUMENT NO. SD-111068-3000	
		THIS DRAWING CONTAINS INFORMATION THAT IS PROPRIETARY TO MOLEX INCORPORATED AND SHOULD NOT BE USED WITHOUT WRITTEN PERMISSION			



P/N: 111068XXXX
S/N: YDDDLSSSS
XM XXAWG

YDDDLSSSS
Y--- YEAR, THE LAST DIGIT OF YEAR
DDD---DAY OF THE YEAR
L---LOCATION (1 = HPC, 2 = GUAD, 3 = DG)
SSSS---SERIAL NO.



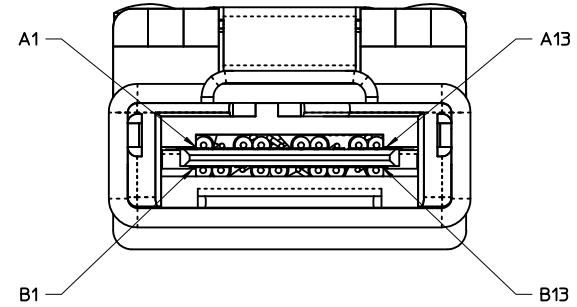
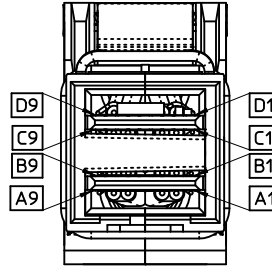
Detail 1
Scale 2:1

MOLEX P/N	DESCRIPTION	LENGTH	KEY	IDENTIFER
1110683005	X4 MINISAS 2.0 TO MINISAS HD 2.1	5.0M	2'4'6	UNIVERSIAL KEY, SAS
1110683007	X4 MINISAS 2.0 TO MINISAS HD 2.1	7.0M	2'4'6	UNIVERSIAL KEY, SAS 2.0
1110683010	X4 MINISAS 2.0 TO MINISAS HD 2.1	10.0M	2'4'6	UNIVERSIAL KEY, SAS 2.0

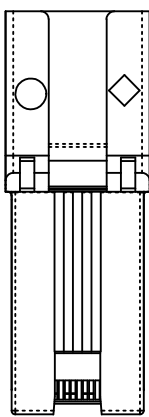
CLARIFY LABEL INFO EC NO: USY2011-0001 DRWN: JERWIN 2010/07/02 CHKD: BREED 2010/07/02 APPR: DDOYE 2010/07/07	QUALITY SYMBOLS ▽=0 ▽=0	GENERAL TOLERANCES (UNLESS SPECIFIED) <table border="1"> <tr> <td></td> <td>mm</td> <td>INCH</td> </tr> <tr> <td>4 PLACES</td> <td>± .13</td> <td>± .005</td> </tr> <tr> <td>3 PLACES</td> <td>± .13</td> <td>± .005</td> </tr> <tr> <td>2 PLACES</td> <td>± 0.13</td> <td>± .005</td> </tr> <tr> <td>1 PLACE</td> <td>± 0.25</td> <td>± .010</td> </tr> </table>		mm	INCH	4 PLACES	± .13	± .005	3 PLACES	± .13	± .005	2 PLACES	± 0.13	± .005	1 PLACE	± 0.25	± .010	DIMENSION STYLE MM ONLY DRAWN BY DATE JERWIN 2009/07/07 CHECKED BY DATE BREED 2009/07/07 APPROVED BY DATE DDOYE 2009/07/07	SCALE 15:1 DESIGN UNITS METRIC THIRD ANGLE PROJECTION	MINISAS HD TO MINISAS 4X CABLE ASSEMBLIES EXTERNAL MOLEX INCORPORATED MATERIAL NO. SD-111068-3000 DOCUMENT NO. SD-111068-3000 SHEET NO. 2 OF 4
		mm	INCH																	
	4 PLACES	± .13	± .005																	
	3 PLACES	± .13	± .005																	
2 PLACES	± 0.13	± .005																		
1 PLACE	± 0.25	± .010																		
DRAFT WHERE APPLICABLE MUST REMAIN WITHIN DIMENSIONS	SEE CHART	THIS DRAWING CONTAINS INFORMATION THAT IS PROPRIETARY TO MOLEX INCORPORATED AND SHOULD NOT BE USED WITHOUT WRITTEN PERMISSION																		

MINISAS HD WIRING CHART

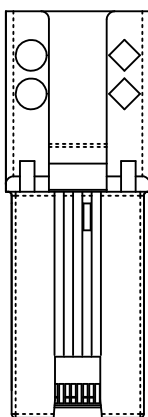
-P1-		-P2-		
GND	D9	→	A1	GND
Tx2-	D8	→	A9	Rx2-
Tx2+	D7	→	A8	Rx2+
GND	D6	-----	A7	GND
Tx0-	D5	→	A3	Rx0-
Tx0+	D4	→	A2	Rx0+
GND	D3	NC		
Vman	D2	NC		
Vact	D1	NC		
SCL	C1	NC		
SDA	C2	NC		
GND	C3	-----	A4	GND
Tx1+	C4	→	A5	Rx1+
Tx1-	C5	→	A6	Rx1-
GND	C6	-----	A10	GND
Tx3+	C7	→	A11	Rx3+
Tx3-	C8	→	A12	Rx3-
GND	C9	-----	A13	GND
GND	B9	-----	B1	GND
Rx2-	B8	←	B9	Tx2-
Rx2+	B7	←	B8	Tx2+
GND	B6	-----	B7	GND
Rx0-	B5	←	B3	Tx0-
Rx0+	B4	←	B2	Tx0+
GND	B3	NC		
ModPrst	B2	NC		
Vact	B1	NC		
Rev	A1	NC		
IntL	A2	NC		
GND	A3	-----	B4	GND
Rx1+	A4	←	B5	Tx1+
Rx1-	A5	←	B6	Tx1-
GND	A6	-----	B10	GND
Rx3+	A7	←	B11	Tx3+
Rx3-	A8	←	B12	Tx3-
GND	A9	-----	B13	GND



CLARIFY LABEL INFO EC NO: USY2011-0001 DRWN: JERWIN 2010/07/02 CHKD: BREED 2010/07/02 APPR: DDOYE 2010/07/07	QUALITY SYMBOLS ▽=0 ▽=0	GENERAL TOLERANCES (UNLESS SPECIFIED)		DIMENSION STYLE MM ONLY	SCALE 5:1	DESIGN UNITS METRIC	THIRD ANGLE PROJECTION		
		4 PLACES ± --- ± --- 3 PLACES ± --- ± --- 2 PLACES ± 0.13 ± --- 1 PLACE ± 0.25 ± ---	mm INCH	DRAWN BY DATE JERWIN 2009/07/07	CHECKED BY DATE BREED 2009/07/07	MINISAS HD TO MINISAS 4X CABLE ASSEMBLIES EXTERNAL			
		ANGULAR ± 2 °		APPROVED BY DATE DDOYE 2009/07/07	MATERIAL NO. SEE CHART				
		DRAFT WHERE APPLICABLE MUST REMAIN WITHIN DIMENSIONS		SIZE C		THIS DRAWING CONTAINS INFORMATION THAT IS PROPRIETARY TO MOLEX INCORPORATED AND SHOULD NOT BE USED WITHOUT WRITTEN PERMISSION			

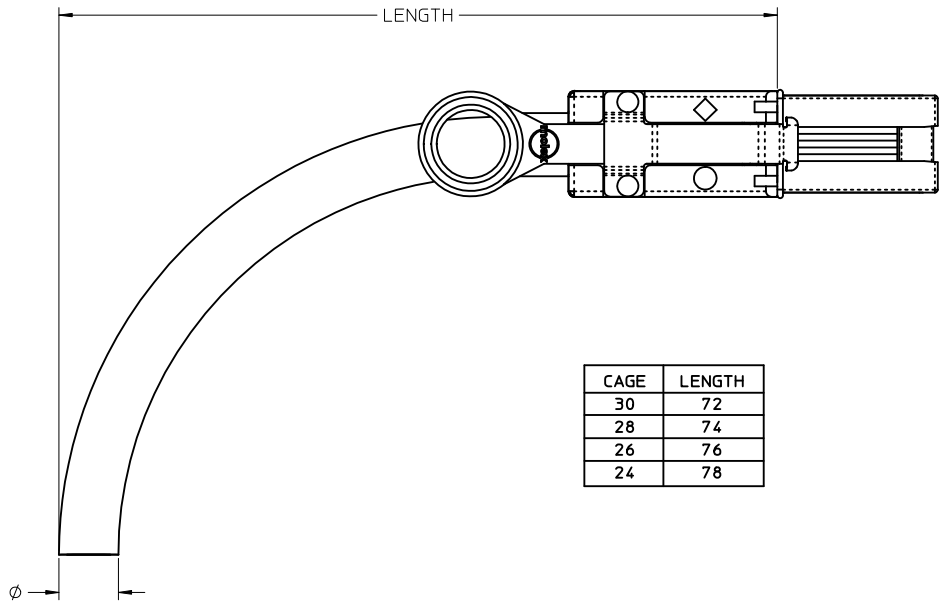


0.5M THRU 6.0M
SAS 1.1 & 2.0

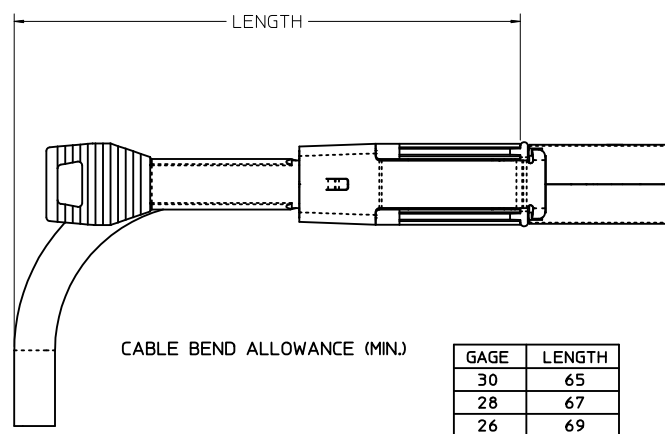


RAISED KEY 3
7.0M THRU 10.0M
SAS 2.0

UNIVERSAL KEY 2,4,6
SHOWN FOR REF.



CAGE	LENGTH
30	72
28	74
26	76
24	78



CABLE BEND ALLOWANCE (MIN.)

GAGE	LENGTH
30	65
28	67
26	69
24	71

CLARIFY LABEL INFO EC NO: USY2011-0001 DRWN: JERWIN 2010/07/02 CHKD: BREED 2010/07/02 APPR: DDOYE 2010/07/07 REV DESCRIPTION	QUALITY SYMBOLS ▽=0 ▽=0	GENERAL TOLERANCES (UNLESS SPECIFIED) <table border="1"> <thead> <tr> <th></th> <th>mm</th> <th>INCH</th> </tr> </thead> <tbody> <tr> <td>4 PLACES</td> <td>± ---</td> <td>± ---</td> </tr> <tr> <td>3 PLACES</td> <td>± ---</td> <td>± ---</td> </tr> <tr> <td>2 PLACES</td> <td>± 0.13</td> <td>± ---</td> </tr> <tr> <td>1 PLACE</td> <td>± 0.25</td> <td>± ---</td> </tr> </tbody> </table> ANGULAR ± 2°		mm	INCH	4 PLACES	± ---	± ---	3 PLACES	± ---	± ---	2 PLACES	± 0.13	± ---	1 PLACE	± 0.25	± ---	DIMENSION STYLE MM ONLY DRAWN BY DATE JERWIN 2009/07/07 CHECKED BY DATE BREED 2009/07/07 APPROVED BY DATE DDOYE 2009/07/07	SCALE 1.5:1 DESIGN UNITS METRIC THIRD ANGLE PROJECTION	TITLE MINISAS HD TO MINISAS 4X CABLE ASSEMBLIES EXTERNAL
		mm	INCH																	
	4 PLACES	± ---	± ---																	
	3 PLACES	± ---	± ---																	
2 PLACES	± 0.13	± ---																		
1 PLACE	± 0.25	± ---																		
MATERIAL NO. SEE CHART	DOCUMENT NO. SD-111068-3000	SHEET NO. 4 OF 4																		
DRAFT WHERE APPLICABLE MUST REMAIN WITHIN DIMENSIONS			MOLEX INCORPORATED																	
SIZE THIS DRAWING CONTAINS INFORMATION THAT IS PROPRIETARY TO MOLEX INCORPORATED AND SHOULD NOT BE USED WITHOUT WRITTEN PERMISSION																				