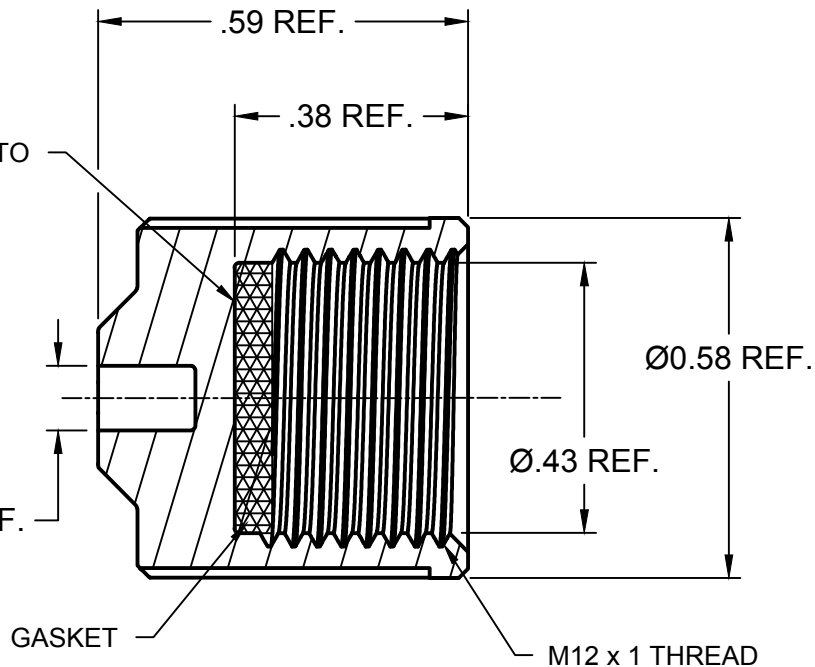


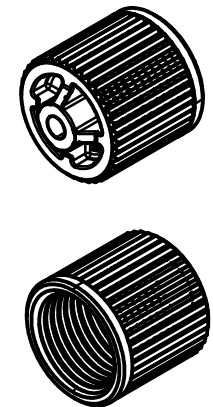
CLOSURE CAP

ADHERE GASKET TO THIS SURFACE



SECTION A-A

M12 x 1 THREAD



SPECIFICATIONS

MATERIALS:

CLOSURE CAP: NYLON, BLACK

GASKET: NEOPRENE RUBBER, BLACK

ENVIRONMENTAL: (B)

TEMPERATURE RATING: -20°C TO +80°C

FLAMMABILITY RATING: UL94 V-0 (CAP ONLY)

NOTES:

1. FOR USE ONLY WITH NON-ACTIVE MALE M12 ULTRA-LOCK
2. GASKET THICKNESS: .062"

ADD NOTES EC NO: IPC2016-0879 DRWN: MZIELINS 2015/12/10 CHKD: BARDEN 2015/12/11 APPR: KIOZWIK 2015/11/09	DESCRIPTION QUALITY SYMBOLS ▽=0 ▽C=0	GENERAL TOLERANCES (UNLESS SPECIFIED)		DIMENSION STYLE IN ONLY		SCALE NTS	DESIGN UNITS INCH	THIRD ANGLE PROJECTION	
			mm	INCH	DRAWN BY MZIELINS	DATE 2015/10/28	TITLE MICRO-CHANGE FEMALE CLOSURE CAP		
		4 PLACES	±---	±---	CHECKED BY RSTONE	DATE 2015/11/04			
		3 PLACES	±---	±---	APPROVED BY JFMURPHY	DATE 2015/11/09	MOLEX INCORPORATED MATERIAL NO. 1200770149 DOCUMENT NO. SD-120077-004 SHEET NO. 1 OF 1		
2 PLACES	±---	±---	DRAFT WHERE APPLICABLE MUST REMAIN WITHIN DIMENSIONS						
1 PLACE	±---	±---	ANGULAR ±---°		THIS DRAWING CONTAINS INFORMATION THAT IS PROPRIETARY TO MOLEX INCORPORATED AND SHOULD NOT BE USED WITHOUT WRITTEN PERMISSION				

6

5

4

3

2

1

E

E

D

D

C

C

B

B

A

A

6

5

4

3

2

1