

MATERIAL NO.	ENGINEERING NO.	FINISHED LENGTH
1300250404	DNF11A-M003	11.8 IN (0.3M)
1300250435	DNF11A-M300	98 FT 5.1 IN (30M)
1300250579	DNF11A-M600	196 FT 10.2 IN (60M)

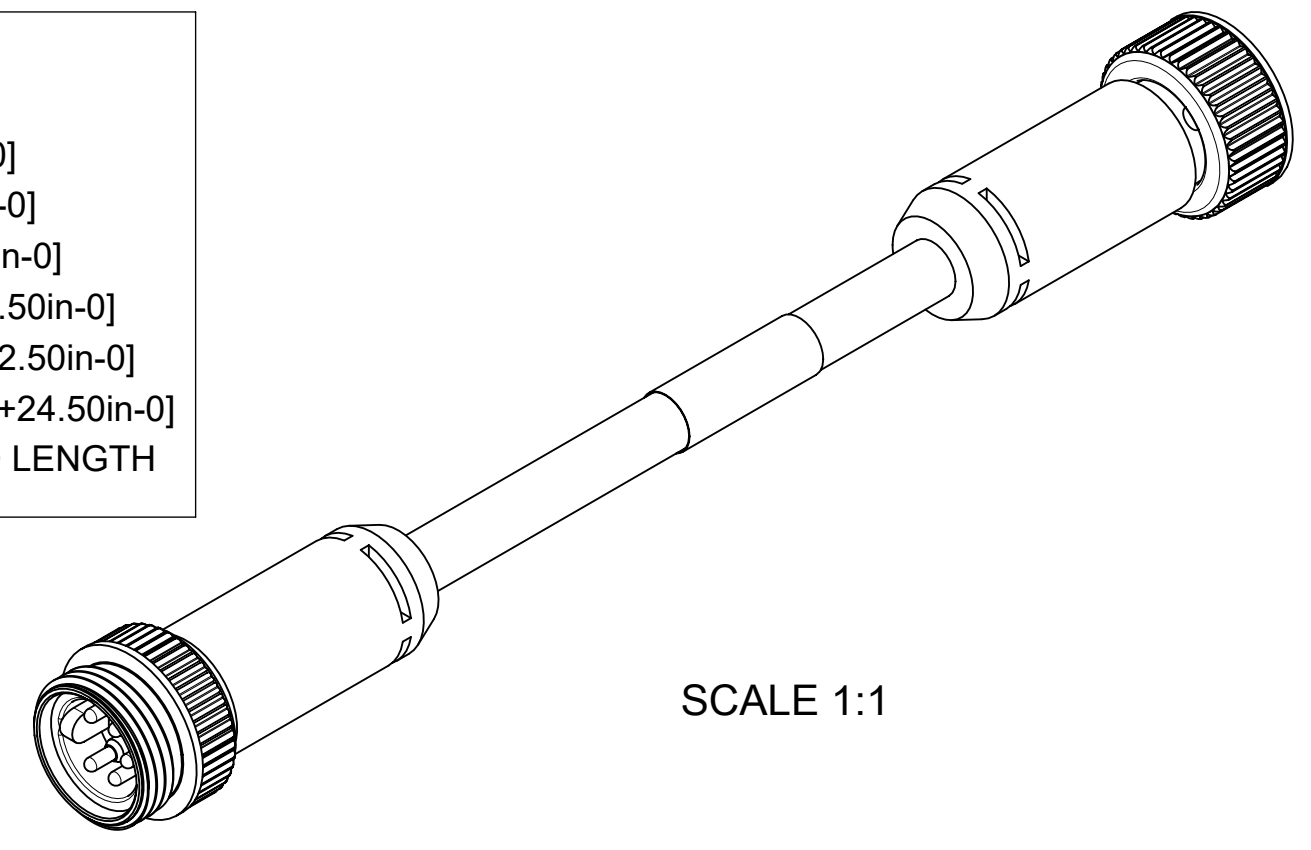
PART NO. MATRIX
DNF11A-M010

FINISHED LENGTH
M005= 0.5 METER
M010= 1 METER
M100= 10 METER

CABLE LENGTH TOLERANCES

<.3M [1FT]:	+19mm-0 [+.75in-0]
.3 - .9M [1 - 3FT]:	+44.5mm-0 [+1.75in-0]
.9 - 1.8M [3 - 6FT]:	+55.6mm-0 [+2.19in-0]
1.8 - 3.7M [6 - 12FT]:	+88.9mm-0 [+3.50in-0]
3.7 - 7.3M [12 - 24FT]:	+165.1mm-0 [+6.50in-0]
7.3-14.6M [24 - 48FT]:	+317.5mm-0 [+12.50in-0]
14.6 - 30.5M [48-100FT]:	+622.3mm-0 [+24.50in-0]
OVER 30M [100FT]:	+2% OF FINISHED LENGTH

- NOTES:**
- MATERIAL: AS NOTED
 - FINISH: AS NOTED
 - ELECTRICAL SPECIFICATIONS
VOLTAGE RATING: 300V PER IEC60664
300V PER UL2238
CURRENT RATING: 8A
 - TEMP RANGE: -20°C TO +80°C
 - PROTECTION: IP67 (WHEN MATED)
 - CSA CERTIFIED FILE: LR6837
 - ALL DIMS ARE FOR REFERENCE UNLESS TOLERANCED OR NOTED OTHERWISE

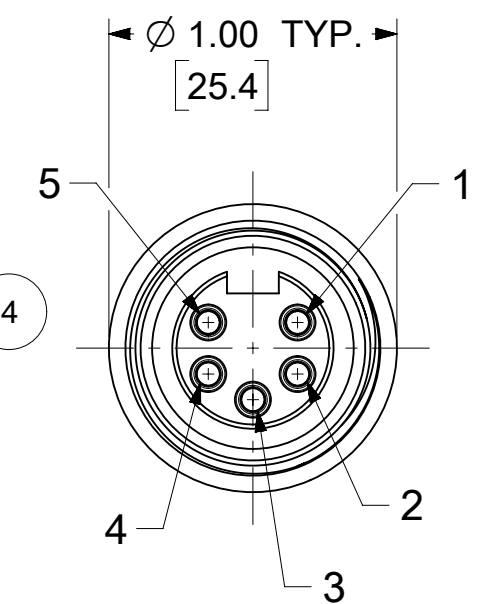
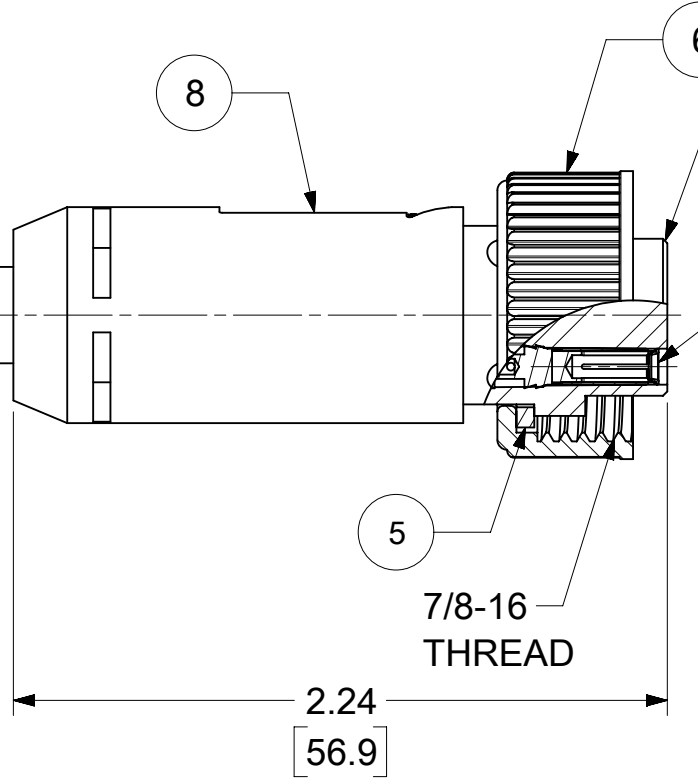
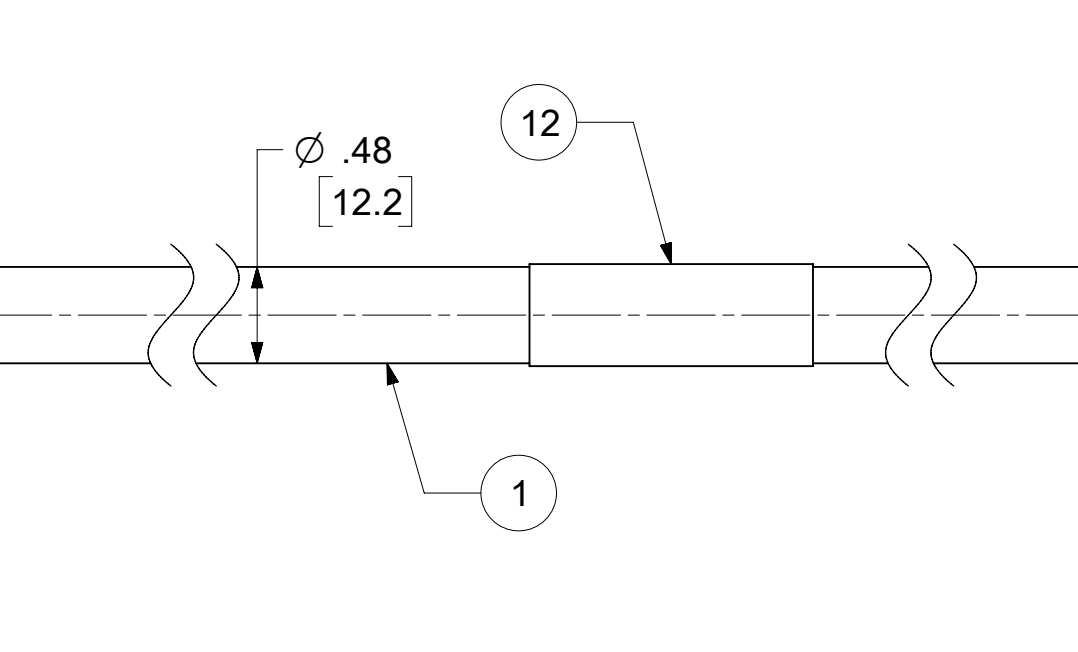
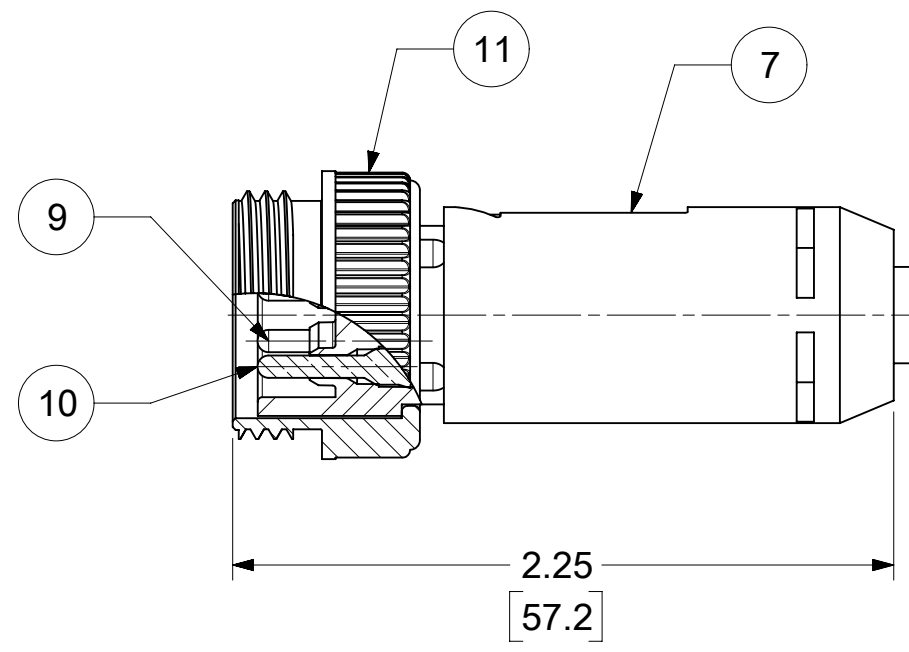
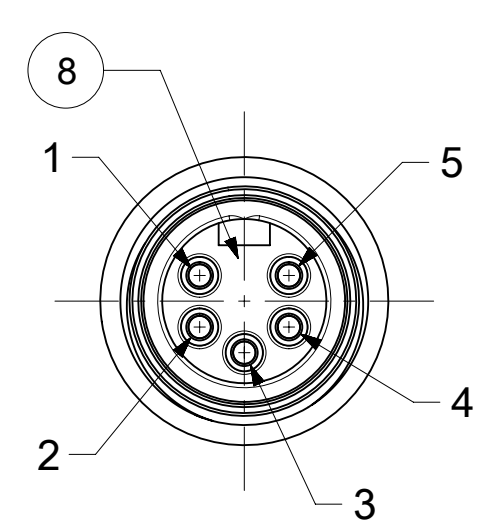
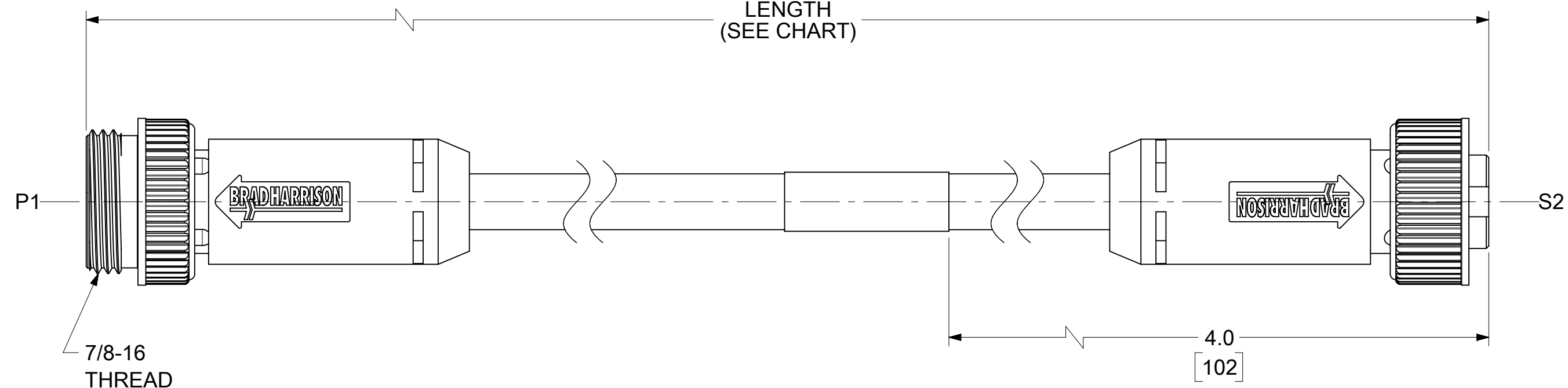


SCALE 1:1

LENGTH
(SEE CHART)

WIRING DIAGRAM

P1		S2
1	DRAIN	1
2	RED +V	2
3	BLACK -V	3
4	WHITE CAN H	4
5	BLUE CAN L	5



12	LABEL	VINYL	BLACK/YELLOW
11	COUPLING NUT, MALE	ZINC DIE CAST	BLACK
10	CONTACT PIN, 18 AWG	COPPER ALLOY	SELECTIVE GOLD/NICKEL
9	CONTACT PIN, 16 AWG	COPPER ALLOY	SELECTIVE GOLD/NICKEL
8	INSERT, MALE, 5 POLE	TPE	BLACK
7	OVERMOLD	TPE	GRAY
6	COUPLING NUT, FEMALE	ZINC DIE CAST	BLACK
5	FRICION RING	NYLON	WHITE
4	CONTACT SOCKET, 18 AWG	COPPER ALLOY	SELECTIVE GOLD/NICKEL
3	CONTACT SOCKET, 16 AWG	COPPER ALLOY	SELECTIVE GOLD/NICKEL
2	INSERT, FEMALE, 5 POLE	TPE	BLACK
1	CABLE - FLEX, DEV-NET, TRUNK, 18/2, 15/2	TPE JACKET	GRAY
ITEM	DESCRIPTION	MATERIAL	FINISH

REF. 3D MODEL 1300250408 PDM

THIS DRAWING CONTAINS INFORMATION THAT IS PROPRIETARY TO MOLEX ELECTRONIC TECHNOLOGIES, LLC AND SHOULD NOT BE USED WITHOUT WRITTEN PERMISSION

FUNCTIONAL SYMBOLS: FA=0, FC=0, FP=0

DIMENSION UNITS: INCH/MM

SCALE: 1.5:1

GENERAL TOLERANCES (UNLESS SPECIFIED):

	MM	INCH
4 PLACES	±	±
3 PLACES	±	±
2 PLACES	±	±
1 PLACE	±	±
0 PLACES	±	±
ANGULAR TOL	± °	

DRAFT WHERE APPLICABLE MUST REMAIN WITHIN DIMENSIONS

THIRD ANGLE PROJECTION

DRAWING: C-SIZE

SERIES: 130025

CURRENT REV DESC: INSERTS WERE GRAY

EC NO: 724806

DRWN: RSTONE

CHK'D: MZIELINSKI

APPR: BWOODMAN

INITIAL REVISION:

DRWN: BRUPERT

APPR: JFMURPHY

DATE: 2022/10/14

DATE: 2022/10/14

DATE: 2022/10/21

DATE: 2009/07/17

DATE: 2009/07/20

PRODUCT CUSTOMER DRAWING

DOCUMENT NUMBER: SD-130025-015

DOC TYPE: PSD

DOC PART: 001

REVISION: D

MATERIAL NUMBER: SEE TABLE

CUSTOMER: GENERAL MARKET

SHEET NUMBER: 1 OF 1