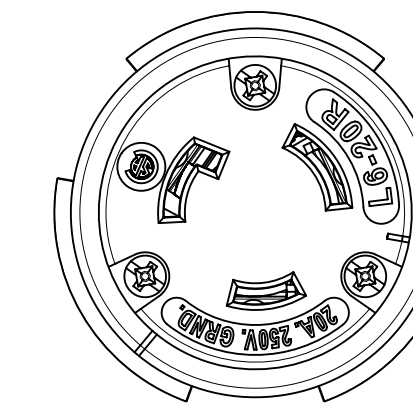
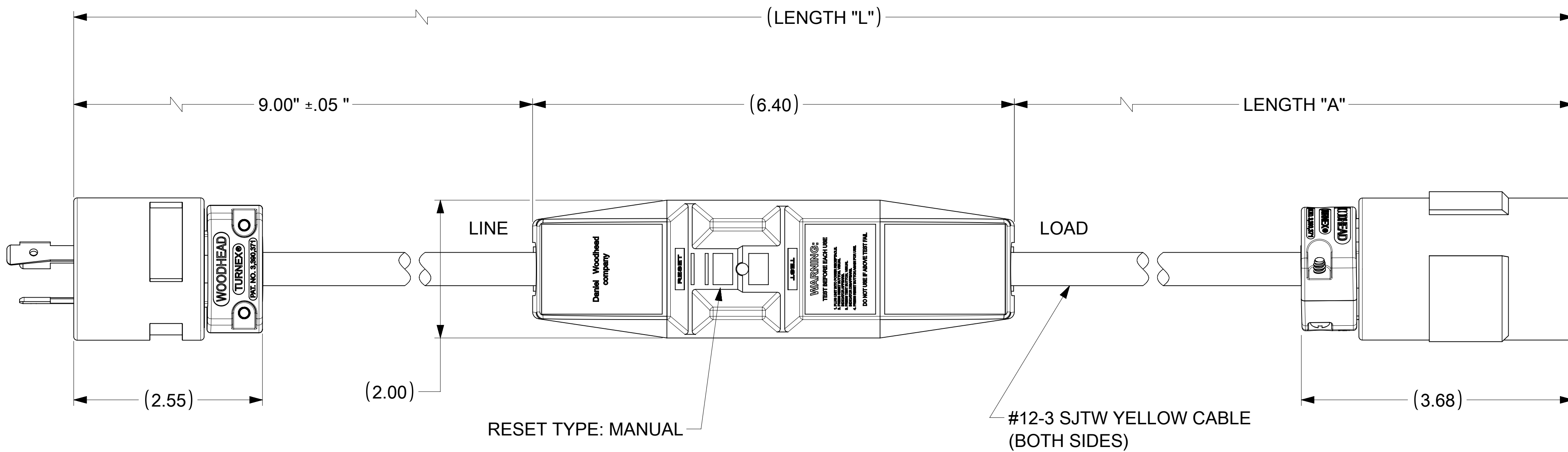
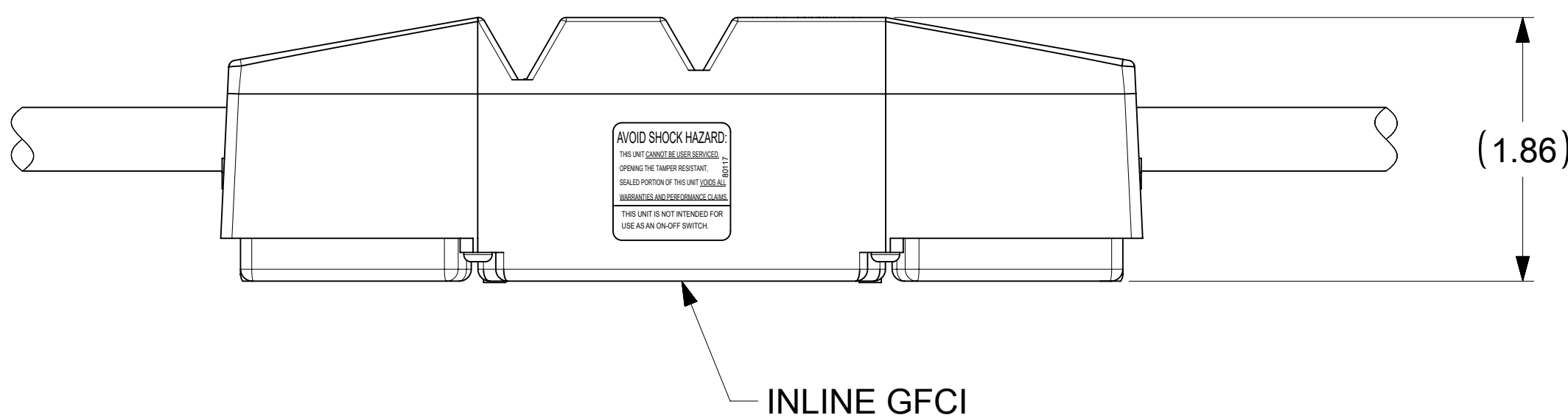


SHOWN AS 2648



SHOWN AS 2748



INLINE GFCI

TECHNICAL

AGENCY APPROVAL:	cULus
RATED SUPPLY VOLTAGE:	240VAC
RATED CURRENT:	UP TO 20 AMPS
RESET TYPE:	MANUAL
OPERATING FREQUENCY:	60 Hz
TYPE:	CLASS A
GROUND TRIP CURRENT:	4-6 mA
OVERLOAD CURRENT:	120 AMP
INSULATION VOLTAGE:	1,500 VRMS - 1 MINUTE
ENDURANCE OPERATIONS:	3000 OPERATIONS

MATERIAL NO.	PART NO.	LENGTH "A"	LENGTH "L"	INPUT PLUG	OUTPUT CONNECTOR	INLINE GFCI P/N
1301530145	20054-1	9.00 IN. ± 0.5"	2 FT. 0.4 IN. ± 1"	2648	2748	30-0905
1301530147	20054-6	5.0 FT. ± 1.0"	6 FT. 3.4 IN. ± 1.5"	2648	2748	30-0906
1301530146	20054-25	24.0 FT. +2.0"/-0.0"	25 FT. 3.4 IN. +2.5"/-0.5"	2648	2748	30-0907

FUNCTIONAL SYMBOLS FA = 0 FC = 0 FD = 0	THIS DRAWING CONTAINS INFORMATION THAT IS PROPRIETARY TO MOLEX ELECTRONIC TECHNOLOGIES, LLC AND SHOULD NOT BE USED WITHOUT WRITTEN PERMISSION					
	DIMENSION UNITS	SCALE	CURRENT REV DESC: NEW SALES DRAWING CREATED			
	INCH	NTS	<p>molex</p> <p>INLINE GFCI 20A, 240V ATTACHABLE W/PLUG & CONN. SUPER-SAFEWAY</p> <p>PRODUCT CUSTOMER DRAWING</p>			
	GENERAL TOLERANCES (UNLESS SPECIFIED)					
DIVISIONAL SYMBOLS	ANGULAR TOL	±	°	EC NO: 688699		
4 PLACES	±			DRWN: PPURSUTANDEL	2021/12/13	
3 PLACES	±			CHK'D: DNGUYEN62	2022/01/19	
2 PLACES	±			APPR: HKNEELAND	2022/01/20	
1 PLACE	±			INITIAL REVISION:		
0 PLACES	±			DRWN: PPURSUTANDEL	2021/12/13	
DRAFT WHERE APPLICABLE MUST REMAIN WITHIN DIMENSIONS		THIRD ANGLE PROJECTION	DRAWING	SERIES	MATERIAL NUMBER	CUSTOMER
			D-SIZE	130153	SEE TABLE	GENERAL MARKET
						SHEET NUMBER
						1 OF 1