

4

3

2

1

THIS DRAWING IS UNPUBLISHED.

RELEASED FOR PUBLICATION

© COPYRIGHT BY TYCO ELECTRONICS CORPORATION. ALL RIGHTS RESERVED.

LOC DW

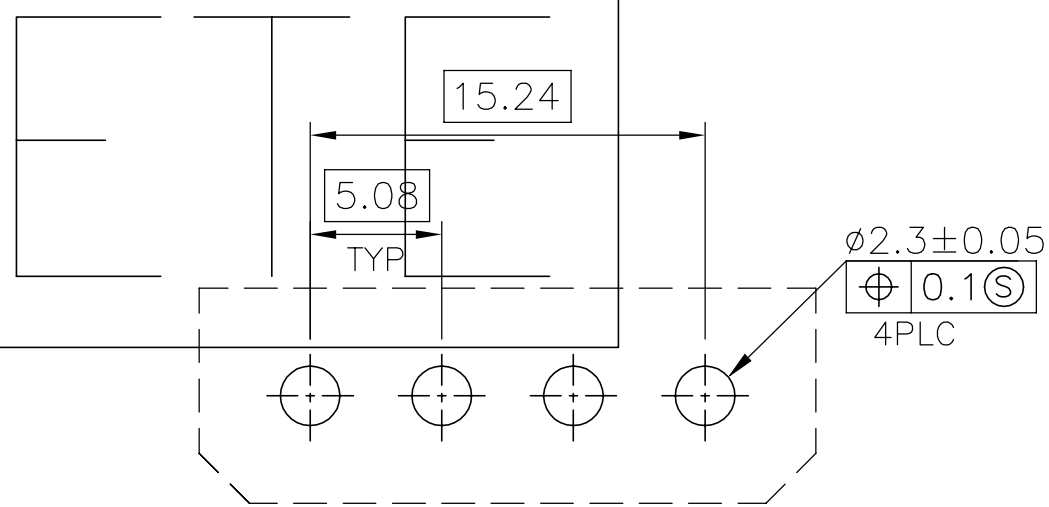
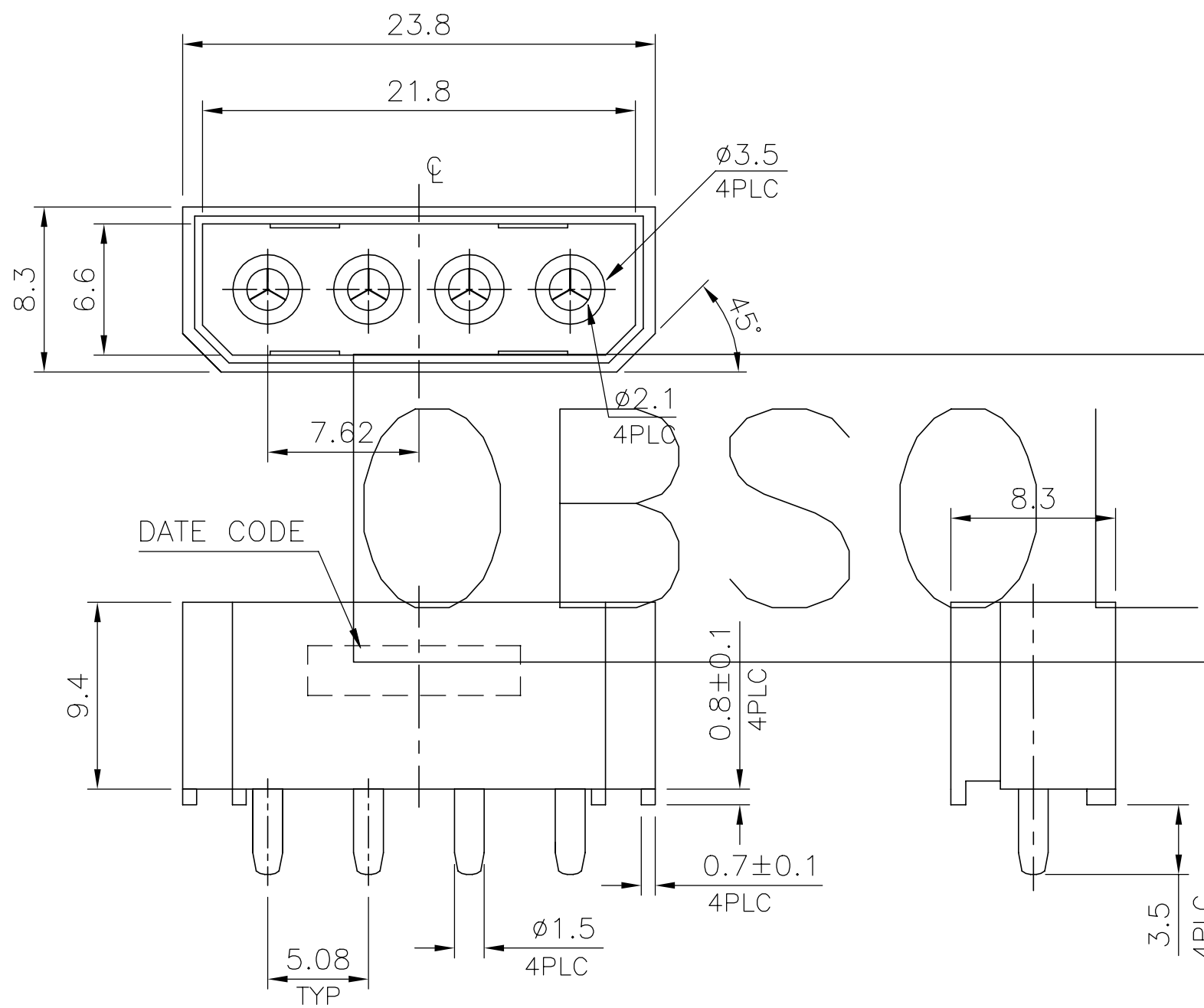
DIST -

REVISIONS

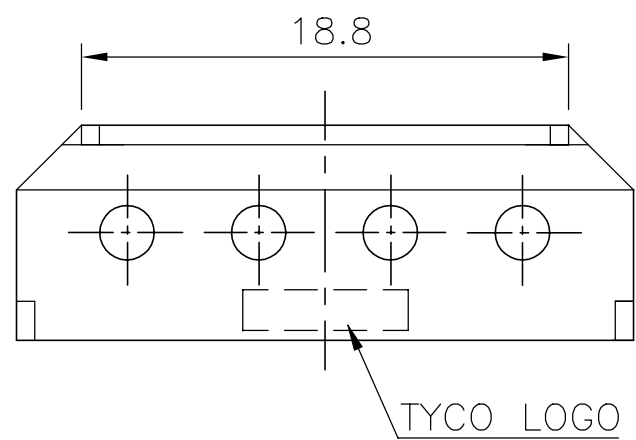
P	LTR	DESCRIPTION	DATE	DWN	APVD
B		REVISED PER ECO-20-010284	28MAY21	DS	HL

NOTES:

- MATERIAL:  
HOUSING: PA66 WITH 25% GF, UL 94V-0, COLOR: IVORY.  
CONTACTS: BRASS.
- FINISH:  
CONTACTS: 2.54um [100u"] MIN. BRIGHT-TIN PLATED,  
1.27um [50u"] MIN. NICKEL UNDERPLATED ALL OVER.
- RECOMMENDED PCB THICKNESS: 1.6mm.
- WAVE SOLDER CAPABLE TO 265°C PER TYCO TEST SPEC.  
109-202, CONDITION B.



TOLERANCE: ±0.05  
RECOMMENDED PCB LAYOUT



1734724-1  
PART NUMBER

THIS DRAWING IS A CONTROLLED DOCUMENT.		DWN J. LEE 16MAR2007	<b>tyco</b> Tyco Holdings (Bermuda)	
DIMENSIONS: MM		CHK S. HOU 16MAR2007	Electronics VII Ltd. Taiwan Branch	
TOLERANCES UNLESS OTHERWISE SPECIFIED:		APVD W.J. KE 16MAR2007	NAME	
0 PLC ± -		PRODUCT SPEC 108-57641	POWER CONNECTOR, 5.08mm PITCH, 4 POS, VERTICAL, DIP	
1 PLC ± 0.30		QUALIFICATION TEST REPORT 501-57747	SIZE A3	RESTRICTED TO -
2 PLC ± 0.25		WEIGHT 1.7 GRAMS	CAGE CODE 00779	DRAWING NO C=1734724
3 PLC ± 0.15		CUSTOMER DRAWING	SCALE -	SHEET 1 OF 2
4 PLC ± -				REV B
ANGLES ± 3'				
MATERIAL SEE NOTE	FINISH SEE NOTE			

4

3

2

1

THIS DRAWING IS UNPUBLISHED.

RELEASED FOR PUBLICATION

---

LOC

DIST

REVISIONS

© COPYRIGHT BY TYCO ELECTRONICS CORPORATION. ALL RIGHTS RESERVED.

DW

P

LTR

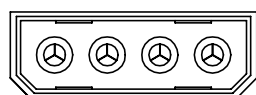
DESCRIPTION

DATE

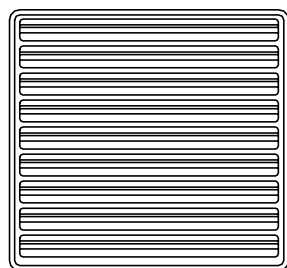
DWN

APVD

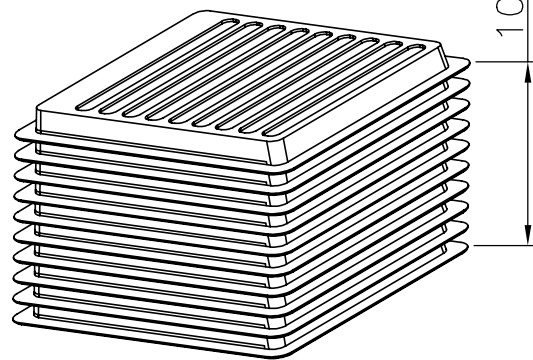
SEE SHEET 1



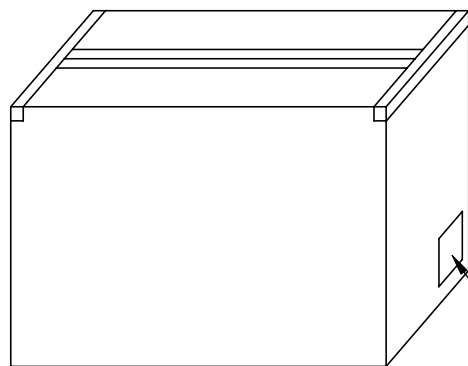
PRODUCT.



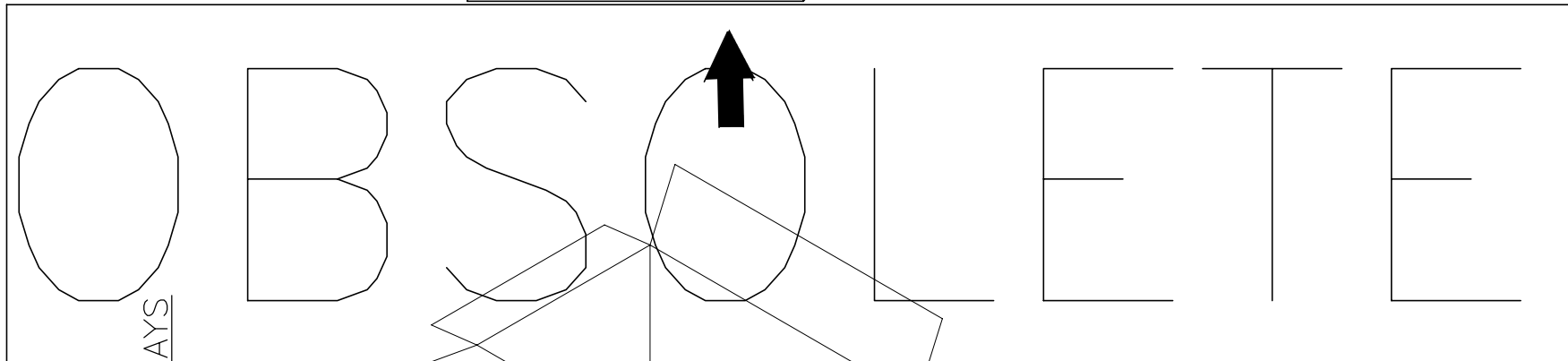
TRAY LAYOUT



10 TRAYS



LABEL



SHIPPING CARTON

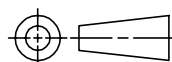
NOTES:

- 1. DIMENSION:  
TRAY: 425 X 280 X 30 mm  
SHIPPING CARTON: 450 X 300 X 300 mm
- 2. QUANTITY:  
(SEE TABLE)
- 3. WEIGHT:  
(SEE TABLE)

8.5 KG	7.3 KG	432	4320
GROSS WEIGHT	NET WEIGHT	PCS/TRAY	PCS/CARTON

THIS DRAWING IS A CONTROLLED DOCUMENT.

DIMENSIONS: MM



MATERIAL

TOLERANCES UNLESS OTHERWISE SPECIFIED:

- 0 PLC ±
- 1 PLC ±
- 2 PLC ±
- 3 PLC ±
- 4 PLC ±
- ANGLES ±
- FINISH

DWN J. LEE 16MAR2007

CHK S. HOU 16MAR2007

APVD W.J. KE 16MAR2007

PRODUCT SPEC

QUALIFICATION TEST REPORT

WEIGHT

CUSTOMER DRAWING



Tyco Holdings (Bermuda)  
VII Ltd. Taiwan Branch

NAME  
POWER CONNECTOR, 5.08mm PITCH,  
4 POS, VERTICAL, DIP

SIZE CAGE CODE DRAWING NO RESTRICTED TO

A3 00779 C=1734724

SCALE SHEET 2 OF 2 REV B