

4

3

2

1


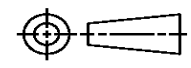
THIS DRAWING IS UNPUBLISHED. RELEASED FOR PUBLICATION
© COPYRIGHT ALL RIGHTS RESERVED.

LOC	DIST	REVISIONS			
P	LTR	DESCRIPTION	DATE	DWN	APVD
	A1	ECR-18-005440	13APR18	GK	SD

REPLACED BY OCEAN STYLE APPLICATOR PART NUMBER 2836495-1

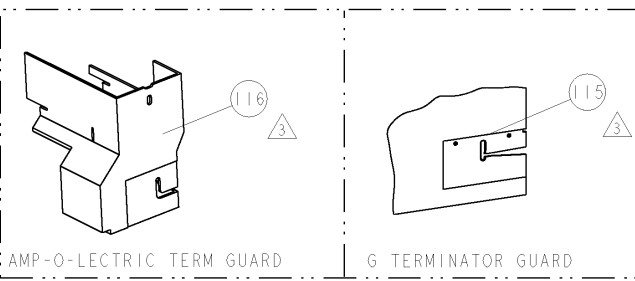
FOR REPLACEMENT PARTS FOR APPLICATOR 1852647
REFER TO ADDITIONAL PAGE(S). SPARE PARTS KIT (IF LISTED)
WILL REMAIN AVAILABLE.

THE REPLACEMENT OCEAN STYLE APPLICATOR HAS THE
SAME TERMINATOR/PRESS INTERFACE AS APPLICATOR
1852647

THIS DRAWING IS A CONTROLLED DOCUMENT.		DWN	GOPALAKRISHNA HV		 TE Connectivity
DIMENSIONS:		CHK	GOPALAKRISHNA HV		
		TOLERANCES UNLESS OTHERWISE SPECIFIED:		NAME	
		0 PLC ±		SIDE FEED HDM APPLICATOR	
		1 PLC ±		PRODUCT SPEC	
		2 PLC ±		APPLICATION SPEC	
		3 PLC ±		SIZE	CAGE CODE
		4 PLC ±		DRAWING NO	
		ANGLES ±		C- 1852647	
MATERIAL		FINISH		RESTRICTED TO	
				WEIGHT	
				A3	
				CUSTOMER DRAWING	
				SCALE	SHEET 1 OF 2
				REV A1	

PART NUMBER	REV	FIRST USED	POWER UNIT	FEED TYPE	DESCRIPTION
1852647-1	A	122500-1	LEADMAKER	POST FEED	CUTS CARRIER
1852647-2	A	565435-5	BENCH MODEL K	PRE FEED	CUTS CARRIER
1852647-3	A	354500-1	BENCH MODEL G	PRE FEED	CUTS CARRIER
1852647-6	A	122500-1	LEADMAKER	POST FEED	CONTINUOUS CARRIER
7-1852647-7	A	-	-	-	SPARE PARTS

- △ RECOMMENDED SPARE PARTS
- △ GREASE LIGHTLY
- △ GUARD MUST BE IN PLACE WHEN OPERATING APPLICATOR IN A BENCH MACHINE
- △ THIS APPLICATOR RUNS INSULATION DIA RANGE 1.118-1.270mm.



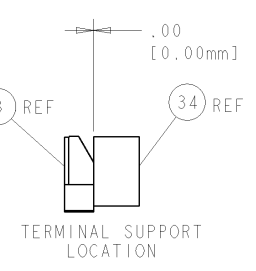
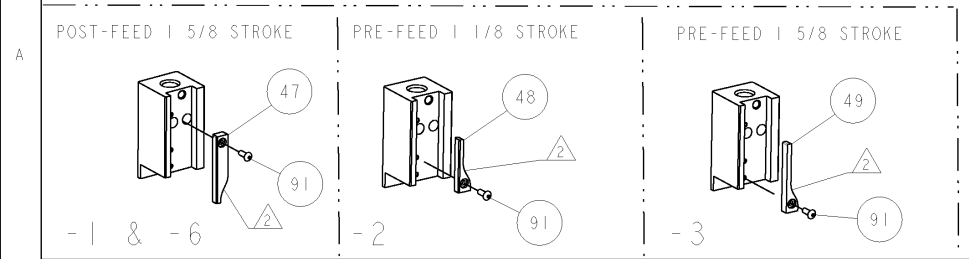
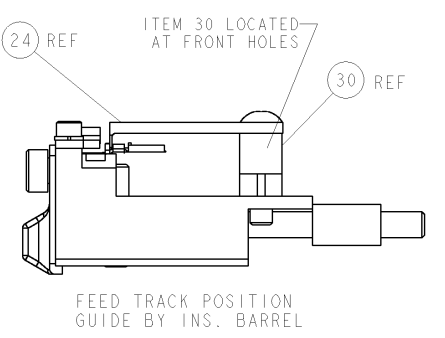
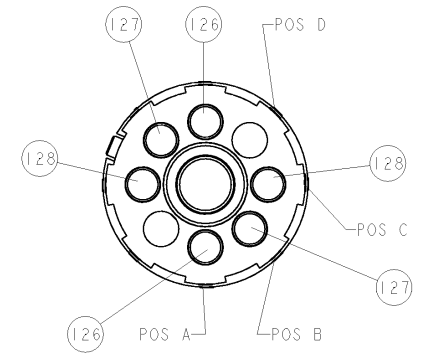
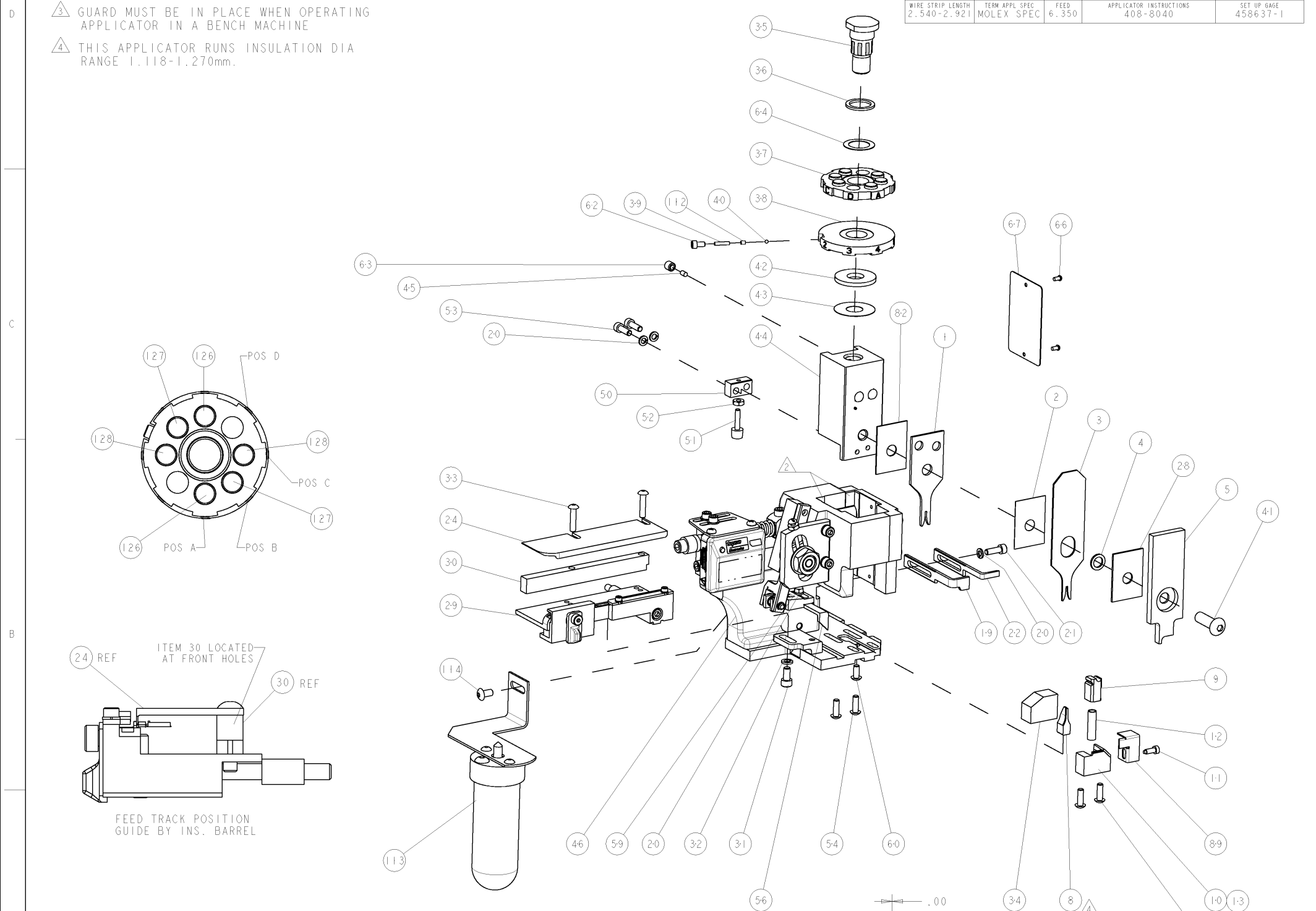
TERMINAL NAME: TERMINAL, MICRO-FIT 3.0	
TE PN	MANUF PN
286975-1	43030-0004
286975-2	43030-0005
286975-3	43030-0006
286976-1	43031-0004
286976-2	43031-0005
286976-3	43031-0006

PAD LTR	CRIMP HEIGHT	WIRE SIZE
A	765mm+.025/-0.025L.030+.001/-0.001	26AWG
B	735mm+.025/-0.025L.029+.001/-0.001	28AWG
C	715mm+.025/-0.025L.028+.001/-0.001	30AWG
D	-	-

CRIMP	SIZE	TYPE	RANGE
-	-	F	30-26 AWG

WIRE STRIP LENGTH	TERM APPL SPEC	FEED	APPLICATOR INSTRUCTIONS	SET UP GAGE
2.540-2.921	MOLEX SPEC	6.350	408-8040	458637-1

REV	DESCRIPTION	DATE	BY	APPV
A	RELEASED	17MAR2008	MEH	TE



-	2	2	2	2	-	4-354779-7	PIN, WIRE DISC, .3225	128
-	2	2	2	2	-	4-354779-6	PIN, WIRE DISC, .3220	127
-	2	2	2	2	-	4-354779-4	PIN, WIRE DISC, .3210	126
△	-	-	REF	-	...	455749-1	GUARD WINDOW	116
△	-	-	REF	-	...	679532-1	INSERT, GUARD	115
-	-	-	-	-	-	2-21002-6	SCR, BTN SKT HD CAP 10-32 X .375	114
-	-	-	-	-	...	1-465184-0	LUBRICATOR ASSY	113
-	1	1	1	1	-	690603-1	SPRING ASSIST AMP-O-MATOR APPLICATOR	112
-	1	1	1	1	-	1-21002-7	SCR, BTN SKT HD CAP 6-32 X .375	91
-	1	1	1	1	-	318563-1	GUARD, FRONT CHIP	89
-	1	1	1	1	-	455888-6	SPACER, CRIMPER	82
-	1	1	1	1	-	4088040	SF APPL INST 408-8040	72
-	1	1	1	1	-	217238-1	GENERAL INSTRUCTION PKG	71
-	1	1	1	1	-	461264-1	PLATE, IDENTIFICATION	67
-	2	2	2	2	-	21017-2	SCREW, DRIVE	66
-	1	1	1	1	-	986950-1	WASHER, FLAT PRECISION	64
-	1	1	1	1	-	21009-2	SCR, SET, SELF LOCKING 1/4-20 X .250	63
-	1	1	1	1	-	23030-1	SCR, SKT HD CAP 6-32 X .25	62
-	1	1	1	1	-	22733-8	SCR, BHSC, SELF-LOCKING, 8-32 X .375	60
-	1	1	1	1	-	2-22603-0	SCR, HEX HD CAP 8-32 X .312	59
-	1	1	1	1	-	458537-2	PAWL, FEED	56
-	4	4	4	4	-	2-21002-2	SCR, BTN SKT HD CAP 8-32 X .500	54
-	2	2	2	2	-	2-21000-7	SCR, SKT HD CAP 8-32 X .500	53
-	1	1	1	1	-	21018-5	NUT, HEX, REG 6-32	52
-	1	1	1	1	-	811242-2	BUMPER, HOLD DOWN	51
-	1	1	1	1	-	690753-1	SPACER, TONKER	50
-	-	-	-	-	...	690602-6	CAM, PRE FEED, 1 5/8	49
-	-	-	-	-	...	690602-5	CAM, PRE FEED, 1 1/8	48
-	-	-	-	-	...	690501-4	CAM, POST FEED, 1 5/8	47
-	1	1	1	1	-	459456-1	APPL. BASIC SUB ASSY (SIDE WISE MOCA)	46
-	1	1	1	1	-	690191-1	PLUG, NYLON	45
-	1	1	1	1	-	455673-1	RAM, SIDE FEED	44
-	1	1	1	1	-	690125-1	SHIM SUB-ASSY	43
-	1	1	1	1	-	690124-1	WASHER, RAM (.115)	42
-	1	1	1	1	-	7-21002-9	SCR, BTN SKT HD CAP 5/16-24 X 1.00	41
-	1	1	1	1	-	23241-6	BALL, STEEL	40
-	1	1	1	1	-	690170-1	SPRING, COMPRESSION	39
-	1	1	1	1	-	690142-4	DISC, INSULATION	38
-	1	1	1	1	-	354777-1	WIRE DISC, ASSEMBLY	37
-	1	1	1	1	-	22480-5	SPRING, COMPRESSION	36
-	1	1	1	1	-	690212-1	POST, RAM	35
-	1	1	1	1	-	690786-3	TERMINAL SUPPORT	34
-	2	2	2	2	-	2-21002-4	SCR, BTN SKT HD CAP 8-32 X .750	33
-	1	1	1	1	-	21024-5	WASHER, SPRG LOCK, REG NO 10	32
-	1	1	1	1	-	3-21000-4	SCR, SKT HD CAP 10-32 X .375	31
-	1	1	1	1	-	1-1320908-7	SPACER, STRIP GUIDE	30
-	1	1	1	1	-	1633091-1	ASSEMBLY, STRIP GUIDE	29
-	1	1	1	1	-	1-455888-0	SPACER, CRIMPER	28
-	1	1	1	1	-	1320928-1	PLATE, STRIP GUIDE	24
-	1	1	1	1	-	690472-2	STRIPPER	22
-	1	1	1	1	-	2-21000-7	SCR, SKT HD CAP 8-32 X .500	21
-	4	4	4	4	-	21024-4	WASHER, SPRG LOCK, REG NO 8	20
-	-	-	-	-	...	691353-1	STRIPPER	19
△	1	1	1	1	-	679625-1	SHEAR HOLDER, FRONT (NO CUT)	13
△	1	1	1	1	-	3-22280-3	SPRING, COMPRESSION	12
△	1	1	1	1	-	690461-1	STOP, SHEAR	11
△	-	-	-	-	...	690459-1	SHEAR HOLDER, FRONT	10
△	1	1	1	1	-	462006-1	FLOATING SHEAR, FRONT	9
△	1	1	1	1	-	1-1633544-4	ANVIL, COMBINATION	8
-	-	-	-	-	...	-	-	7
-	-	-	-	-	...	-	-	6
-	1	1	1	1	-	2-455889-0	DEPRESSOR, SHEAR	5
-	1	1	1	1	-	3-238011-7	BLOCK, CRIMPER SPACER	4
△	1	1	1	1	-	7-1633471-4	CRIMPER, INSULATION F	3
△	1	1	1	1	-	455888-2	SPACER, CRIMPER	2
△	1	1	1	1	-	1633169-6	CRIMPER, WIRE, SPECIAL	1

DIMENSIONS:		TOLERANCES UNLESS OTHERWISE SPECIFIED:	
INCHES	0 PLC ±.01	1 PLC ±.01	2 PLC ±.01
	3 PLC ±.001	4 PLC ±.0001	ANGLE

REV	DESCRIPTION	DATE	BY	APPV
A	RELEASED	17MAR2008	MEH	TE

REV	DESCRIPTION	DATE	BY	APPV
A	RELEASED	17MAR2008	MEH	TE

REV	DESCRIPTION	DATE	BY	APPV
A	RELEASED	17MAR2008	MEH	TE