

THIS DRAWING IS UNPUBLISHED. RELEASED FOR PUBLICATION
 © COPYRIGHT - BY TYCO ELECTRONICS CORPORATION. ALL RIGHTS RESERVED.

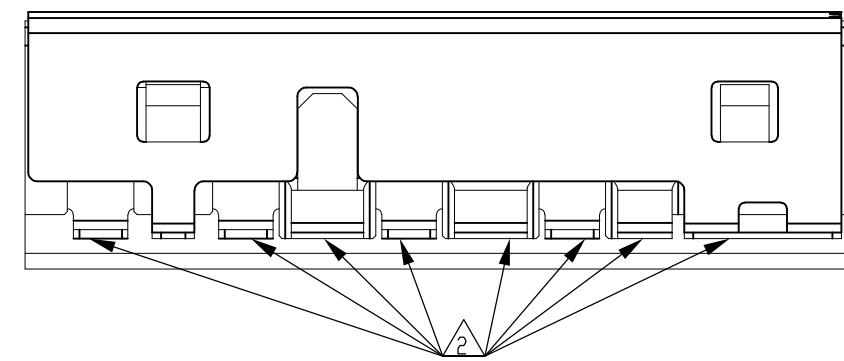
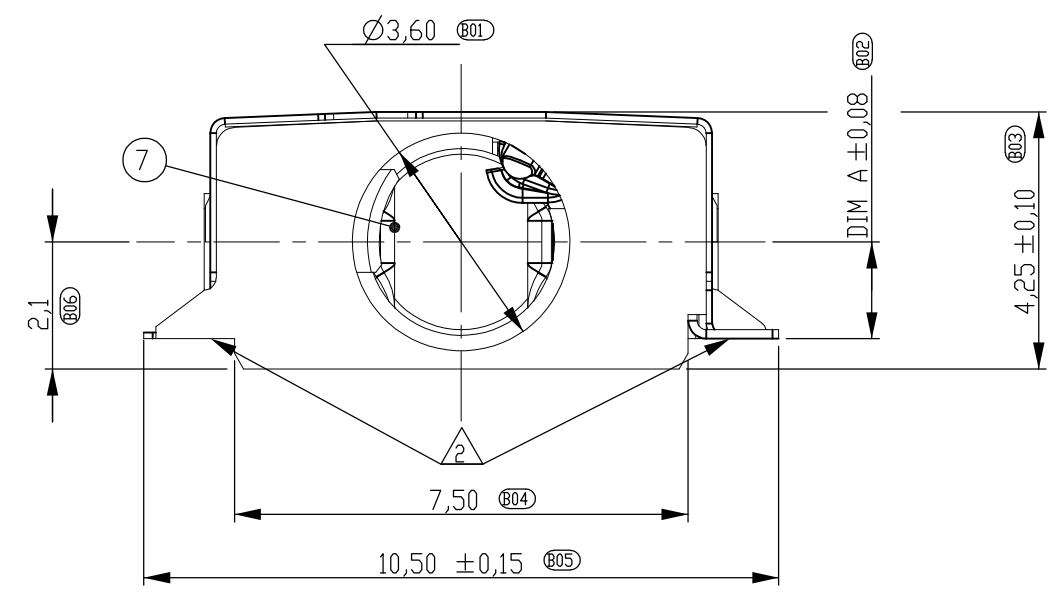
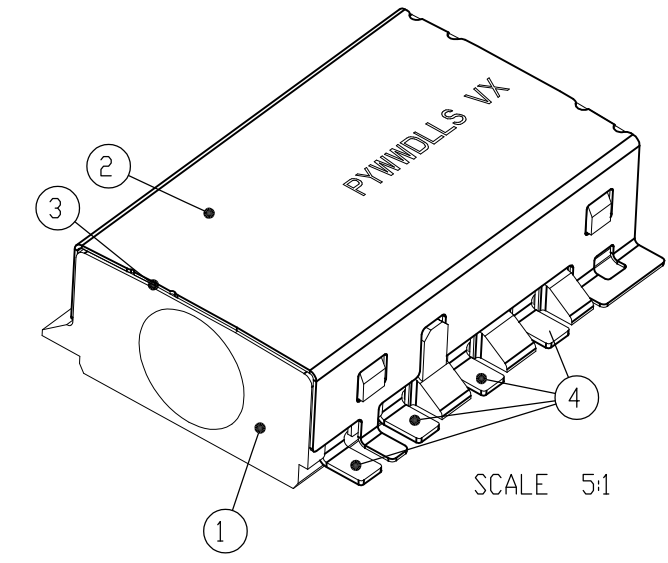
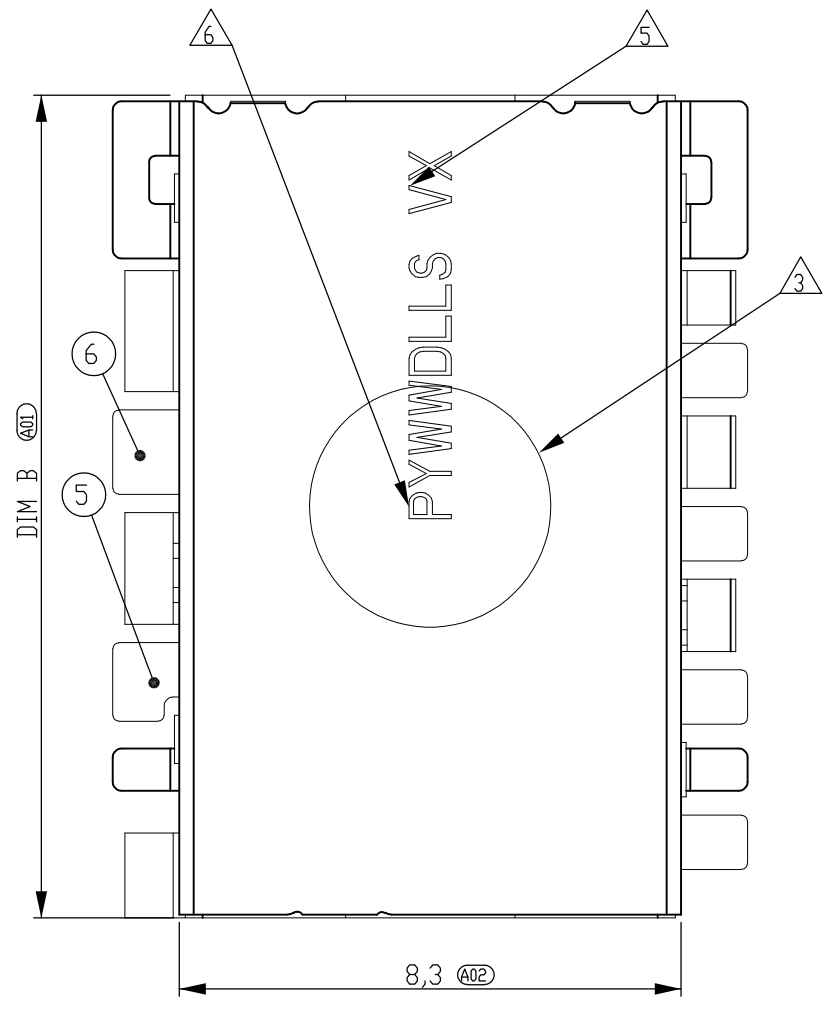
LOC H DIST -

REVISIONS				
P	LTR	DESCRIPTION	DATE	APVD
	A	REVISED(PCR-16-002837)	28JUN2016	A.X H.W

PRELIMINARY PART
 NOT RELEASED FOR PRODUCTION
 THIS PRODUCT HAS NOT COMPLETED
 VALIDATION TESTING

NOTES:

- 1 PART NUMBER 2173377-6 AS SHOWN.
- 2 COPLANARITY OF SOLDER SURFACES AND HOUSING NOTCHES 0,08 MAX.
- 3 PICK AND PLACE AREA.
- 4 PLATING:
 UNDER LAYER: 1,2 µm MIN. NICKEL
 CONTACT AREA: 0,1 µm MIN. GOLD
 SOLDER AREA: FLASH GOLD or 2,0 µm MIN. TIN.
- 5 VERSION CODE.
- 6 MARKING: P=PRODUCTION LOCATION, Y=YEAR, WW=WEEK, D=DAY, LL=PRODUCTION LINE, S=SHIFT.
- 7 PACKAGING IN EIA 481-D; 850 PRODUCTS PER REEL
 REEL DIMENSION: 380 DIA.



OBSOLETE

PART NUMBER	DIM A	DIM B	REMARK
2173377-8	1,40		MIDMOUNT CONNECTOR
2173377-7	1,50		MIDMOUNT CONNECTOR
2173377-6	1,60	13,6	MIDMOUNT CONNECTOR
2173377-5	1,70		MIDMOUNT CONNECTOR
2173377-4	1,80		MIDMOUNT CONNECTOR
2173377-3	1,90		MIDMOUNT CONNECTOR
2173377-2	2,00		MIDMOUNT CONNECTOR
2173377-1	2,15	13,6	TOP MOUNT CONNECTOR

DIM "B" 13,6 MIN - 14,5 MAX

ITEM NO.	DESCRIPTION	MATERIAL	FINISH
7	EXTRACTION SPRING	STAINLESS STEEL	-
6	SWITCH CONTACT	CU ALLOY	NOTE 4
5	PLUG DETECTION CONTACT	CU ALLOY	NOTE 4
4	AV SIGNAL CONTACT	CU ALLOY	NOTE 4
3	FOAM TAPE	MULTI LAYER	-
2	SHIELD	STAINLESS STEEL	NOTE 4
1	HOUSING	PA	-

THIS DRAWING IS A CONTROLLED DOCUMENT.

DIMENSIONS:	TOLERANCES UNLESS OTHERWISE SPECIFIED:
mm	
0 PLC	±0,20
1 PLC	±0,10
2 PLC	±0,05
3 PLC	±
4 PLC	±
ANGLES	±2
MATERIAL	FINISH
-	-

DWN	J. Hoek	12 DEC 2011
CHK	S. Zwartkruis	12 DEC 2011
APVD	D. Haberstadt	12 DEC 2011
PRODUCT SPEC	108-19439	
APPLICATION SPEC	-	
WEIGHT	0,65 g	
CUSTOMER DRAWING		

TE TE Connectivity

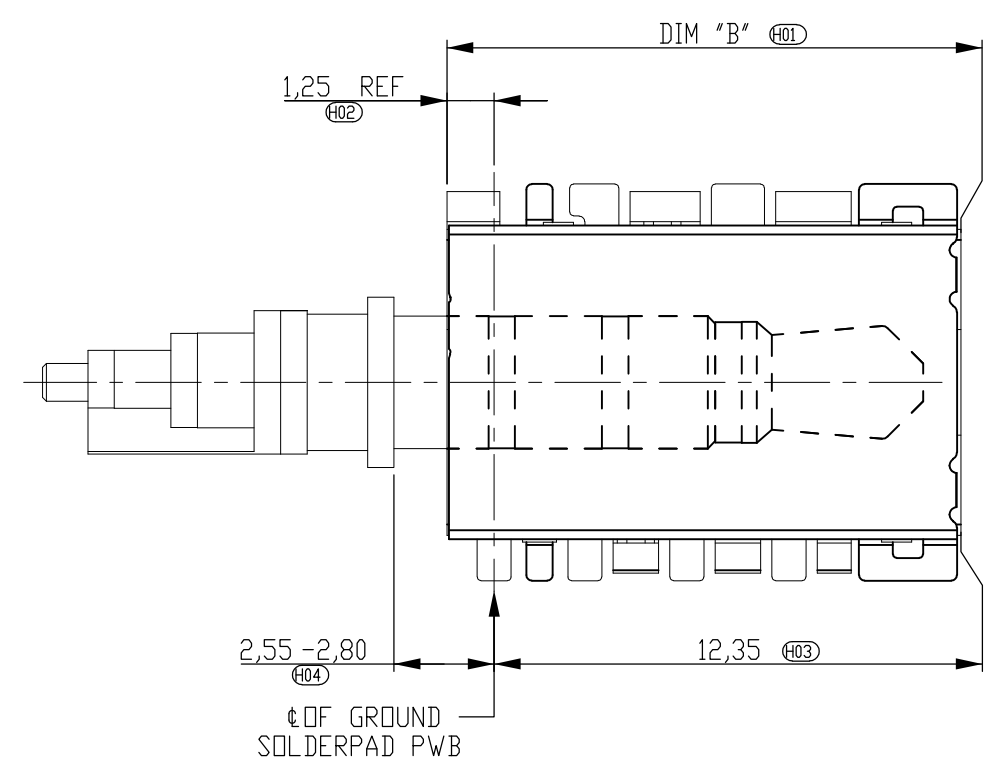
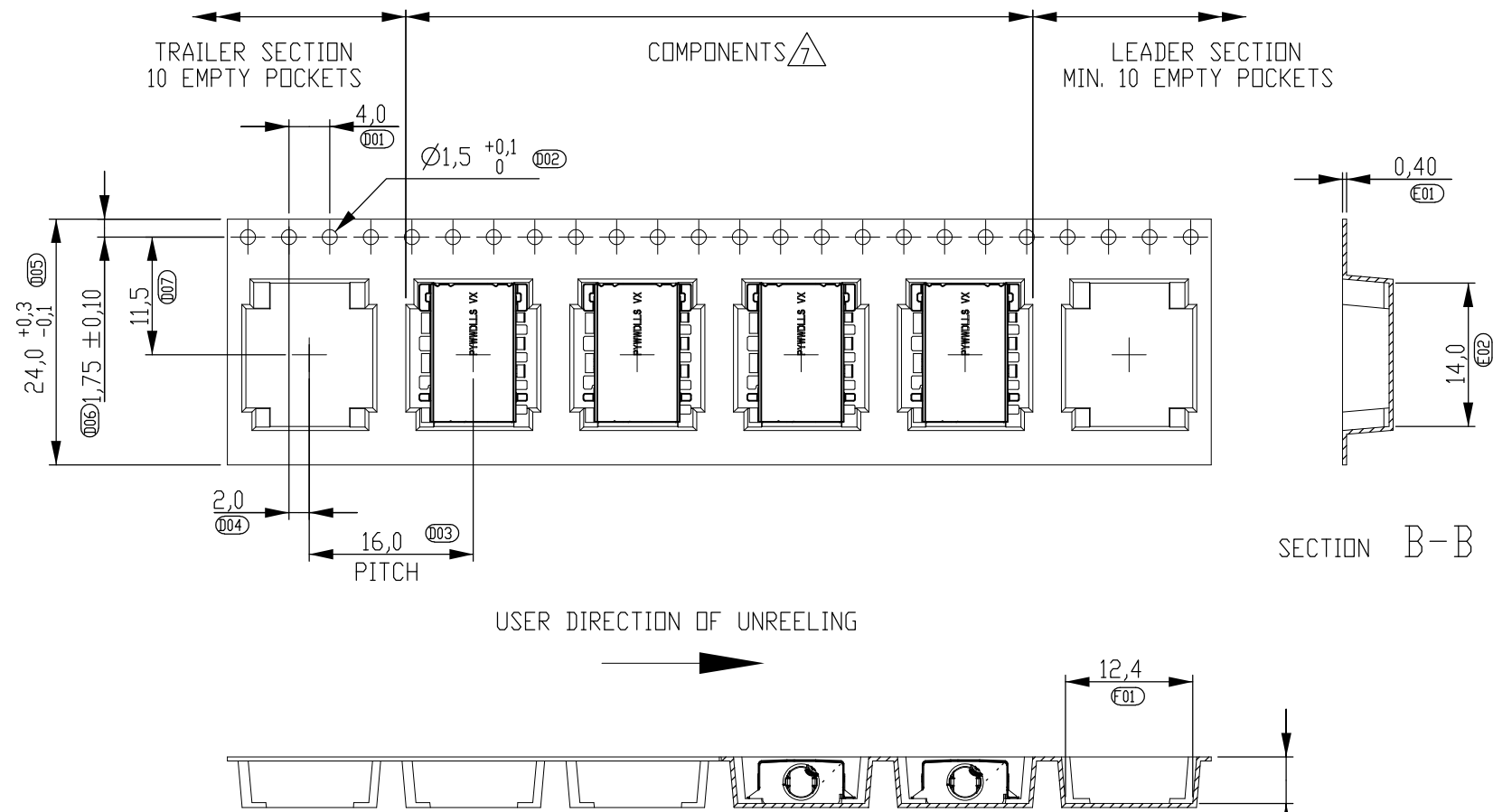
NAME: 3.5 mm AV SMD SPLASH PROOF SCALABLE HEIGHT

SIZE	CAGE CODE	DRAWING NO	RESTRICTED TO
A3	00779	©-2173377	-

SCALE 8:1 SHEET 1 OF 2 REV A

THIS DRAWING IS UNPUBLISHED. RELEASED FOR PUBLICATION
 © COPYRIGHT - BY TYCO ELECTRONICS CORPORATION. ALL RIGHTS RESERVED.

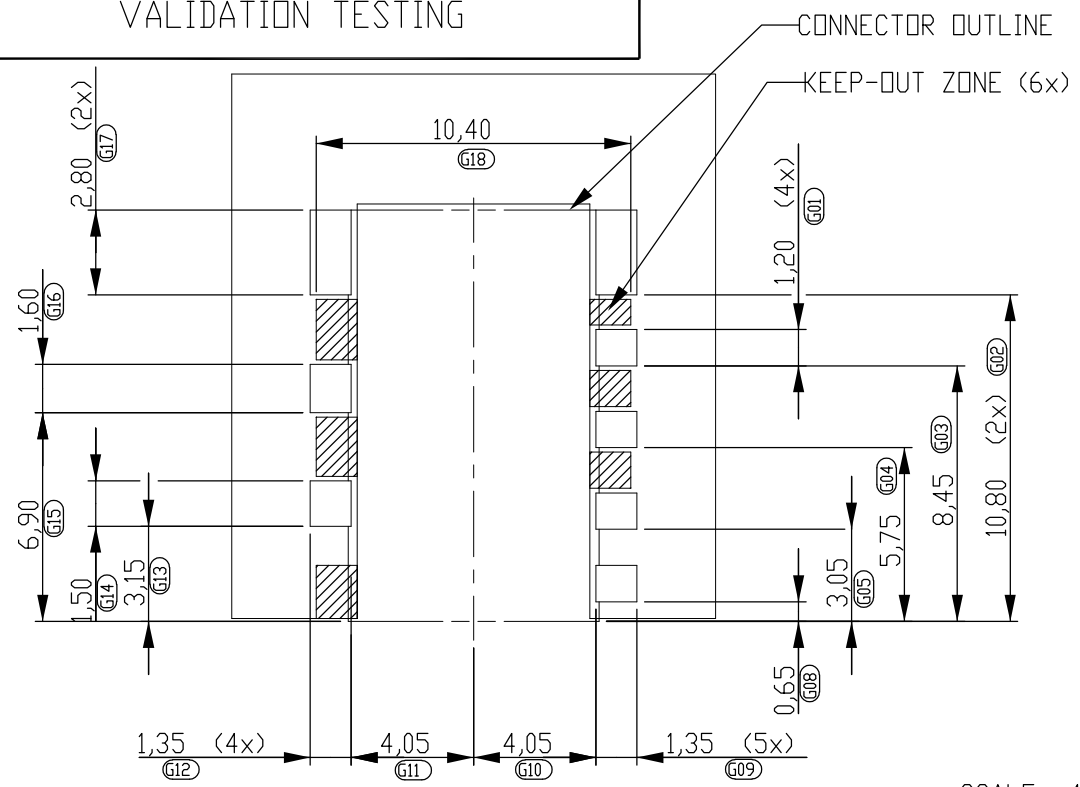
LOC	DIST	REVISIONS					
H	-	P	LTR	DESCRIPTION	DATE	DWN	APVD
		-	-	SEE SHEET 1	-	-	-



PRELIMINARY PART
 NOT RELEASED FOR PRODUCTION
 THIS PRODUCT HAS NOT COMPLETED
 VALIDATION TESTING

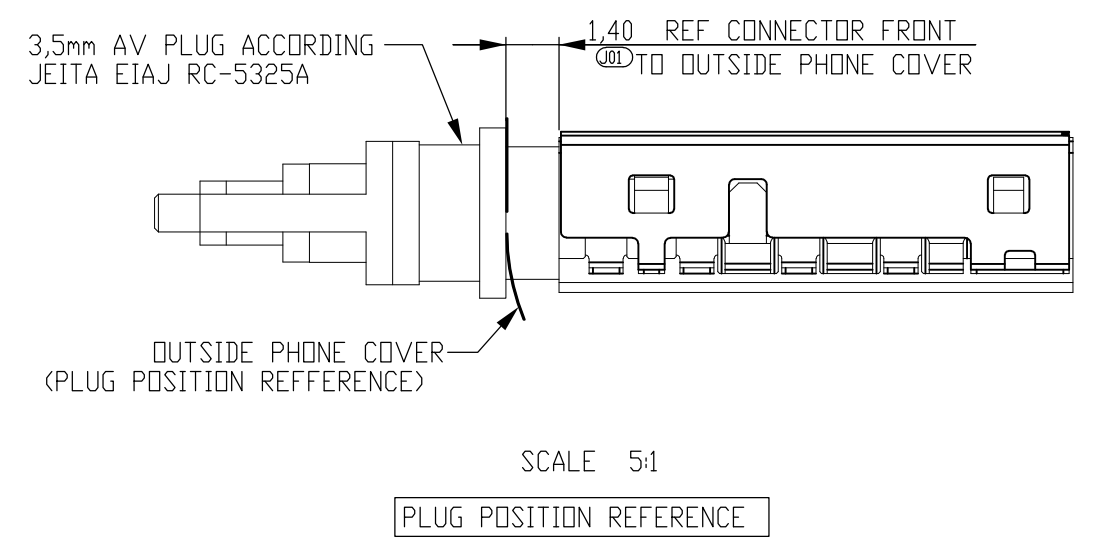
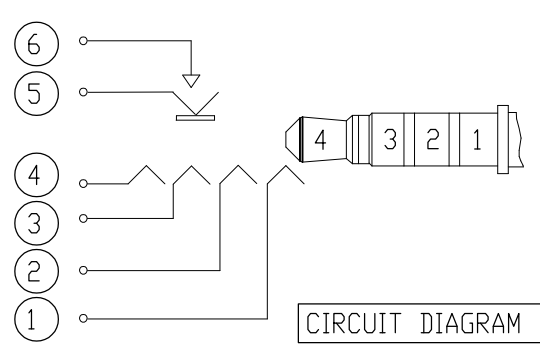
SCALE 3:2 SECTION A-A

PACKAGING



RECOMMENDED PWB LAYOUT

SCALE 4:1



SCALE 5:1
 PLUG POSITION REFERENCE

THIS DRAWING IS A CONTROLLED DOCUMENT.

DIMENSIONS:	TOLERANCES UNLESS OTHERWISE SPECIFIED:
mm	
0 PLC	±0,20
1 PLC	±0,10
2 PLC	±0,05
3 PLC	±
4 PLC	±
ANGLES	±2
MATERIAL	FINISH

DWN	12 DEC 2011
J. Hoek	
CHK	12 DEC 2011
S. Zwartkruis	
APVD	12 DEC 2011
D. Haberstadt	
PRODUCT SPEC	
APPLICATION SPEC	
WEIGHT	
RESTRICTED CUSTOMER	

TE Connectivity		NAME		RESTRICTED TO	
3.5 mm AV SMD MIDMOUNT		NOK			
SCALABLE HEIGHT					
SIZE	CAGE CODE	DRAWING NO			
A3	00779	C--			
SCALE	SHEET	OF	REV		
5:1	2	2	A		