


Antenna - PSI-GSM/UMTS-QB-ANT - 2313371

Please be informed that the data shown in this PDF Document is generated from our Online Catalog. Please find the complete data in the user's documentation. Our General Terms of Use for Downloads are valid (<http://phoenixcontact.com/download>)

GSM UMTS antenna, with omnidirectional characteristic, 2 m antenna cable with SMA round connector



Key Commercial Data

Packing unit	1 pc
GTIN	 4 046356 411066
GTIN	4046356411066

Technical data

Dimensions

Height	21 mm
Diameter	76 mm
Fixed cable length	2.00 m

Ambient conditions

Degree of protection	IP69K (Assembled)
Ambient temperature (operation)	-40 °C ... 85 °C

General

With connecting cable	yes
Frequency range	850 MHz
	900 MHz
	1800 MHz
	1900 MHz
	2100 MHz
Gain	5 dBi (800/900 MHz)
	3 dBi (1800/1900 MHz)
	1 dBi (2100 MHz)
Connection method	SMA (male)

Antenna - PSI-GSM/UMTS-QB-ANT - 2313371

Technical data

General

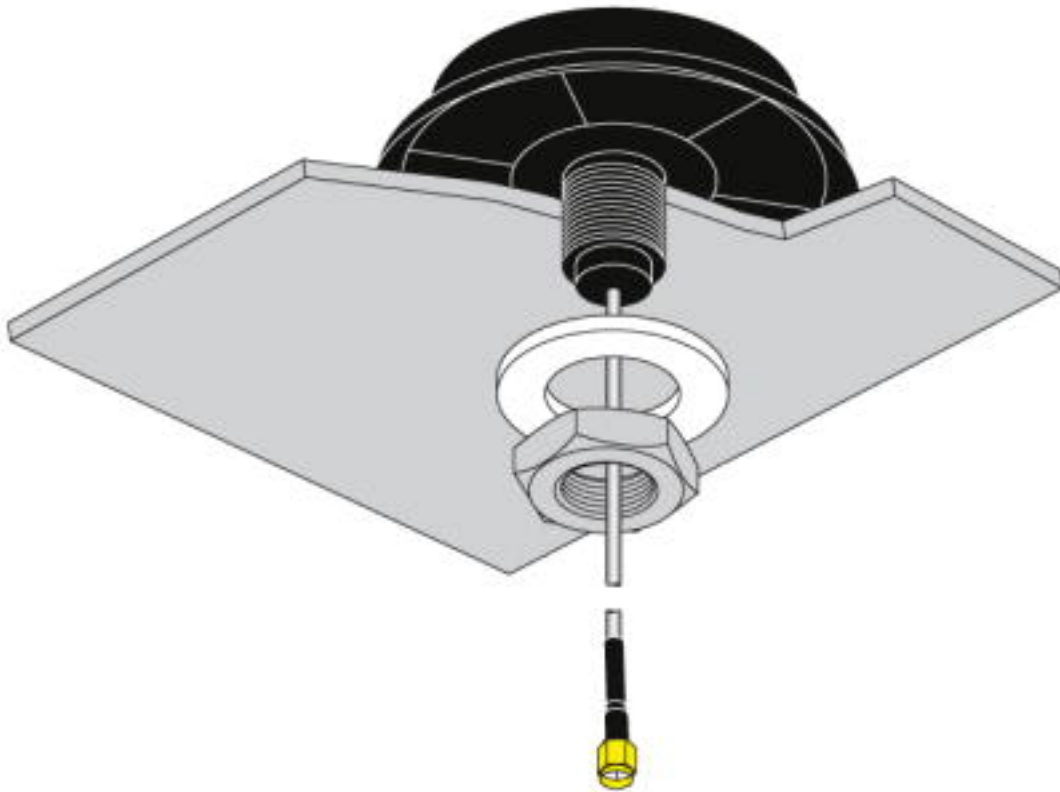
Fixed cable length	2.00 m
Mounting type	Control cabinet

Environmental Product Compliance

China RoHS	Environmentally friendly use period: unlimited = EFUP-e
	No hazardous substances above threshold values

Drawings

Schematic diagram



Mounting on the control cabinet

Approvals

Approvals

Approvals

EAC

Antenna - PSI-GSM/UMTS-QB-ANT - 2313371

Approvals

Ex Approvals

Approval details

EAC



EAC-Zulassung

Phoenix Contact 2019 © - all rights reserved
<http://www.phoenixcontact.com>

PHOENIX CONTACT GmbH & Co. KG
Flachmarktstr. 8
32825 Blomberg
Germany
Tel. +49 5235 300
Fax +49 5235 3 41200
<http://www.phoenixcontact.com>