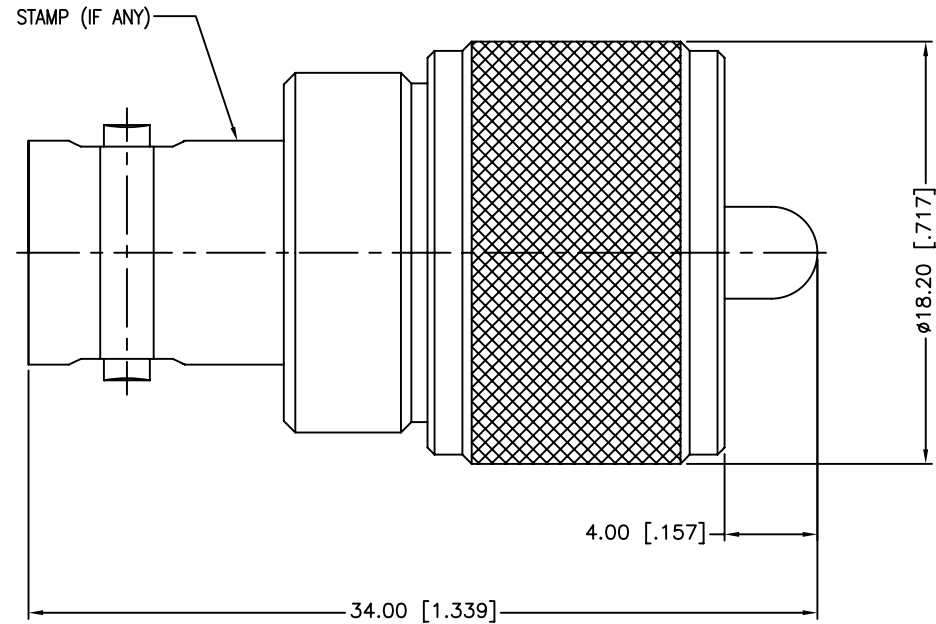


REV.	DATE	ECR NO.	DESCRIPTION
A	01/22/04	XXXXXX	UPDATE DRAWING FORMAT
B	05/20/11	2177	CHANGE THE PLATING OF BODY TO NICKEL



QTY	FINISH	MATERIAL	DESCRIPTION
1	NICKEL	BRASS	BODY
1	NATURAL	PTFE	INSULATOR
1	GOLD	PHOSPHOR BRONZE	CONTACT PIN (BNC)
1	GOLD	BRASS	CONTACT PIN (UHF)

<small>UNLESS OTHERWISE SPECIFIED DIMENSIONS ARE IN MILLIMETERS. DIMENSIONS IN [] ARE IN INCHES AND FOR CUSTOMER REFERENCE ONLY.</small> <small>UNLESS OTHERWISE SPECIFIED TOLERANCES FOR MILLIMETERS ARE:</small> 0.5 - 8mm ± 0.20mm 8 - 30mm ± 0.40mm 30 - 120mm ± 0.50mm <small>UNLESS OTHERWISE SPECIFIED TOLERANCES FOR INCHES ARE:</small> .020 - .315 = ± 0.007" .315 - 1.180 = ± 0.015" 1.180 - 4.724 = ± 0.020" DO NOT SCALE DRAWING	APPROVALS	DATE	
	DRAWN	M.ZHANG	05/20/11
	CHECKED		
	ISSUED		
	SHEET	1 OF 1	
CAD FILE	C:/CONNEX/242164.DWG		

<h1>Amphenol Connex</h1>			
PART DESCRIPTION			
BNC FEMALE TO UHF MALE ADAPTOR			
PART NO.			
242164			
DWG. NO.	242164.DWG	REV.	B
SIZE	A	SCALE	NA