

EMP Protector 3400.17.0410

Description

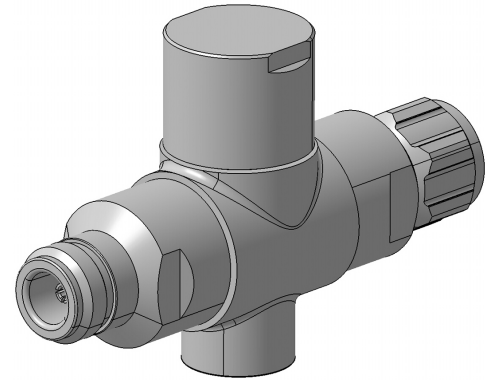
Quarter-wave stub technology

Benefits

Broad-band design

The protector can also be installed reversely

Compliant to IEC 61643-21



Product Configuration

Main path connectors Port 1: unprotected, N plug (male) - Port 2: protected, N jack (female)
Mounting and grounding M8 (screw), brk (bracket)

Technical Data

Electrical Data

Impedance 50 Ω
Frequency range 2000 - 6000 MHz
Return loss ≥ 20 dB
Insertion loss ≤ 0.2 dB
RF CW power ≤ 300 W
PIM 3rd order not specified

Surge current handling capability 50 multiple kA (test pulse 8/20 μ s)
Residual pulse energy 0.4 μ J typically (test pulse 4 kV 1.2/50 μ s / 2 kA 8/20 μ s) main path - protected side

Mechanical Data

Number of matings 500
Weight 290 g

Environmental Data

Operating temperature -40 $^{\circ}$ C to +85 $^{\circ}$ C
Waterproof degree IP65 (according to IEC 60529, data refer to the coupled state)
2011/65/EU (RoHS - including 2015/863 and 2017/2102) compliant

Material Data

Piece Parts	Material	Surface Plating
Housing	Brass	SUCOPLATE (R) Plating
Port 1 center contact	Brass	Gold Plating (without Nickel underplating)
Port 2 center contact	Copper Beryllium Alloy	Gold Plating (without Nickel underplating)

Related Documents

Outline drawing DOU-00064125.1
Mounting instruction DOC-0000176104