

THIS DRAWING IS UNPUBLISHED.

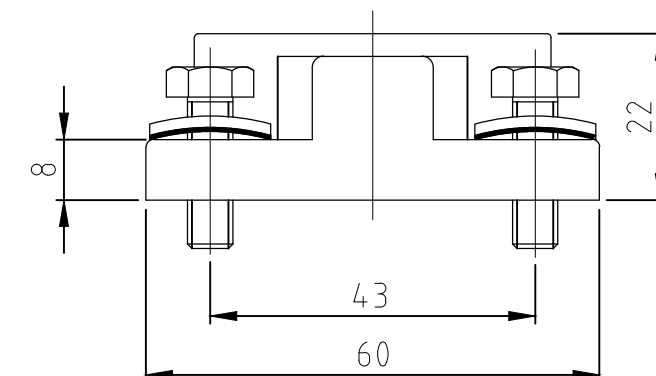
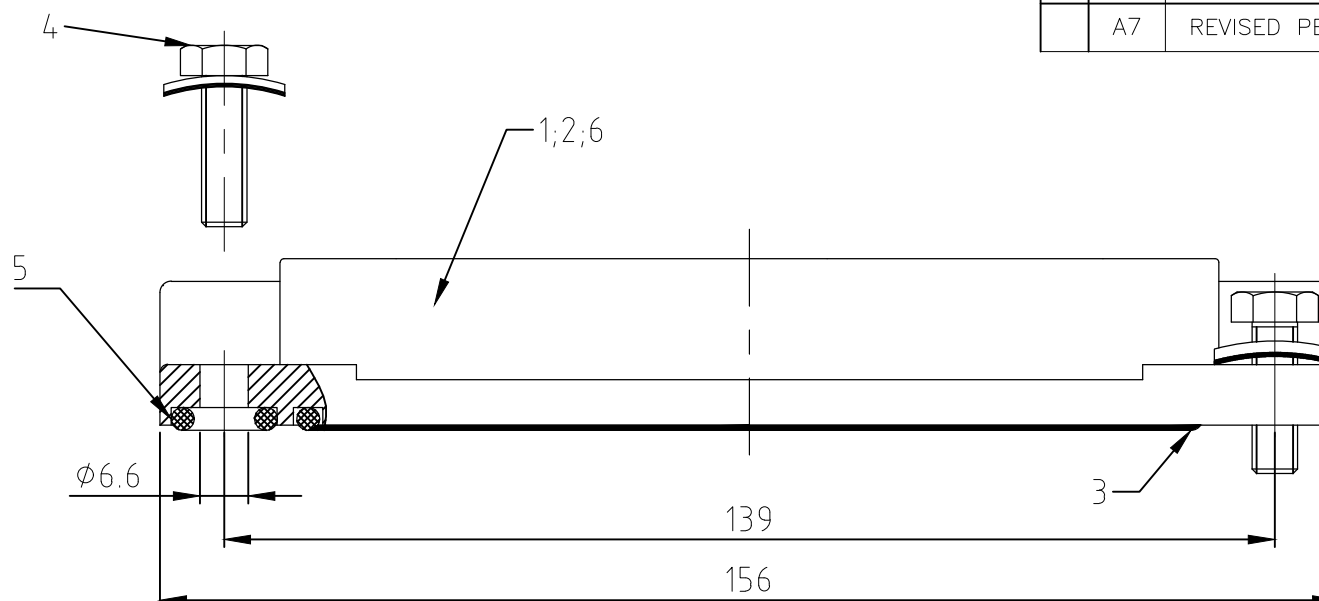
RELEASED FOR PUBLICATION

REVISIONS

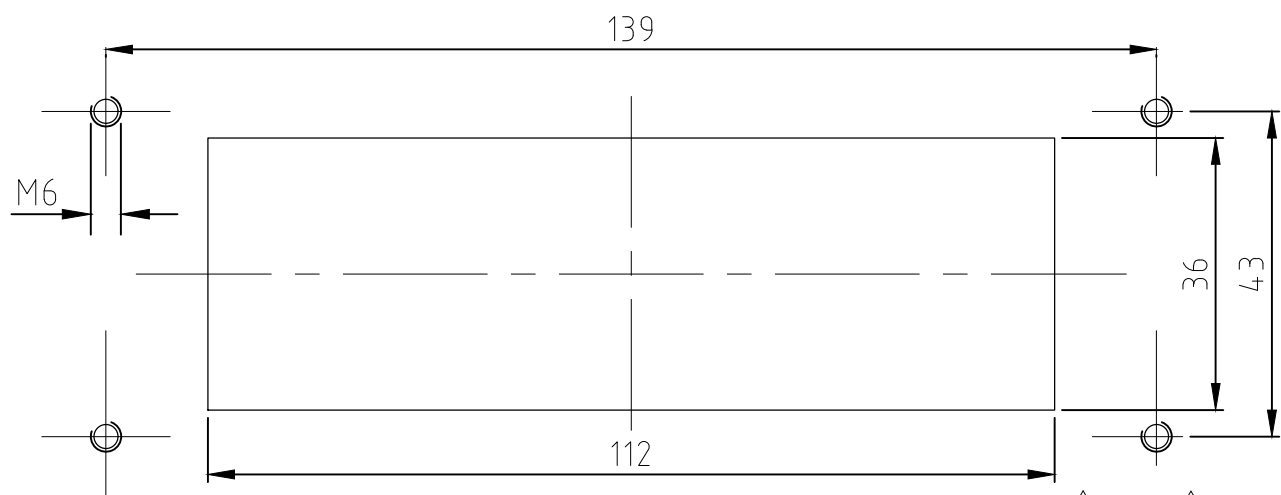
© COPYRIGHT - TE Connectivity

ALL RIGHTS RESERVED.

P	LTR	DESCRIPTION	DATE	DWN	APVD
	A7	REVISED PER ECR-17-014011	31JAN2018	SRG	MKO



Panel cut-out
Montageausschnitt



QTY	DESCRIPTION / BENENNUNG	MATERIAL	SURFACE / OBERFLÄCHE	COLOR / FARBE	ITEM NO. Pos.	NOTES / BEMERKUNGEN
1	Anbaugehäuse EMV-K/ surface mounted housing bottom entry	aluminium/ALU	SEE NOTE 2	black/schwarz	6	Without HTS characters
4	O-Ring/O-ring	Neoprene		black/schwarz	5	Ø7x3
4	Dichtschaube mit U-Scheibe/ sealing screw with U-pane	V2A/stainl. steel	blank/even		4	M6x20
1	Dichtung Bg8/seal	Neoprene		black/schwarz	3	leitfähig/conductiv
1	Anbaugehäuse EMV-K/ surface mounted housing bottom entry	aluminium/ALU	SEE NOTE 2	black/schwarz	2	
1	Anbaugehäuse EMV/ surface mounted housing bottom entry	aluminium/ALU		grey/grau	1	

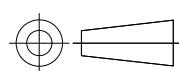
- Notes:
- 1 Material: Housing: aluminium diecasting alloy
Seals: Neoprene conductiv
 - 2 Surface: Varnisch- grey
- chromitAL TCP passivation
Varnisch black
 - 3 Varnisch on the inside not necessarily
 - 4 OBSOLETE

- Bemerkungen:
- 1 Material: Gehäuse: Alu-Druckguß-Legierung
Dichtungen: Neoprene leitfähig
 - 2 Oberfläche: Lackierung - grau
- chromitAL TCP passivation
Lackierung schwarz
 - 3 Lackierung im Gehäuseinnere ist nicht notwendig

THIS DRAWING IS A CONTROLLED DOCUMENT.

DIMENSIONS:

mm



TOLERANCES UNLESS OTHERWISE SPECIFIED:
GENERAL TOLERANCES
n. ISO 8015
n. ISO 2768 - mH-E
n. DIN 16901 - 14.0

0 PLC ±
1 PLC ±
2 PLC ±
3 PLC ±
4 PLC ±
ANGLES ±
FINISH ±

MATERIAL

1

FINISH

2

DWN Schneider 19.11.2002

CHK Schweiger 19.11.2002

APVD

PRODUCT SPEC

APPLICATION SPEC

WEIGHT 0.000000

CUSTOMER DRAWING

STE TE Connectivity

Surface Mounted Housing Bottom Entry
Anbaugehaeuse EMV.24/64.AG.M6

SIZE	CAGE CODE	DRAWING NO	RESTRICTED TO
A3	00779	C-1102736	

SCALE 1:1 SHEET 1 OF 1 REV A7