

THIS DRAWING IS UNPUBLISHED.


RELEASED FOR PUBLICATION

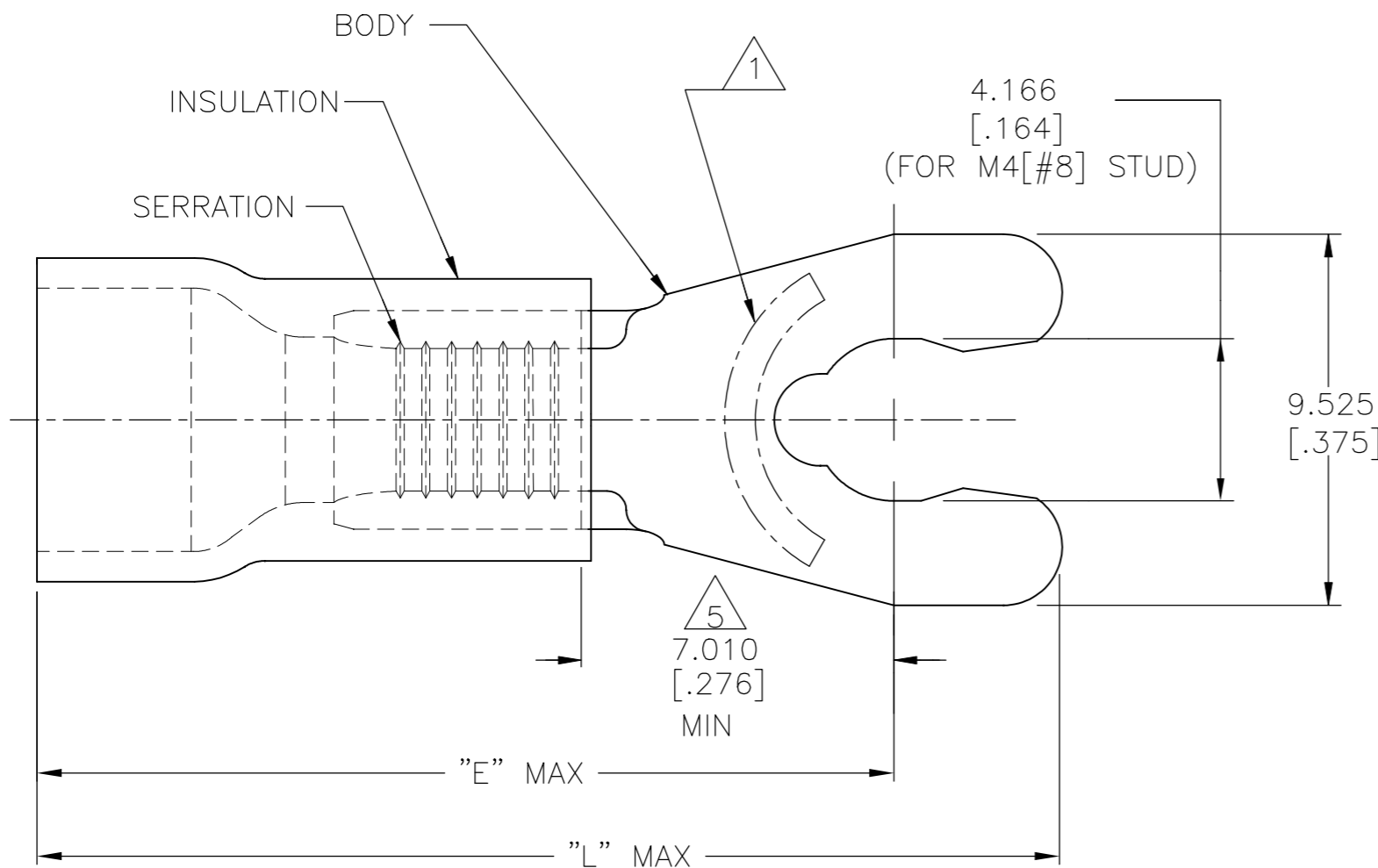
© COPYRIGHT - TE Connectivity Ltd.

ALL RIGHTS RESERVED.

REVISIONS

P	LTR	DESCRIPTION	DATE	DWN	APVD
N		REV PER 0G3A-0668-04	24AUG04	JR	TM
N1		REVISED PER ECO-17-014338	28MAR2018	RS	DR
N2		REVISED PER ECO-18-015550	04OCT2018	RS	DR

<b>AMP</b> WIRE RANGE	 Listed FILE E13288
12-10 AWG SOLID OR STRANDED	12 AWG STRANDED



- 1 STAMP 8S AMP 12-10\* APPROX AS SHOWN
- 2 SEE TABLE FOR WIRE INSUL DIA
- 3 BODY MATL THK, 1.016±.051[.040±.002]
- 4 MATERIAL: BODY - BRASS PER ASTM B36  
INSULATION - PVC.
- 5 APPLIES FROM CENTER OF STUD HOLE TO  
EDGE OF METAL WIRE BARREL

28.219 [1.111]	23.774 [.936]	6.350-7.620 [.250-.300]	1500	ON TAPE, REEL	52962-3
28.219 [1.111]	23.774 [.936]	6.350-7.620 [.250-.300]	500	LOOSE PIECE	52962-2
26.721 [1.052]	22.276 [.877]	2.667-5.080 [.105-.200]	2500	ON TAPE, REEL	52962-1
26.721 [1.052]	22.276 [.877]	2.667-5.080 [.105-.200]	500	LOOSE PIECE	52962
L	E	WIRE INSUL DIA	QTY	PACKAGE TYPE	PART NO

AMP INCORPORATED  
CUSTOMER SERVICE SYSTEMS

MAX RECOMMENDED OPERATING  
TEMPERATURE:

105°C [221°F]

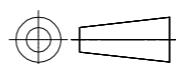
VOLTAGE RATING:  
600V MAX  
(1000V FIXTURE OR SIGN)

CIRCULAR MIL AREA:  
2.62-6.64mm² [5,180-13,100]  
SOLID OR STRANDED

THIS DRAWING IS A CONTROLLED DOCUMENT FOR  
AMP INCORPORATED. IT IS SUBJECT TO CHANGE  
AND THE CONTROLLING ENGINEERING ORGANIZATION  
SHOULD BE CONTACTED FOR THE LATEST REVISION.

THIS DRAWING IS A CONTROLLED DOCUMENT.

DIMENSIONS:  
mm [INCHES]



TOLERANCES UNLESS  
OTHERWISE SPECIFIED:

0 PLC	± -
1 PLC	± -
2 PLC	± -
3 PLC	± 0.127[.005]
4 PLC	± -
ANGLES	± -

MATERIAL



FINISH  
BODY THK PER ASTM B545  
INSULATION: COLOR=YELLOW

DWN	L OLMEDA	26JUN95
CHK	M ELLIS	26JUN95
APVD	G NGO	26JUN95

PRODUCT SPEC

UL 486A-B

APPLICATION SPEC

114-2161

WEIGHT



TE Connectivity Ltd.

NAME  
TERMINAL, SPRING SPADE,  
SHORT, PLASTI-GRIP  
WIRE SIZE 12-10

SIZE	CAGE CODE	DRAWING NO	RESTRICTED TO
A3	00779	C-52962	-

CUSTOMER DRAWING

SCALE  
6:1

SHEET  
1 OF 1

REV  
N2